



INSTRUCTIONS

-J03082

REV. 2004-02-20

CHROME EFI COIL COVER KIT

GENERAL

Kit Number

74616-04

Models

This kit fits EFI (fuel injected) versions of 2001 and later Softail® and 2004 and later Dyna™ model motorcycles.

Additional Parts Required

NOTE

A Service Manual for your model motorcycle is available from your Harley-Davidson Dealer.

Kit Contents

See Figure 1 and Table 1.

INSTALLATION

WARNING

To prevent accidental vehicle start-up, which could cause death or serious injury, disconnect negative (-) battery cable before proceeding. (00048a)

1. Refer to the Owner's Manual and follow the instructions given to remove the seat and disconnect the negative battery cable. Retain all seat mounting hardware.
2. Note the position of each spark plug wire in the ignition coil, then disconnect the two wires. **If there is an existing coil cover**, remove and discard the coil-cover mounting screws and spacers. Remove and discard the coil cover.
3. Detach connector [83B] from the back side of the coil. Remove the two coil mounting screws and set aside.
4. See Figure 1. Position the rear coil cover (2) to the back side of the coil with the electrical connector protruding through the large opening.
5. Assemble the coil and rear cover to the motorcycle with the two screws removed in Step 3. Adjust the cover to center the coil towers in the notches in the side of the cover. Tighten the screws to 50 **in-lbs** (5.6 Nm).
6. Obtain the front coil cover (1), two spacers (3) and two chrome flat head screws (4) from the kit.
7. **For Dyna models only:** Also obtain the wear pad (6) from the kit. Peel the liner from the adhesive backing of the wear pad, and position the pad to the side of the front coil cover as shown, on the side closest to the electrical box.
8. **For ALL models:** Insert the screws through the mounting holes in the cover face, and place the spacers, countersunk end first, over the screw threads inside the front cover.

9. Install the cover over the coil so the coil towers fit into the notches in the side of the cover. Line up the chrome screws with the threaded holes in the rear cover, and fasten securely with the Allen wrench from the kit.
10. Connect the spark plug wires through the holes in the side of the coil cover onto the correct coil terminals.
11. Re-attach connector [83B] to the back side of the coil.
12. Refer to the Owner's Manual and follow the instructions given to re-attach the negative battery cable and install the seat.

WARNING

After installing seat, pull upward on seat to be sure it is locked in position. While riding, a loose seat can shift causing loss of control, which could result in death or serious injury. (00070b)

SERVICE PARTS

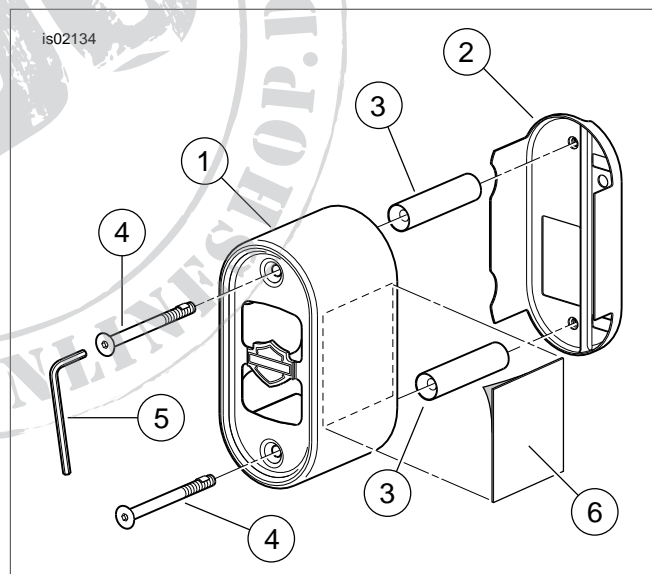


Figure 1. Service Parts: Chrome EFI Coil Cover Kit

Table 1. Service Parts: Chrome EFI Coil Cover Kit

Item	Description (Quantity)	Part Number
1	Cover, coil (front)	Not Sold Separately
2	Cover, coil (rear)	Not Sold Separately
3	Spacer, coil cover (2)	74650-04
4	Screw, flat head (chrome) (2)	74649-04
5	Allen wrench, 5/32 inch	Not Sold Separately
6	Wear pad	Not Sold Separately