



# INSTRUCTIONS

-J00974

REV. 6-27-03

Kit Number 74579-97

## SPORTSTER VOLTAGE REGULATOR COVER

### General

This kit fits 1985 to 2003 XL (Sportster®) models. There are no service parts in this kit.

#### NOTE

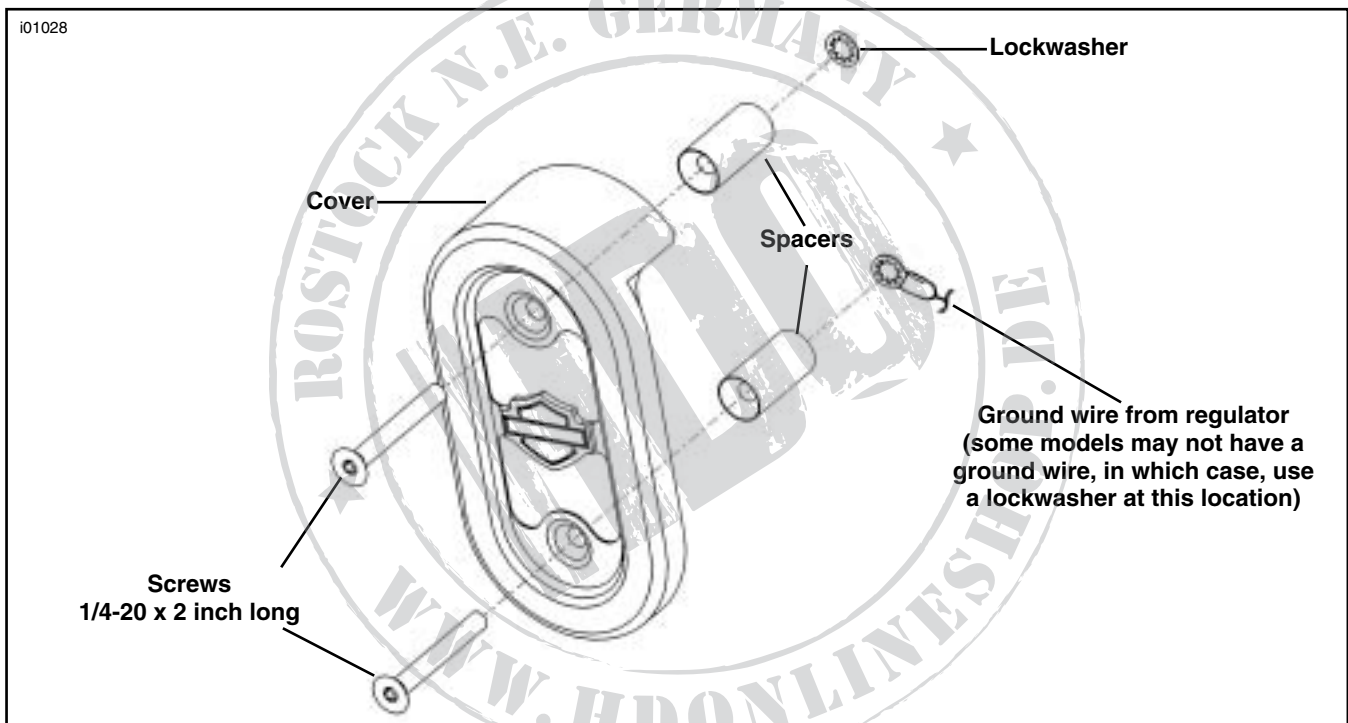
This voltage regulator cover cannot be used along with Front Spoiler, Part Number 58597-97, unless motorcycle is also equipped with a Sport or Cafe Front Fender, and a Sportster Regulator Cover Relocation Kit, Part Number 74568-98.

#### NOTE

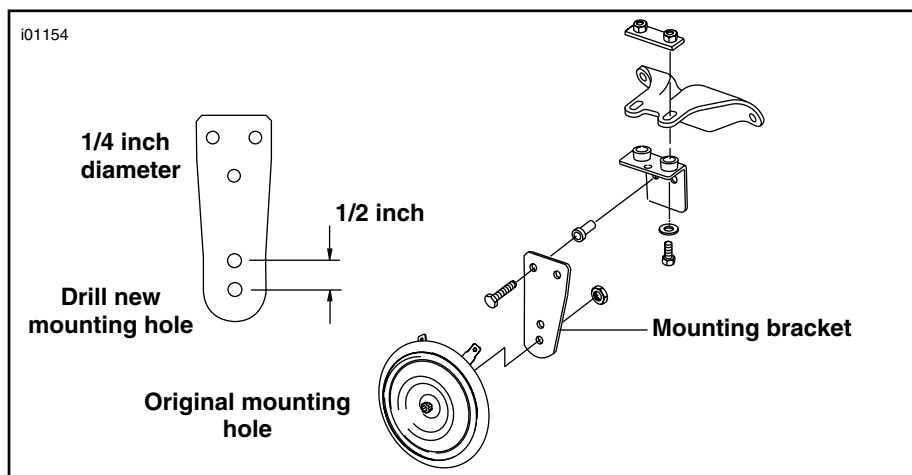
To provide clearance on models with front mounted horns (STD/HUG/1200S), it may be necessary to relocate the horn 1/2 inch higher. See Horn Relocation below.

### Installation

1. Remove regulator mounting screws and discard screws.
2. See Illustration. Reinstall regulator in original location with cover using hardware shown. Tighten mounting screws to 10-12 ft-lbs (13-16 Nm).



Regulator Cover Components



Relocating Horn 1/2 Inch Higher

### Horn Relocation

1. Remove electrical connectors from horn.
2. Remove nut that holds horn to mounting bracket and remove horn.
3. Remove screws that hold mounting bracket in place and remove bracket.
4. Drill a 1/4 inch diameter hole 1/2 inch above existing mounting hole.
5. Reinstall mounting bracket and horn with horn located in the new higher position.