



# INSTRUCTIONS

-J00548

REV. 11-1-00

Kit Number 74560-96

## CHROME INSTRUMENT BEZEL COVER KIT

### General

This kit is designed for installation on speedometer and tachometer gauges used on FLHT models from 1996- 1999 and FLTR models from 1998-1999.

*There are no serviceable parts in this kit.*

### Installation

#### NOTE

*Wipe dirt, oil and grease off of instrument bezel and bezel cover before applying double-sided tape or tape may not adhere well.*

1. Remove white paper from tape strip. (Leave brown paper in place.)
2. See Figure 1. Apply one adhesive tape strip around the inside surface of each cover in the area where the cover will meet with the outside surface of the gauge bezel. With brown paper still in place, press tape firmly to ensure adhesion to cover.
3. Quickly pull brown paper away from tape strips. A thin film of adhesive will remain on the inside of cover.

4. Press the instrument bezel covers (3) firmly onto instrument bezels.

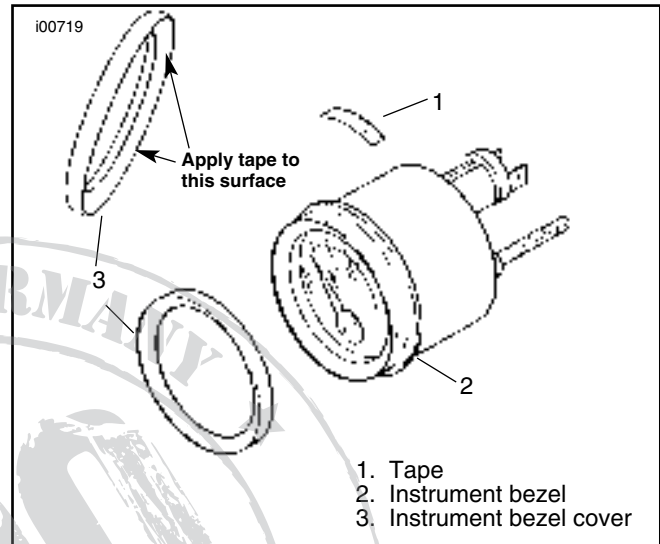


Figure 1. Chrome Instrument Bezel Installation



# INSTRUCTIONS

-J00548

REV. 11-1-00

Kit Number 74560-96

## CHROME INSTRUMENT BEZEL COVER KIT

### General

This kit is designed for installation on speedometer and tachometer gauges used on FLHT models from 1996- 1999 and FLTR models from 1998-1999.

*There are no serviceable parts in this kit.*

### Installation

#### NOTE

*Wipe dirt, oil and grease off of instrument bezel and bezel cover before applying double-sided tape or tape may not adhere well.*

1. Remove white paper from tape strip. (Leave brown paper in place.)
2. See Figure 1. Apply one adhesive tape strip around the inside surface of each cover in the area where the cover will meet with the outside surface of the gauge bezel. With brown paper still in place, press tape firmly to ensure adhesion to cover.
3. Quickly pull brown paper away from tape strips. A thin film of adhesive will remain on the inside of cover.

4. Press the instrument bezel covers (3) firmly onto instrument bezels.

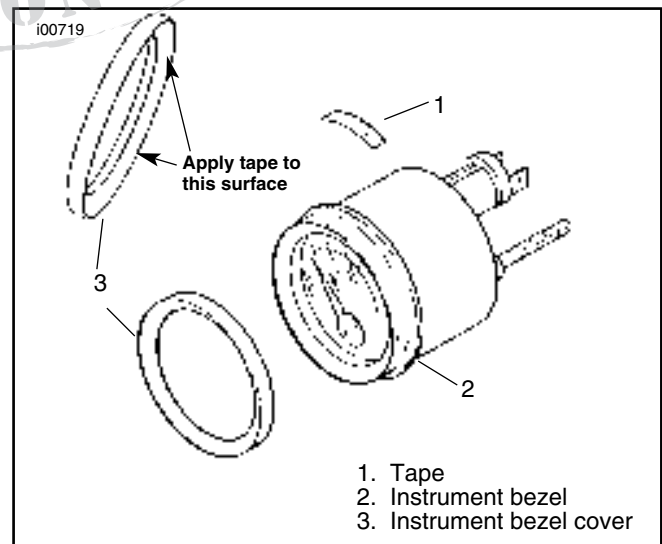


Figure 1. Chrome Instrument Bezel Installation