



# INSTRUCTIONS

-J00467

2006-06-16

## CHROME INSTRUMENT BEZEL COVER KIT

### GENERAL

#### Kit Number

74550-92T

#### Models

This kit is designed for installation on voltmeter, fuel gauge, oil pressure and air temperature gauges used on 1986 and later FLT and FLHT models.

#### Kit Contents

Table 1. Kit Contents

Quantity	Description
2	Chrome bezel cover
1	Adhesive tape, double-sided strip

There are no Service Parts available with this kit.

### INSTALLATION

#### NOTE

Using a 50:50 mixture of isopropyl alcohol and water, wipe dirt, oil and grease off of instrument bezel and bezel cover before applying double-sided tape or tape may not adhere well.

1. See Figure 1. Cut tape (1) into six equal pieces.
2. Remove paper liner from one side of tape and apply tape to front face of gauge pressing firmly into place. Space all three pieces equally.
3. Remove outer liner from tape.
4. Place bezel over gauge and press firmly into place.

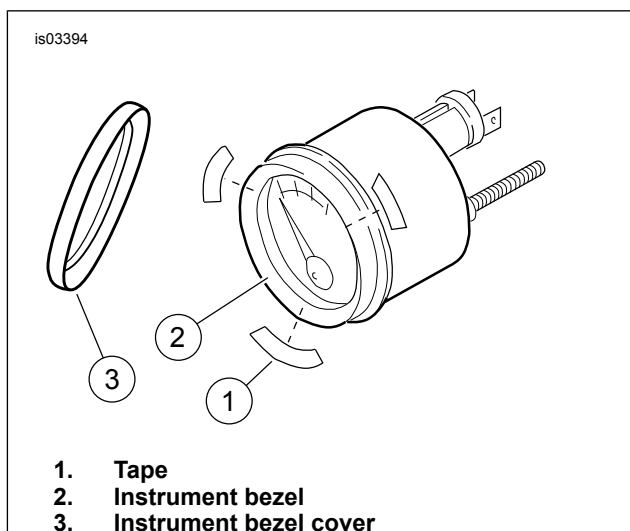


Figure 1. Chrome Instrument Bezel Installation

