



INSTRUCTIONS

-J01807

REV. 2006-04-26

VOLTAGE REGULATOR COVER KIT

GENERAL

Kit Number

74543-00

Models

This kit fits 1997 and later Electra Glide, Road Glide, and Road King models (except models with Oil Cooler part numbers 62868-99B, 62514-97, 62895-03A, 62823-97, or 26082-05A). Will not fit 2007 models with sidecar.

Kit Contents

See Figure 1 and Table 1.

There are no Service Parts available with this kit.

INSTALLATION

1. Remove regulator mounting locknuts and discard .
2. See Figure 1. Thread the spacers (1) onto the studs. Torque to 84-120 **in-lbs**.
3. Position the cover (2) over the spacers and fasten with 1/4-20 screws (3). Torque to 40-50 **in-lbs** (4.5-5.6 Nm).

SERVICE PARTS

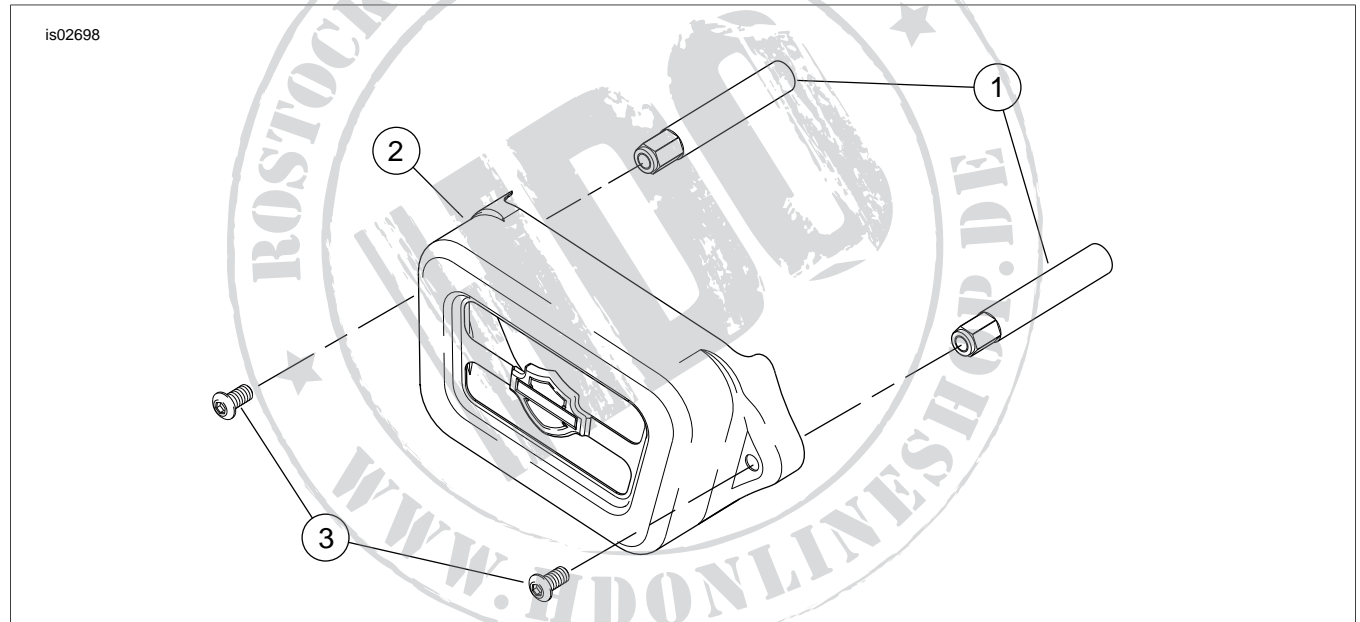


Figure 1. Service Parts: Voltage Regulator Cover Kit

Table 1. Service Parts Table

Item	Description (Quantity)	Part Number
1	Spacer (2)	Not Sold Separately
2	Cover	Not Sold Separately
3	Screw, 1/4-20, (2)	Not Sold Separately