



INSTRUCTIONS

-J01796

REV. 2006-03-21

INSTRUMENT GAUGE BEZEL COVER KIT

GENERAL

Kit Number

74541-00

Models

This kit is designed for installation on 2000 and later XL, Dyna® (except FXDWG), Electra Glide®, and Road Glide® model motorcycles.

Kit Contents

Table 1. Kit Contents

Quantity	Description
1	Chrome bezel cover
1	Adhesive tape, double-sided strip

INSTALLATION

NOTE

Using a 50:50 mixture of isopropyl alcohol and water, wipe dirt, oil and grease off of instrument bezel and bezel cover before applying double-sided tape or tape may not adhere well.

1. See Figure 1. Cut tape (1) into eight equal pieces.

2. Remove paper liner from one side of tape and apply tape to front face of gauge pressing firmly into place. Space all eight pieces equally.
3. Remove outer liner from tape.
4. Place bezel over gauge and press firmly into place.

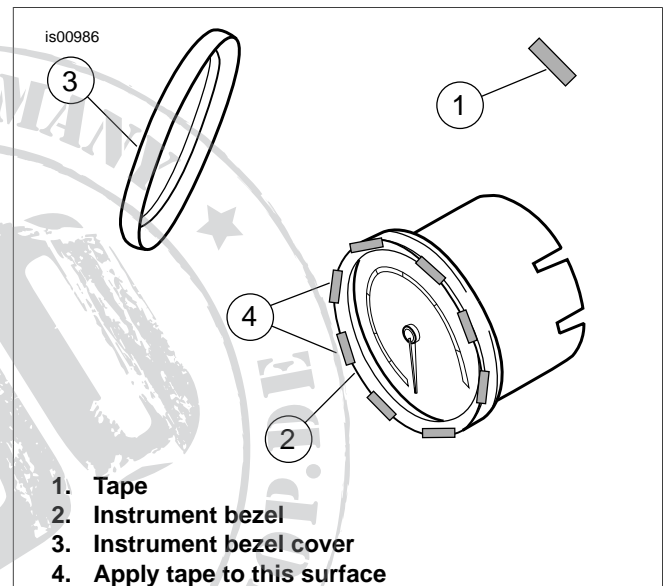


Figure 1. Chrome Instrument Bezel Installation