



# INSTRUCTIONS

-J04726

REV. 2008-11-18

## VOLTAGE REGULATOR COVER KIT

### GENERAL

#### Kit Number

74538-09

#### Models

For model fitment information, see the P&A Retail Catalog or the Parts and Accessories section of [www.harley-davidson.com](http://www.harley-davidson.com) (English only).

#### Kit Contents

See Figure 1 and Table 1.

There are no Service Parts available with this kit.

### INSTALLATION

1. Remove regulator mounting locknuts and discard .
2. See Figure 1. Thread the spacers (1) onto the studs. Torque to 84-120 **in-lbs**.
3. Position the cover (2) over the spacers and fasten with 1/4-20 screws (3). Torque to 40-50 **in-lbs** (4.5-5.6 Nm).

### SERVICE PARTS

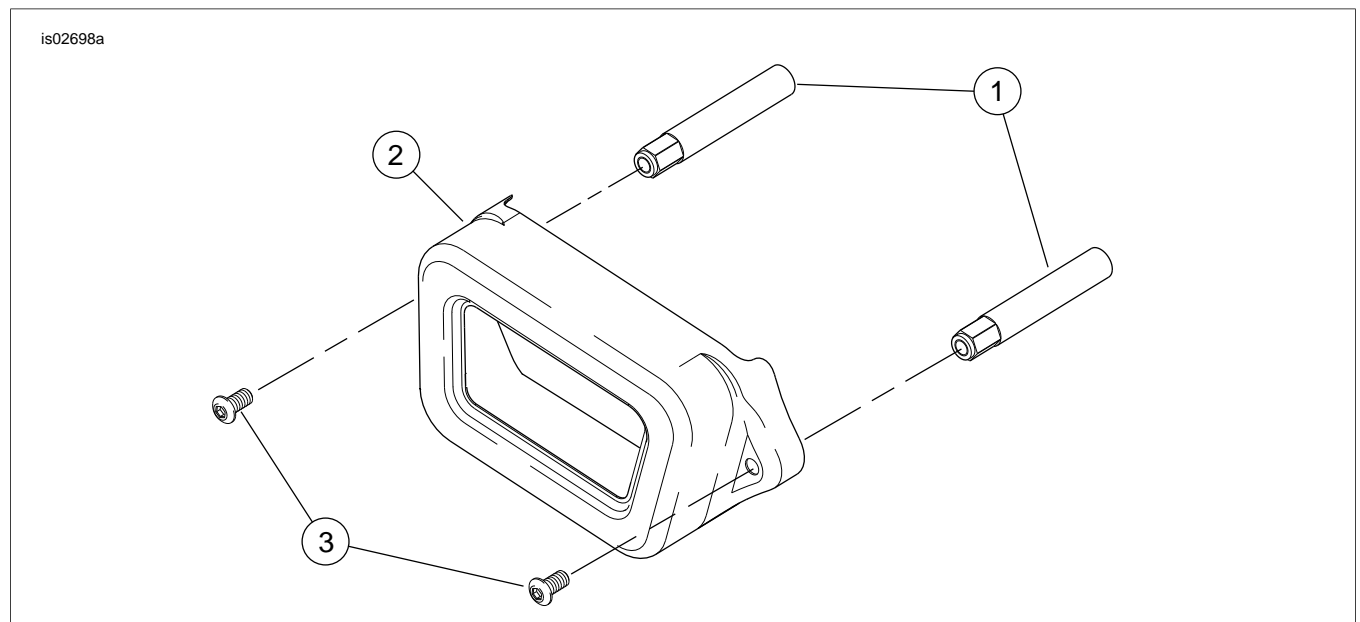


Figure 1. Service Parts: Voltage Regulator Cover Kit

Table 1. Service Parts Table

Item	Description (Quantity)	Part Number
1	Spacer (2)	Not Sold Separately
2	Cover	Not Sold Separately
3	Screw, 1/4-20, (2)	Not Sold Separately

