



INSTRUCTIONS

-J03682

REV. 2006-03-06

ROAD KING FORK LOCK COVER

GENERAL

Kit Number

71790-05

Models

This kit fits 1994 and later FLHR motorcycles.

Kit Contents

Table 1. Fork Lock Cover Parts

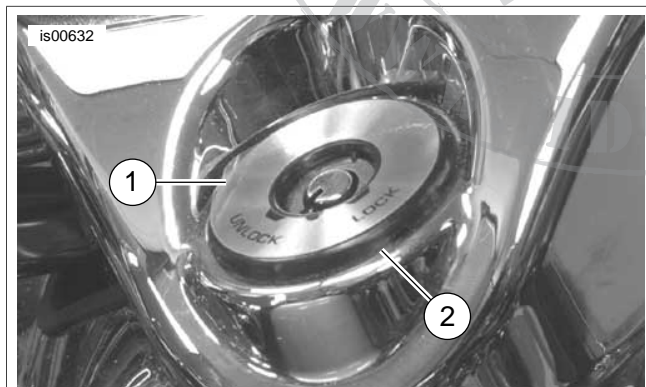
Item	Description (Quantity)	Part Number
1	Gasket	Not Sold Separately
2	Assembly, fork lock cover	Not Sold Separately
3	Screw, flat, hex socket (2)	4637
4	Flat spring	Not Sold Separately

NOTE

At least once a year, apply a small amount of oil to the lock cover pivot screw in the hinge of the assembly.

INSTALLATION

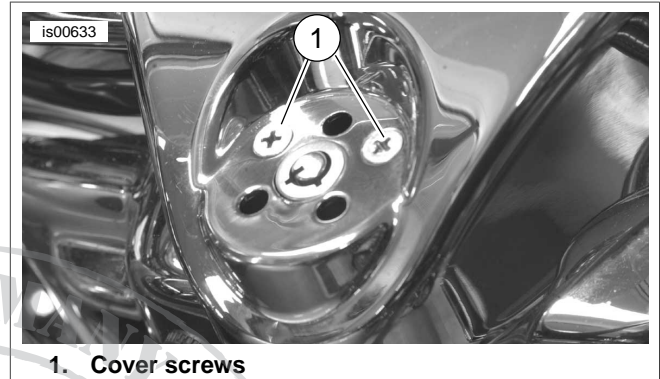
- See Figure 1. At the handlebar cover, carefully pry under black plastic area of the lock plate and remove the lock plate. Discard the lock plate.



- Lock plate
- Pry location

Figure 1. Remove Fork Lock Plate

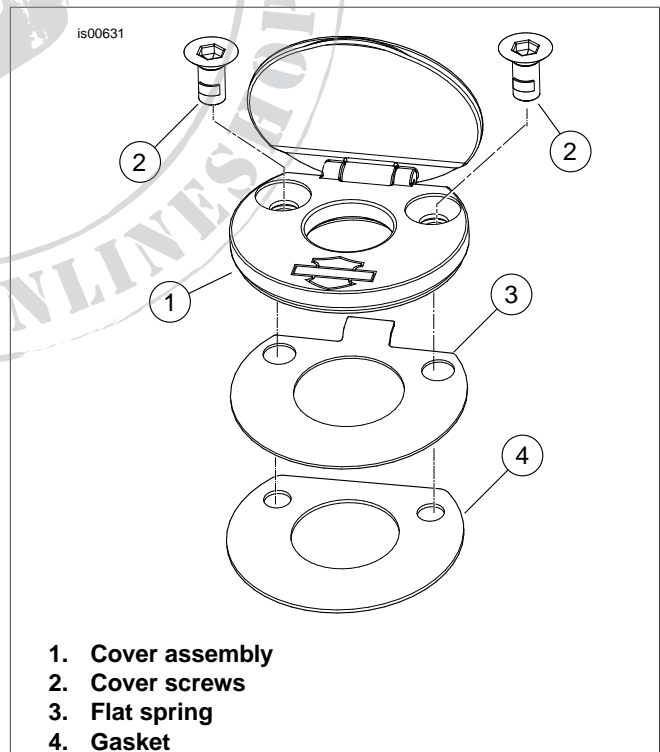
- See Figure 2. Remove and discard the two Phillips cover screws beneath the lock plate.



- Cover screws

Figure 2. Remove Cover Screws

- See Figure 3. Obtain the rubber gasket (4) and flat spring (3) from kit. Place the gasket over the mounting location and align the screw holes. Place the flat spring over the gasket and align the screw holes.
- See Figure 3. Obtain two chrome socket head screws (2) from kit. Place the cover assembly (1) into position, and install screws to secure cover.



- Cover assembly
- Cover screws
- Flat spring
- Gasket

Figure 3. Install Fork Lock Cover

OPERATION

Push the cover down to close.