



INSTRUCTIONS

-J02820

REV. 08-14-2003

Kit Number 71527-04

CHROME IGNITION SWITCH COVER

General

This Chrome Ignition Switch Cover fits all 2004 and later XL (Sportster®) model motorcycles. It is a direct replacement for the original equipment (OE) switch cover.

NOTE

There are no Service Parts available with this kit.

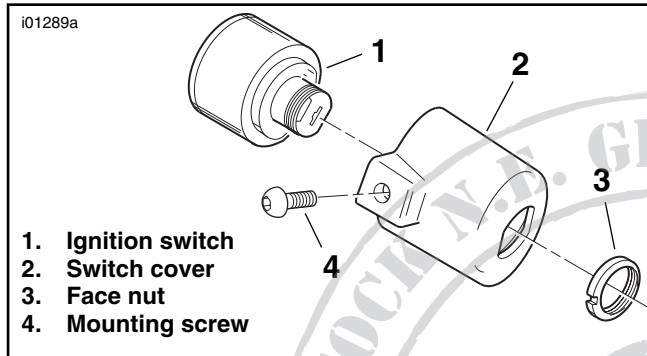


Figure 1. Ignition Switch Cover Installation

Installation

1. See Figure 1. Remove the ignition switch face nut (3).

NOTE

To avoid damaging the fuel tank finish, lift the front of the tank to provide clearance for removing and installing the screw.

2. Remove the front mounting bolt on the fuel tank.
3. Remove the ignition cover mounting screw, then remove and discard the original ignition switch cover.
4. Place the chrome ignition switch cover in position, and install the original mounting screw. Tighten the screw to 3-7 ft-lbs (4-9 Nm).
5. Reinstall the front fuel-tank mounting bolt. Tighten the bolt to 8-16 ft-lbs (11-22 Nm).
6. Install the face nut to secure the switch to the cover, and tighten securely.



INSTRUCTIONS

-J02820

REV. 08-14-2003

Kit Number 71527-04

CHROME IGNITION SWITCH COVER

General

This Chrome Ignition Switch Cover fits all 2004 and later XL (Sportster®) model motorcycles. It is a direct replacement for the original equipment (OE) switch cover.

NOTE

There are no Service Parts available with this kit.

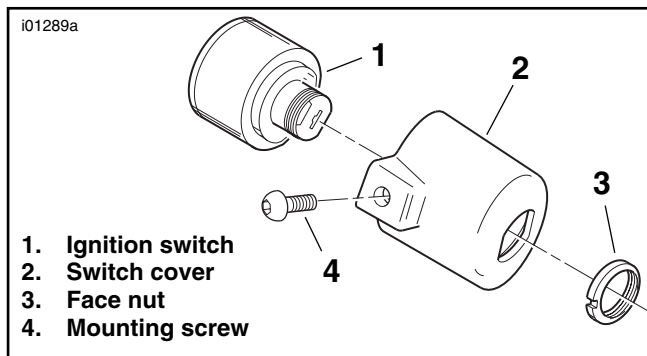


Figure 1. Ignition Switch Cover Installation

Installation

1. See Figure 1. Remove the ignition switch face nut (3).

NOTE

To avoid damaging the fuel tank finish, lift the front of the tank to provide clearance for removing and installing the screw.

2. Remove the front mounting bolt on the fuel tank.
3. Remove the ignition cover mounting screw, then remove and discard the original ignition switch cover.
4. Place the chrome ignition switch cover in position, and install the original mounting screw. Tighten the screw to 3-7 ft-lbs (4-9 Nm).
5. Reinstall the front fuel-tank mounting bolt. Tighten the bolt to 8-16 ft-lbs (11-22 Nm).
6. Install the face nut to secure the switch to the cover, and tighten securely.