



INSTRUCTIONS

-J06327

2016-04-15

FAIRING DASH AUXILIRARY SWITCH KIT

GENERAL

Kit Number

71400129

Models

For model fitment information, see the P&A retail catalog or the Parts and Accessories section of www.harley-davidson.com (English only).

This harness provides battery power, ignition/accessory power and ground connection from the Three-way Molex P&A accessory connector [325B] to accessories connecting through a four-way Deutsch connector.

⚠ WARNING

The rider's safety depends upon the correct installation of this kit. Use the appropriate service manual procedures. If the procedure is not within your capabilities or you do not have the correct tools, have a Harley-Davidson dealer perform the installation. Improper installation of this kit could result in death or serious injury. (00333a)

NOTE

This instruction sheet refers to service manual information. A service manual for this year/model motorcycle is required for this installation. One is available from a Harley-Davidson dealer.

Electrical Overload

NOTICE

It is possible to overload your vehicle's charging system by adding too many electrical accessories. If the combined electrical accessories operating at any one time consume more electrical current than the vehicle's charging system can produce, the electrical consumption can discharge the battery and cause damage to the vehicle's electrical system. See an authorized Harley-Davidson dealer for advice about the amount of current consumed by additional electrical accessories or for necessary wiring changes. (00211c)

⚠ WARNING

When installing any electrical accessory, be certain not to exceed the maximum amperage rating of the fuse or circuit breaker protecting the affected circuit being modified. Exceeding the maximum amperage can lead to electrical failures, which could result in death or serious injury. (00310a)

The power from this harness is fused at 10 amps through the vehicle harness.

Kit Contents

This harness comes fully assembled.

See Figure 4 and Table 1.

PREPARATION

⚠ WARNING

To prevent accidental vehicle start-up, which could cause death or serious injury, remove main fuse before proceeding. (00251b)

1. See the service manual. Remove main fuse.
2. See the service manual. Remove seat.
3. See the service manual. Remove both side covers.
4. See Figure 1. Remove the two electrical caddy screws (5). Lift the electrical caddy (6) to gain access to battery.
5. See the service manual. Remove the instrument bezel and the right side accessory switch hole plug. Disconnect stock connector [105RA].

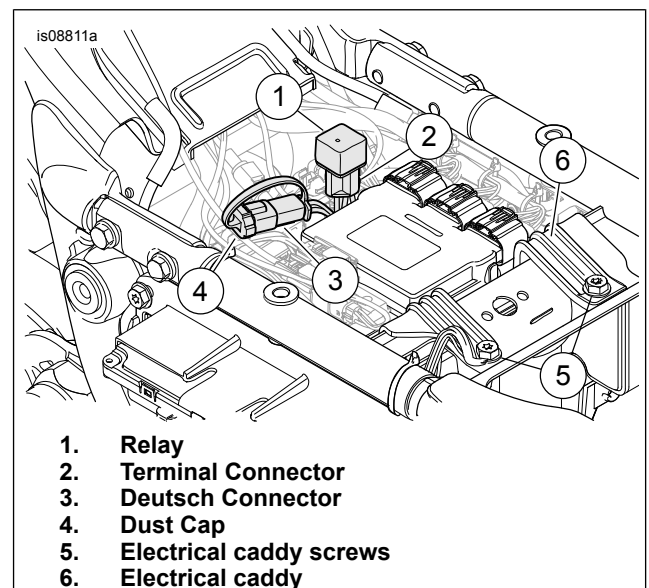


Figure 1. Relay, Dust Cap, Caddy, Terminal and Molex Connector

-J06327



Many Harley-Davidson® Parts & Accessories are made of plastics and metals which can be recycled. Please dispose of materials responsibly.

1 / 3

INSTALLATION

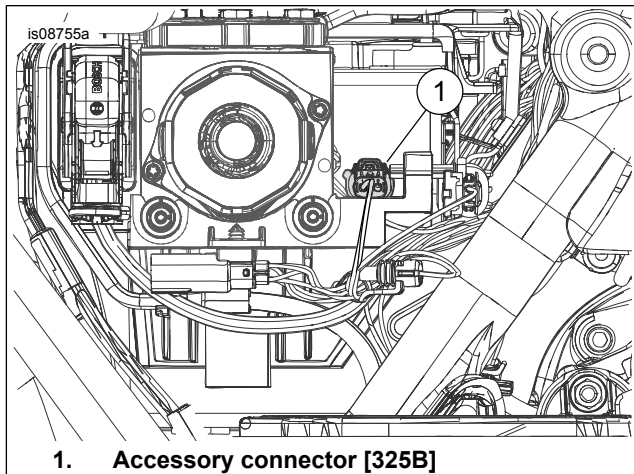


Figure 2. Accessory Connector

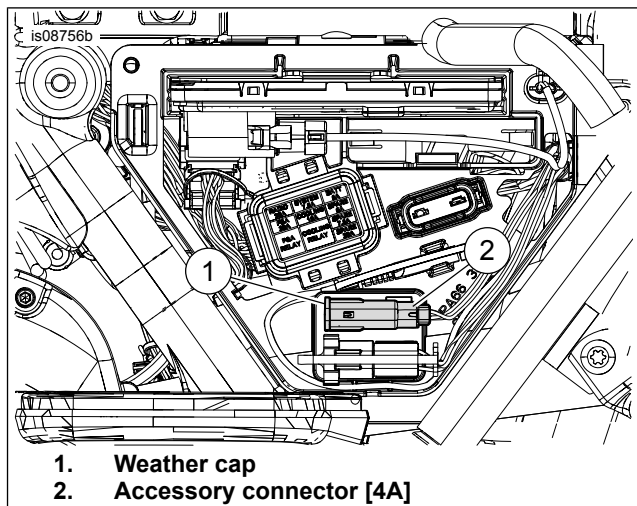


Figure 3. Accessory Connector

1. See Figure 4. Remove the fuse (8) from the inline fuse holder (C).
2. See Figure 2. Locate P&A accessory connector (1) [325B] (a black, three-way Molex pin housing with a weather cap) attached under the right side cover.
3. See Figure 4 and Table 1. Release the secondary lock of accessory connector [325B]. Insert the terminal end of the fused harness (2) into cavity 3. Press the secondary lock downward. See the service manual.
4. Route the ring terminal side of fused harness (2) up the frame member, across the front of the battery and up the positive terminal by following the stock harness.
5. Remove the positive battery terminal bolt. Install the ring side of fused harness (2) to positive terminal. Position the fuse holder so it can be accessed. Do not install fuse now.
6. Route auxiliary harness (3) toward the front of vehicle, through the frame to the front of the battery area by following the stock harness.
7. See Figure 1. Position relay (1) with the terminal connector (2) facing down. Keep the dust cap (4) on the Deutsch connector (3) while not in use.
8. See Figure 2. Remove dust cap from three-way Molex connector (1) [325B]. Connect with connector (D) [325A] shown in Figure 4.
9. See Figure 3. Locate P&A four-way Molex, pin side, accessory connector (2) [4A]. The four-way Molex connector and weather cap (1) under the left side cover.
10. Remove the dust cap (1) from connector (2) [4A] and connect with connector (E) [4B] shown in Figure 4.

11. Secure the harnesses with cable straps.
12. See Figure 4. Connect the accessories to either the four way connector (A) or the splice caps (B).
13. Connect stock harness connector [105RA] located under the switch hole plug to dash panel switch (4).

NOTE

See Figure 4 and Table 1.

The four-way connector (A)[Accessory 1] is controlled by switch (F) [Accessory 1].

Switch (G) [Accessory 2] is controlled by connector (B) [Accessory 2]. The light blue/yellow wire is limited to 2A. Any accessory connected to this wire must not exceed 2A. If more than 2A are required on either of the switches, add a relay to this circuit. See dealer for recommendations.

14. Position the dash panel switch (4) into dash panel opening. Install the two screws. Tighten to 1.4–1.9 N·m (12–17 in-lbs).

COMPLETION

NOTE

To prevent possible damage to the sound system, verify that the ignition switch is OFF **before** installing the main fuse.

1. See Figure 4. Install 10A fuse in the fuse holder of the fused harness (2).
2. See the service manual. Install the instrument bezel.
3. See the service manual. Install main fuse.
4. Test the accessory or accessories for proper operation.
5. See the service manual. Install both side covers.
6. See the service manual. Install seat. After installing seat, pull up on the seat to verify that it is secure.

SERVICE PARTS

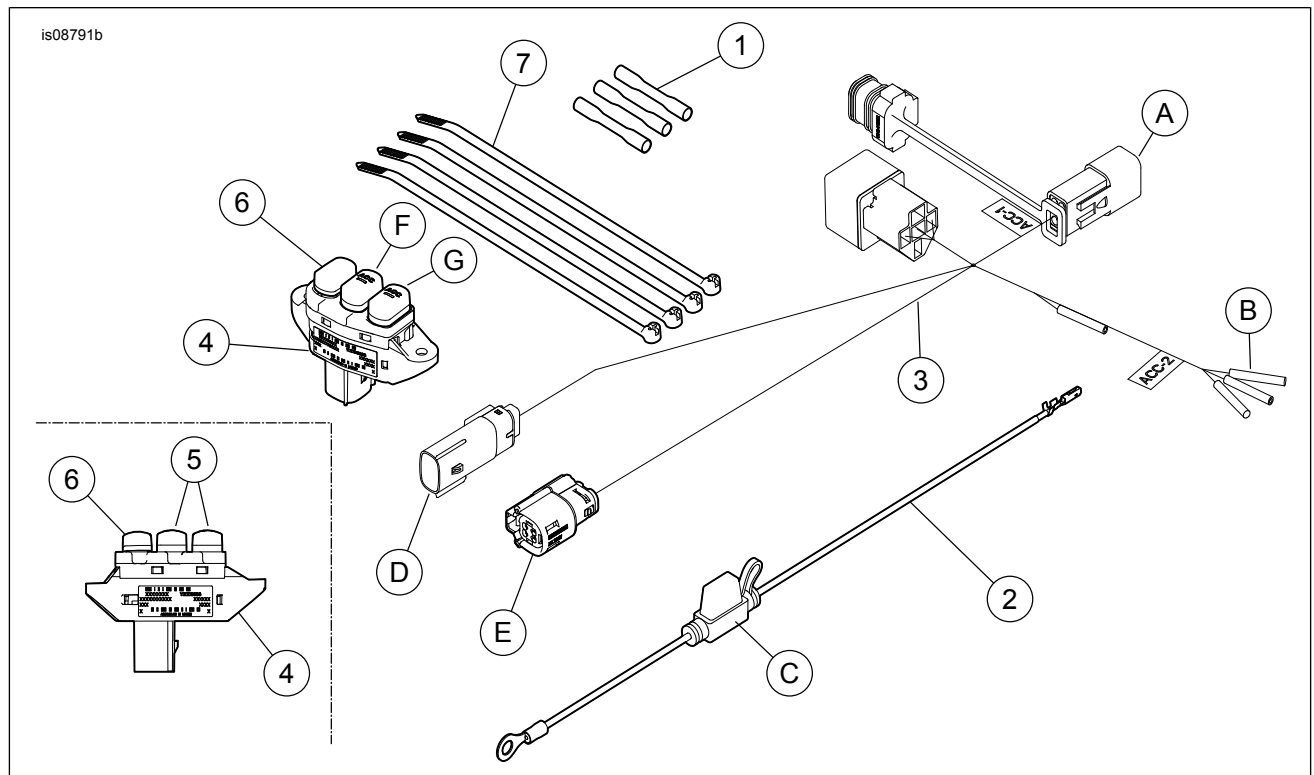


Figure 4. Service Parts, Electrical Connection Harness

Table 1. Service Parts

Item	Description (Quantity)	Part Number
1	Butt Splice (3)	70586-93
2	Fused 1/4 inch ring wire harness (1)	69201526
3	Dash power switch auxiliary wire harness (1)	69201598
4	Base dash panel switch (1)	69200173
5	Dash RH power accessory mechanical switch (2)	71400130
6	Blank button switch (1)	71400031
7	Cable strap (4)	10246
8	Mini fuse, 10A (not shown)	72462-00
A	Connector, accessory 1	
B	Connector, accessory 2	
C	Fuse holder	
D	Connector [325A]	
E	Connector [4B]	
F	Switch, accessory 1, middle	
G	Switch, accessory 2, right	