



INSTRUCTIONS

-J00818

2006-11-08

DASH PANEL EXTENSION KIT FOR SOFTAIL

GENERAL

Kit Number

71283-01

Models

For model fitment information, please see the P&A Retail Catalog or the Parts and Accessories section of www.harley-davidson.com (English only).

Kit Contents

See Figure 5 and Table 1.

INSTALLATION

1. Remove seat.
2. See Figure 1. Loosen the acorn nut (1) on the instrument panel only enough to allow some room under the panel.
3. At rear of fuel tank, remove the insert mounting screw (2) and washer securing the leather tank insert (3).
4. See Figure 5. Obtain panel extension (4), four foam pads (1) and extension panel gasket (3) from kit. Place extension panel on gasket making sure panel is centered and fits cleanly into lips on both sides.
5. See Figure 2. Gently lift up on the rear of the instrument panel and install extension panel (1) with gasket underneath, butting the two together. Make sure the extension panel rubber gasket is aligned with the instrument panel gasket.

NOTE

See Figure 2. When performing the next step, note that proper alignment is achieved when space is eliminated between the instrument panel and extension panel (1) and space is eliminated between the instrument panel and fuel tank and/or between the extension panel and the fuel tank (2). Due to variances in fuel tank and instrument panel fitments, the foam pads are used on a "as needed" basis to achieve proper alignment. It may be necessary to experiment a few times using various combinations of pads to achieve the desired alignment. In some cases, pads may not be necessary while in others, it may be necessary to use all four with one stacked above another.

6. See Figure 5. Obtain screw (6), flat black nylon washer (2) and black rubber washer (5) from kit. Place black rubber washer (5) between the dash panel extension and the fuel tank, aligned with the screw hole. Loosely install the mounting screw and black nylon washer (2) to secure the lower portion of the dash panel extension.

7. See Figure 5. Observe the overall fitment of panels over tank and determine whether foam pads (1) will be necessary to achieve the desired alignment.

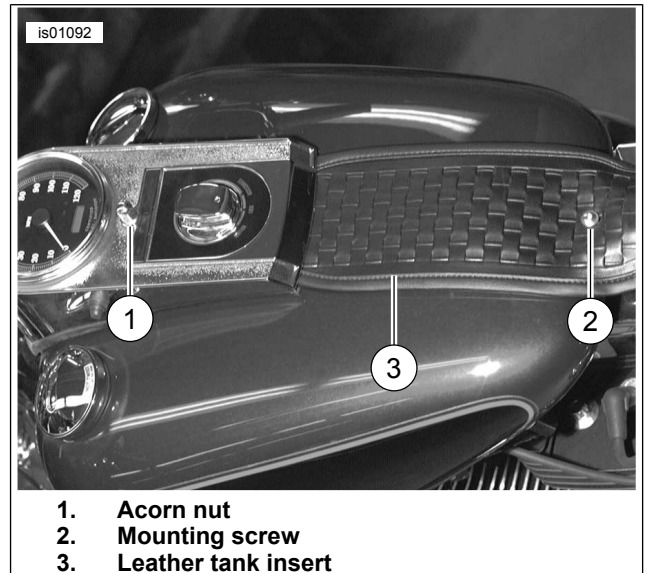


Figure 1. Remove Existing Mounting Hardware

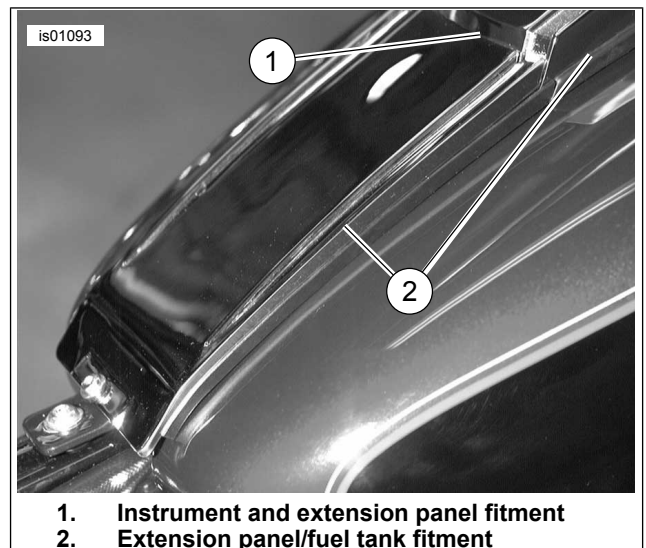
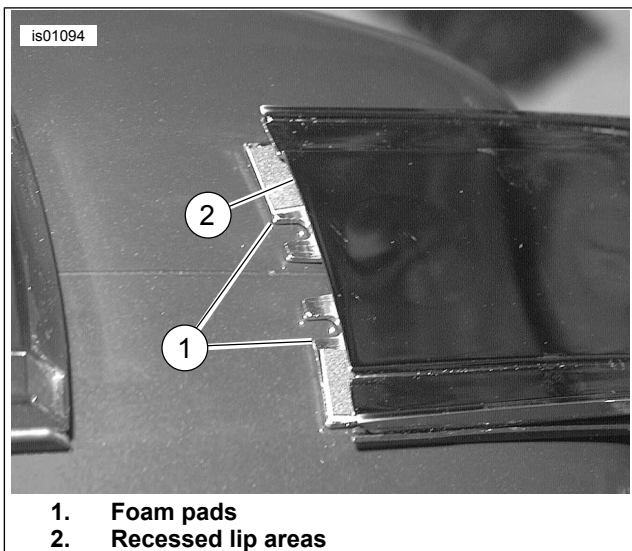


Figure 2. Install Extension Panel

8. See Figure 3. If necessary, remove the extension panel assembly, peel adhesive backing and install the needed foam pads (1) to recessed lip areas (2) extending from the front of the panel extension as shown. Re-install the panel.





- 1. Foam pads
- 2. Recessed lip areas

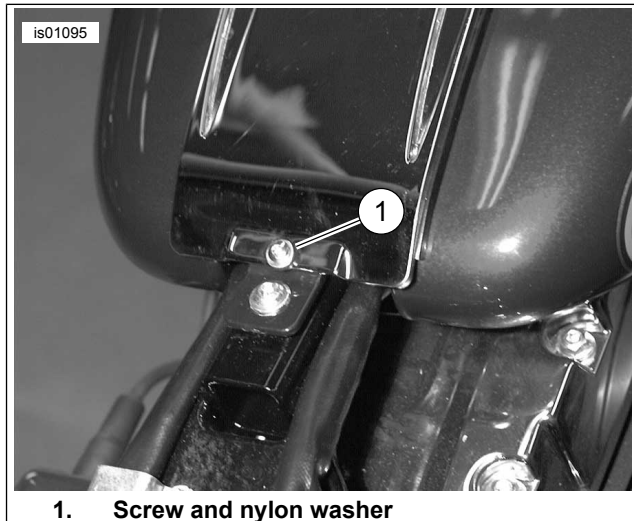
Figure 3. Install Foam Pads, If Necessary

- 9. See Figure 4. When proper alignment is achieved, tighten the rear mounting screw securely.
- 10. Tighten the instrument panel acorn nut to 9–11.3 N·m (80–100 in-lbs).

▲ WARNING

After installing seat, pull upward on seat to be sure it is locked in position. While riding, a loose seat can shift causing loss of control, which could result in death or serious injury. (00070b)

- 11. Install seat.



- 1. Screw and nylon washer

Figure 4. Install Lower Mounting Screw

SERVICE PARTS

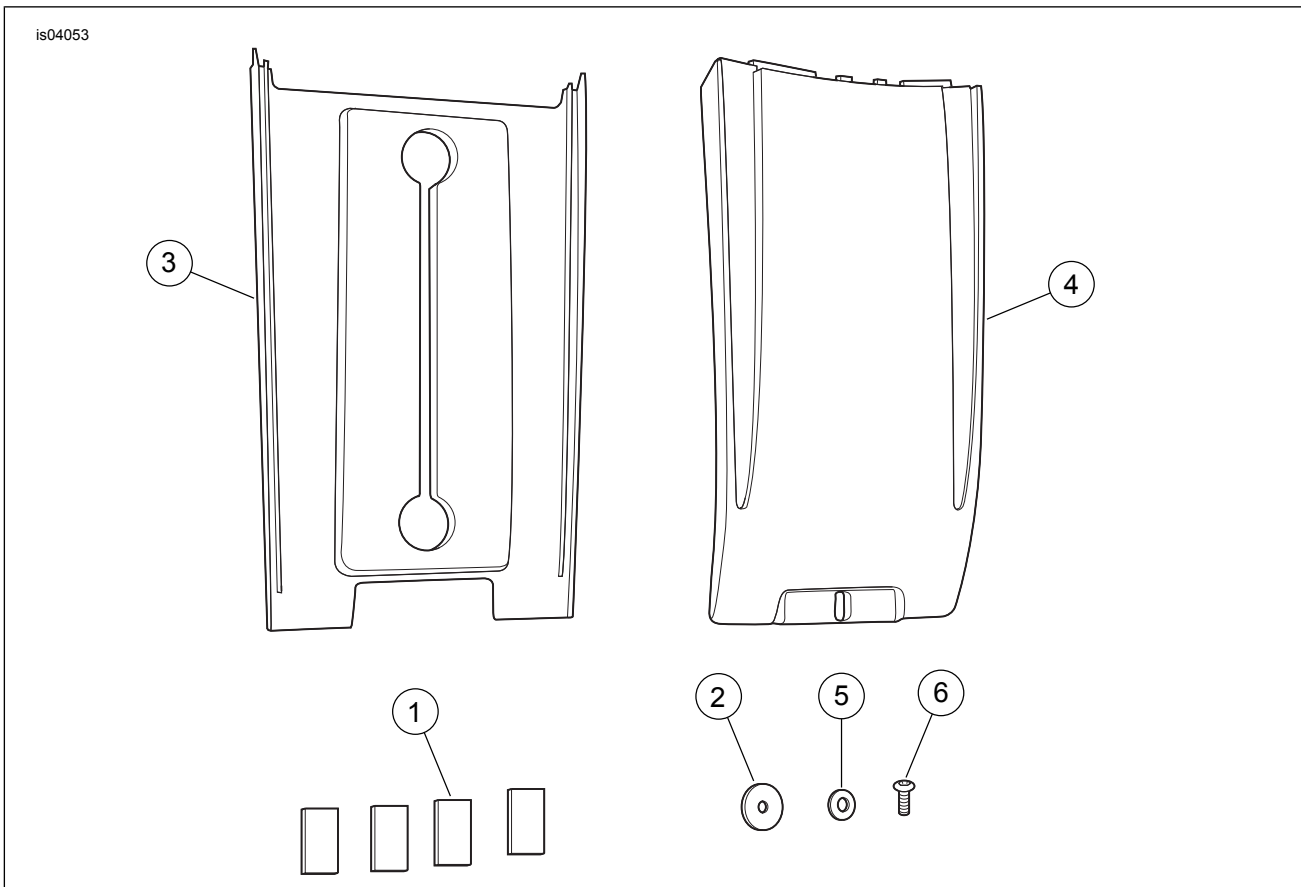


Figure 5. Service Parts: Softail Dash Panel Extension Kit

Table 1. Service Parts Table

Item	Description (Quantity)	Part Number
1	Pad, foam (4)	Not Sold Separately
2	Washer, flat, black nylon	7017
3	Gasket, dash panel extension	Not Sold Separately

Table 1. Service Parts Table

Item	Description (Quantity)	Part Number
4	Extension, dash panel	Not Sold Separately
5	Washer, rubber black	58152-96
6	Screw, black, #10-24 X 1/2 in.	3658