



INSTRUCTIONS

-J03809

REV. 2005-10-26

AUXILIARY ACCESSORY HOUSING KIT

GENERAL

Kit Number

70248-02A, 70256-02A, 70213-02B, 70255-02B

Models

These kits are designed for use on all 1996 and later models, to allow the installation of various switches and/or accessories. The kit is available for right and left side applications in Black and Chrome finishes.

Additional Parts Required

NOTE

2004 and later XL models require the separate purchase of 2 screws, Harley-Davidson part number 3832M.

! WARNING

The rider's safety depends upon the correct installation of this kit. Use the appropriate service manual procedures. If the procedure is not within your capabilities or you do not have the correct tools, have a Harley-Davidson dealer perform the installation. Improper installation of this kit could result in death or serious injury. (00333a)

NOTE

This instruction sheet references Service Manual information. A Service Manual for your model motorcycle is required for this installation and is available from a Harley-Davidson Dealer.

Kit Contents

See Figure 7 and Table 1.

INSTALLATION

NOTE

The following procedure shows installation of the left auxiliary accessory housing. The procedure for installation of the right side kit is the same except where noted.

1. Remove the seat according to the applicable Owner's Manual instructions.

! WARNING

To prevent accidental vehicle start-up, which could cause death or serious injury, disconnect battery cables (negative (-) cable first) before proceeding. (00307a)

! WARNING

Disconnect negative (-) battery cable first. If positive (+) cable should contact ground with negative (-) cable connected, the resulting sparks can cause a battery explosion, which could result in death or serious injury. (00049a)

2. Disconnect battery cables, negative cable first.

NOTE

Make note of the orientation of the lever to ensure correct installation.

3. See Figure 1. Using a T-27 TORX driver, remove two screws (1) and lever bracket clamp (2).

NOTE

See Figure 2. The lower housing must be installed with the drain holes (1) down.

4. See Figure 2. Install the lower housing (2) using two zinc-plated button-head screws (3) from the kit (or part number 3832M for 2004 and later XL models) and flat washers. Position the lever as noted earlier and tighten the screws to 60-80 in-lbs (8-9 Nm), using a 5/32 in. hex wrench.

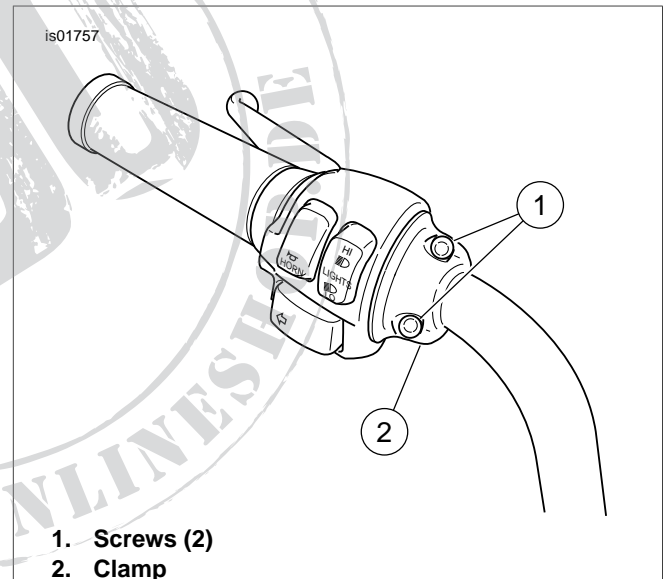


Figure 1. Remove Lever Clamp

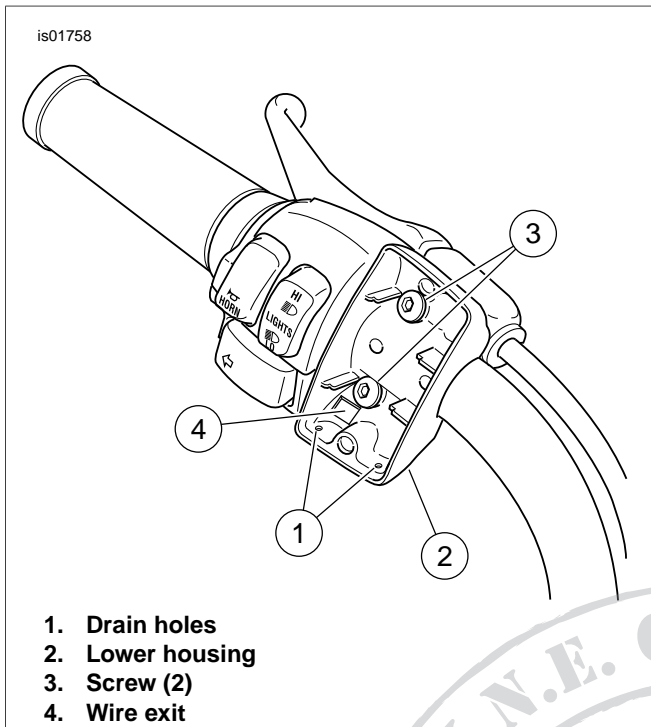


Figure 2. Install Lower Auxiliary Accessory Housing

5. Install the desired switches and/or accessories in the mounting bracket. Refer to the installation instructions provided with that kit.

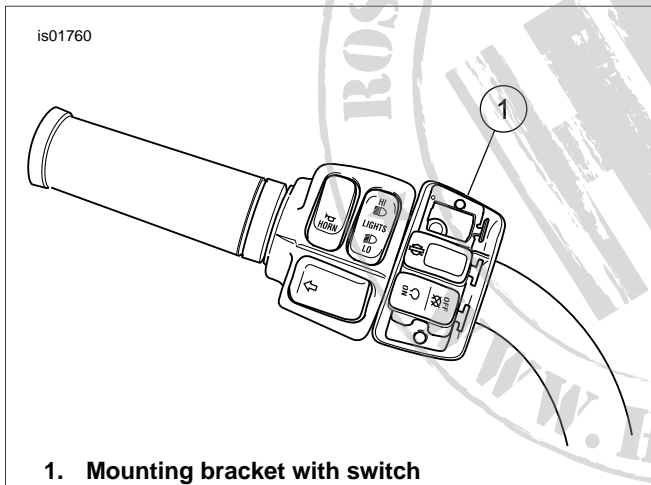


Figure 3. Install Mounting Bracket

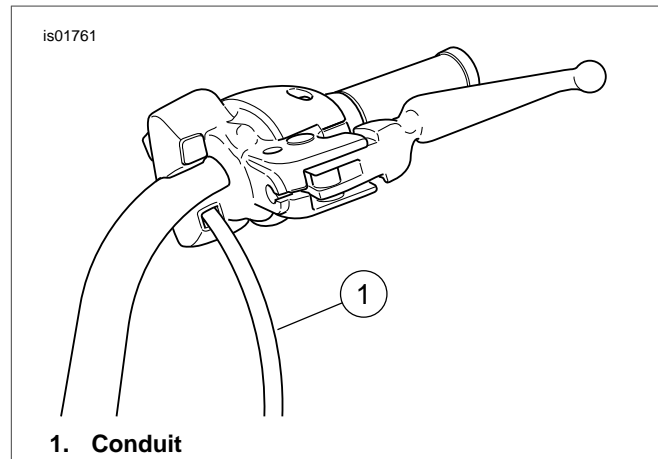


Figure 4. Switch/Accessory Wire/Conduit Routing

6. See Figure 3. Install the mounting bracket (1) with switch(es) and/or accessories in the lower housing.
7. See Figure 4. Route the wires/conduit (1) through the holes in the lower housing.
8. See Figure 5. Using a flat-bladed screwdriver (1), carefully compress the tab and remove the hole plug (2) from the housing cover. If relocating the hole plug, snap the plug in the desired new location.
9. See Figure 6. Install the housing cover (1) using two button-head screws (2). Using a T-25 TORX driver, tighten screws to 35-45 in-lbs (4-5 Nm).

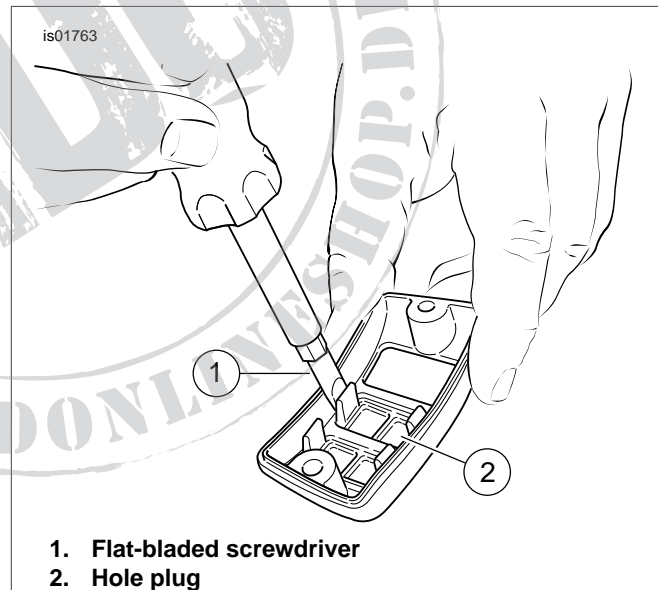


Figure 5. Remove/Reposition Hole Plug

10. Complete the switch/accessory installation. Refer to the installation instructions provided with that kit.

⚠ WARNING

Connect positive (+) battery cable first. If positive (+) cable should contact ground with negative (-) cable connected, the resulting sparks can cause a battery explosion, which could result in death or serious injury. (00068a)

11. Install battery cables, positive cable first.

⚠ WARNING

After installing seat, pull upward on seat to be sure it is locked in position. While riding, a loose seat can shift causing loss of control, which could result in death or serious injury. (00070b)

12. Install the seat according to the applicable Service Manual instructions.

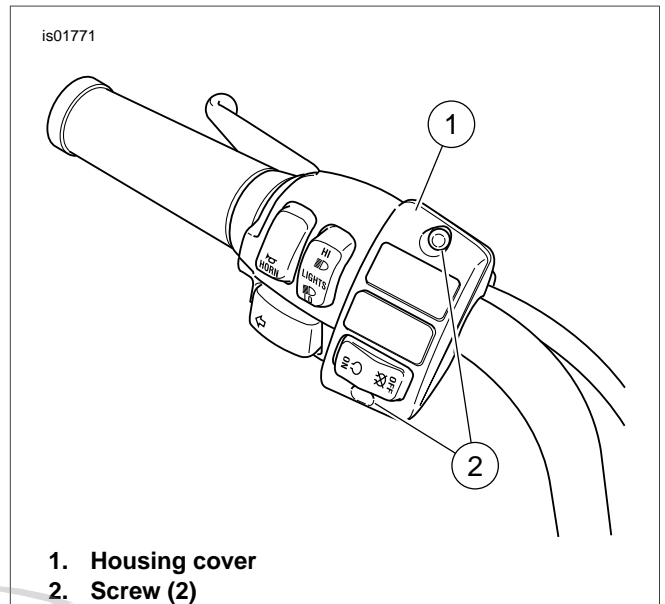


Figure 6. Install Housing Cover



SERVICE PARTS

See Figure 7 and Table 1.

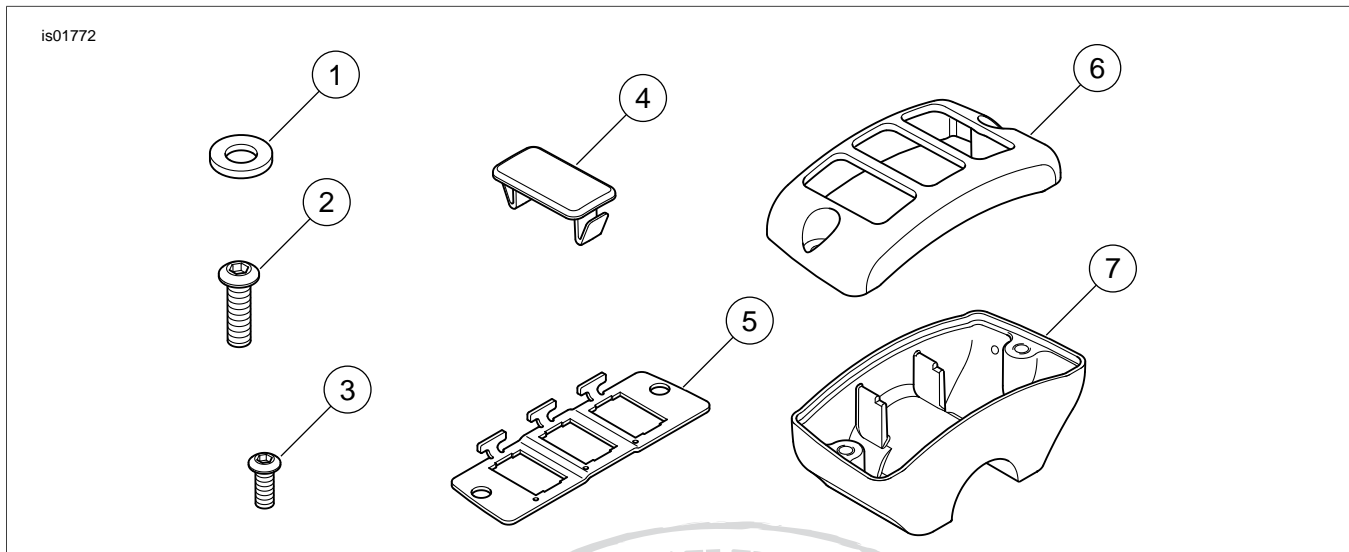


Figure 7. Service Parts: Auxiliary Accessory Housing Kit

Table 1. Service Parts Table

Item	Description (Quantity)	Part Number	Item	Description (Quantity)	Part Number
Kit 70256-02A, Auxiliary Housing Kit, Right, Black			Kit 70255-02B Auxiliary Housing Kit, Right, Chrome		
1	Washer, flat (2)	6101	1	Washer, flat (2)	6099
2	Screw, button-head, zinc plated (2)	4015	2	Screw, button-head, zinc plated (2)	4015
3	Screw, button-head, black (2)	3658	3	Screw, button-head, Stainless steel (2)	4292
4	Plug, hole (2)	71715-02	4	Plug, hole (2)	71715-02
5	Bracket, mounting	71714-02	5	Bracket, mounting	71714-02
6	Housing cover, black	71711-02	6	Housing cover, Chrome	71710-02
7	Lower housing, black, right	71713-02A	7	Lower housing, chrome, right	71712-02A
Kit 70248-02A, Auxiliary Accessory Housing Kit, Left, Black			Kit 70213-02B, Auxiliary Accessory Housing Kit, Left, Chrome		
1	Washer, flat (2)	6101	1	Washer, flat (2)	6101
2	Screw, button-head, zinc plated (2)	4015	2	Screw, button-head, zinc plated (2)	4015
3	Screw, button-head, black (2)	3658	3	Screw, button-head, stainless steel (2)	4292
4	Plug, hole (2)	71715-02	4	Plug, hole (2)	71715-02
5	Bracket, mounting	71714-02	5	Bracket, mounting	71714-02
6	Housing cover, black	71711-02	6	Housing cover, chrome	71710-02
7	Lower housing, black, left	71603-02A	7	Lower housing, chrome, left	71602-02A