



INSTRUCTIONS

-J02331

REV. 2007-08-17

BULLET-STYLE CHROME TRIM TURN SIGNAL LENS KIT

GENERAL

Kit Number

69739-01, 69756-05

Models

For model fitment information, please see the P&A Retail Catalog or the Parts and Accessories section of www.harley-davidson.com (English only).

Kit Contents

Table 1. Kit Contents

Description	Quantity
Bullet-style chrome-trim turn-signal lens (Amber)	2
Trim Rings	2

There are no Service Parts available with this kit.

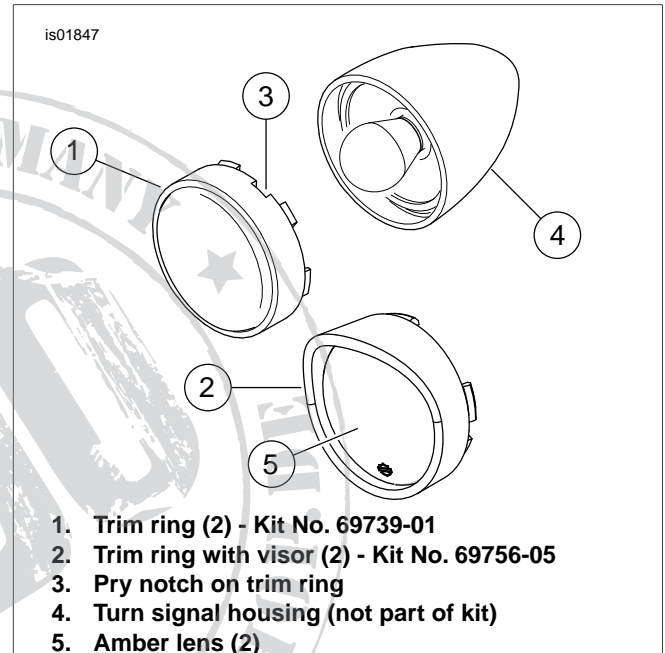
INSTALLATION

1. See Figure 1. Insert a standard screwdriver tip into the pry notch (3) on a stock turn signal lens to pry the lens from the bullet-style turn signal housing (4).
2. Position the chrome trim turn signal lens (1 or 2) over the turn signal housing with the pry tab positioned at the bottom of the lens (shown in top position for clarity).

NOTE

Press on the outer edges of the lens, not on the chrome trim ring around the lens, until the lens snaps into the housing.

3. Press the lens into the turn signal housing (4).



1. Trim ring (2) - Kit No. 69739-01
2. Trim ring with visor (2) - Kit No. 69756-05
3. Pry notch on trim ring
4. Turn signal housing (not part of kit)
5. Amber lens (2)

Figure 1. Bullet-Style Turn Signal Lens