



INSTRUCTIONS

-J06468

2016-05-10

SWITCHED CIRCUIT ADAPTER HARNESS

GENERAL

Kit Number

69201706

Models

For model fitment information, see the P&A Retail Catalog or the Parts and Accessories section of www.harley-davidson.com (English only).

Installation Requirements

When other accessories are installed to the main harness, this Switched Circuit Adapter Harness should be used in conjunction with other kits.

⚠ WARNING

The rider's safety depends upon the correct installation of this kit. Use the appropriate service manual procedures. If the procedure is not within your capabilities or you do not have the correct tools, have a Harley-Davidson dealer perform the installation. Improper installation of this kit could result in death or serious injury. (00333a)

⚠ WARNING

When installing any electrical accessory, be certain not to exceed the maximum amperage rating of the fuse or circuit breaker protecting the affected circuit being modified. Exceeding the maximum amperage can lead to electrical failures, which could result in death or serious injury. (00310a)

NOTE

This instruction sheet references service manual information. A service manual for this year/model motorcycle is required for this installation. One is available from a Harley-Davidson dealer.

Kit Contents

See Refer to Figure 2. and Table 1.

PREPARATION

1. Remove seat. See service manual.
2. Remove right side cover. See service manual.

INSTALLATION

1. See Refer to Figure 1. Connect harness connectors.

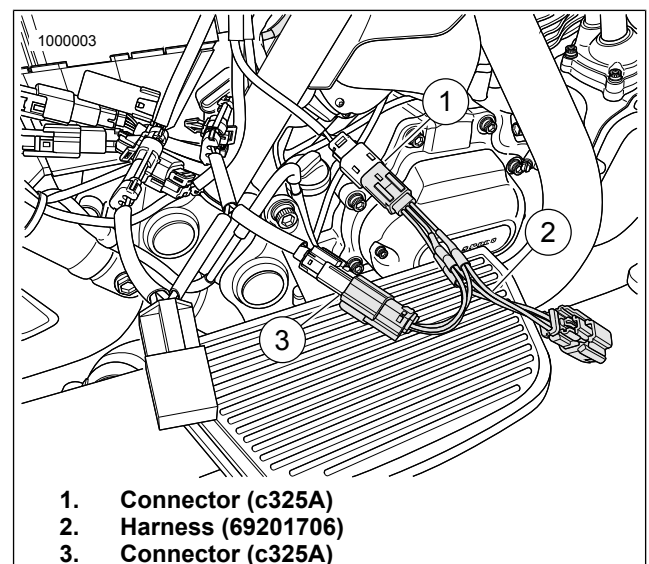


Figure 1. Y Harness With Optional Accessories Shown.

2. Install right side cover.
3. Install seat. After installing seat, pull up on the seat to verify that it is secure. See service manual.



SERVICE PARTS

1000136

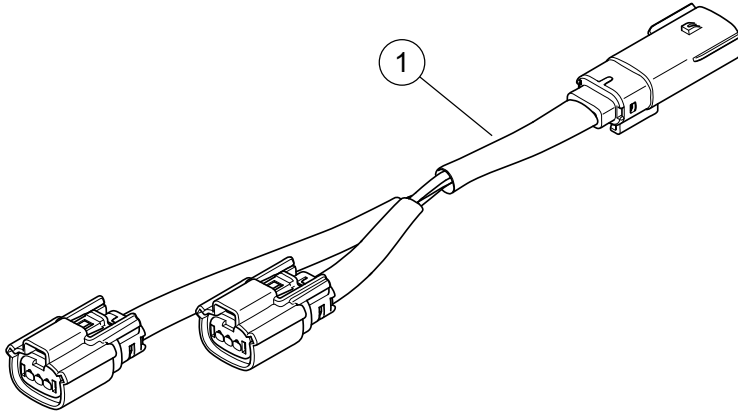


Figure 2. Service Parts: Y Harness Kit

Table 1. Service Parts Table

Kit	Item	Description (Quantity)	Part Number
Kit 69201706	1	Switched Circuit Adapter Harness	69201571