



INSTRUCTIONS

-J05962

2014-05-15

LED BULLET FOG LAMP HARNESS

GENERAL

Kit Number

69201109

Models

For model fitment information, see the P&A retail catalog or the Parts and Accessories section of www.harley-davidson.com (English only).

Installation Requirements

Separate purchase of an Engine Guard Mounted LED Bullet Fog Lamp Kit and an LED Bullet Fog Lamp Mounting Kit are required for proper installation of this kit.

Electrical Contact Lube (H-D Part No. 99861-02) or equivalent is required after battery cable disconnection.

These items are available from a Harley-Davidson dealer.

▲ WARNING

The rider's safety depends upon the correct installation of this kit. Use the appropriate service manual procedures. If the procedure is not within your capabilities or you do not have the correct tools, have a Harley-Davidson dealer perform the installation. Improper installation of this kit could result in death or serious injury. (00333a)

NOTE

This instruction sheet refers to service manual information. A service manual for this year/ model motorcycle is required for this installation. One is available from a Harley-Davidson dealer.

Kit Contents

See Figure 1 and Table 1.

PREPARATION

▲ WARNING

To prevent accidental vehicle start-up, which could cause death or serious injury, remove main fuse before proceeding. (00251b)

NOTE

- **Vehicles WITH security siren:** With security fob present, turn ignition switch ON. See the service manual. After system is disarmed, turn ignition switch OFF. **IMMEDIATELY** remove the main fuse.
- **Vehicles WITHOUT security siren:** See the service manual. Remove main fuse.

INSTALLATION

1. Install the fog lamps and mounting brackets to the vehicle per the instructions in **those** kits.

2. If **NO** auxiliary lamp switch is present: If an auxiliary lamp switch **IS** present:

- a. See a Harley-Davidson dealer to purchase an original equipment (OE) auxiliary lamp switch for this year/ model vehicle, OR

- b. Use the universal LED Bullet Fog Lamp Harness (Kit No. 69200863) instead of **this** kit.

- a. **Bat Wing models:** Access the four-way auxiliary lamp connector [31] on one side. Separate the connector halves. Plug **this** harness in between the two separated connectors.

- b. **Frame-mounted fairing models:** Remove outer fairing. Find four-way turn signal lamp connector [C31]. Plug **this** harness in between the two separated connectors.

3. See Figure 1. Route the two harness legs and connectors (2) downward to the base of the front downtube. Plug the harness into the fog lamps.

4. Coil up any excess wire. Use cable straps (7) to secure the harness legs to the engine guard.

COMPLETION

NOTE

To prevent possible damage to the sound system, verify that the ignition is **OFF** **before** installing the main fuse.

1. See the service manual. Install the main fuse.

▲ WARNING

After installing seat, pull upward on seat to be sure it is locked in position. While riding, a loose seat can shift causing loss of control, which could result in death or serious injury. (00070b)

2. See the service manual. Install seat.



SERVICE PARTS

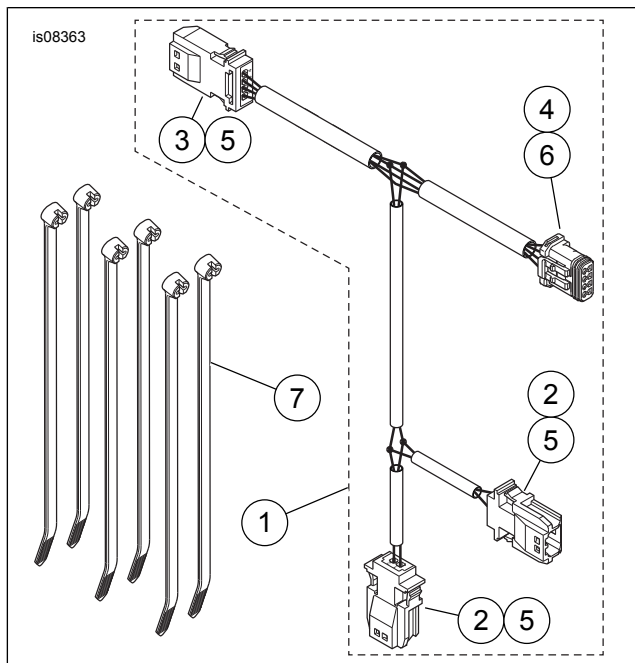


Figure 1. Service Parts, LED Bullet Fog Lamp Harness

Table 1. Service Parts

Item	Description (Quantity)	Part Number
1	Wire harness, LED bullet fog lamp (includes items 2-6)	69201113
2	• Pin housing, two-way (2)	Not sold separately
3	• Pin housing, four-way	Not sold separately
4	• Socket housing, four-way	Not sold separately
5	• Pin terminal, #20-22 AWG (8)	Not sold separately
6	• Socket terminal, #20-22 AWG (5)	Not sold separately
7	Cable strap (6)	10006