



INSTRUCTIONS

-J06025

2017-05-17

AUXILIARY INPUT KIT

GENERAL

Kit Number

69200907

Models

For model fitment information, see the P&A retail catalog or the Parts and Accessories section of www.harley-davidson.com (English only).

Installation Requirements

Even if a Harley-Davidson dealer does not install this kit, an update to the "Audio Inputs" function is available without charge from any dealer through Digital Technician II. Dealer labor rates could apply for the update procedure.

⚠ WARNING

The rider's safety depends upon the correct installation of this kit. Use the appropriate service manual procedures. If the procedure is not within your capabilities or you do not have the correct tools, have a Harley-Davidson dealer perform the installation. Improper installation of this kit could result in death or serious injury. (00333a)

NOTE

This instruction sheet refers to service manual information. A service manual for this year/model motorcycle is required for this installation. One is available from a Harley-Davidson dealer.

Kit Contents

This kit consists of:

- a 0.5 m (20 in) long audio jack jumper cable (Part No. 69200610A)
- two cable straps (Part No. 10006)

PREPARATION

⚠ WARNING

To prevent accidental vehicle start-up, which could cause death or serious injury, remove main fuse before proceeding. (00251b)

NOTE

- **WITH security siren:** With security fob present, turn ignition switch ON. See the service manual. After system is disarmed, turn ignition switch OFF. **IMMEDIATELY** remove main fuse.
- **WITHOUT security siren:** See the service manual. Remove main fuse.

INSTALLATION

1. See the service manual. Remove outer fairing.

2. Connect the audio jack jumper cable to the black twelve-way Molex CB connector [184] above the radio.
3. If the vehicle has CB:
 - a. Unplug the CB connector
 - b. Release the secondary lock on the AUX cable side. De-pin the wire in cavity 6 from black connector using a Molex de-pin tool. **NOTE: Colors could vary with AUX cable assemblies. De-pin and repin one wire at a time.**
 - c. Release the secondary lock on the CB module (socket) side. Remove the corresponding cavity pin in cavity 6.
 - d. Insert the terminal from step "3 b" (AUX cable) above back cavity 6 of the CB connector (socket side)
 - e. Repeat for cavity 7 and 8.
 - f. Engage the secondary lock on the CB module connector.
 - g. Plug in the CB connector.

NOTE

DO NOT drill hole in media tray if audio source is not located there.

4. **If locating an audio source IN THE MEDIA TRAY,** see Figure 1 or Figure 2. **If using with a Zumo GPS unit as an AUDIO source for voice prompts or audio:** Connect the open end of the audio jack jumper cable to the mating Zumo harness connector marked "AUDIO IN".
 - a. See the service manual. Remove the media tray (1).
 - b. Drill a 13 mm (½ in) diameter hole (2) in the location shown.
 - c. Lightly sand the opening to remove burrs and sharp edges. Clean all drilling and sanding debris from the media tray.
 - d. Insert the open end of the audio jack jumper cable through the newly drilled hole. Secure the grommet into the newly drilled hole.
 - e. See the service manual. Install media tray.
5. Secure the audio jack jumper cable with cable straps from the kit.
6. Have a Harley-Davidson dealer use DIGITAL TECHNICIAN II (PART NUMBER: HD-48650) service tool to update the "Audio Inputs" to the desired setting:
 - No: Aux input disabled
 - Yes: Audio only



- Interrupt tone detection only: For use with H-D branded Garmin GPS devices. Audio prompts from the GPS device will interrupt audio playback to announce turn by turn prompts. The text in the "Input 3 Name" field **will not** be shown or selectable media device list (FM, USB, XM).
 - Interrupt tone detect and add device to mode list: For use with H-D branded Garmin GPS devices. Audio prompts from the GPS device will interrupt audio playback to announce turn by turn prompts. The text in the "Input 3 Name" field **will** be shown and selectable media device list (FM, USB, XM).
7. Check the audio system for proper function (a new AUX appears under the "Media" tab).
 8. See the service manual. Install outer fairing.

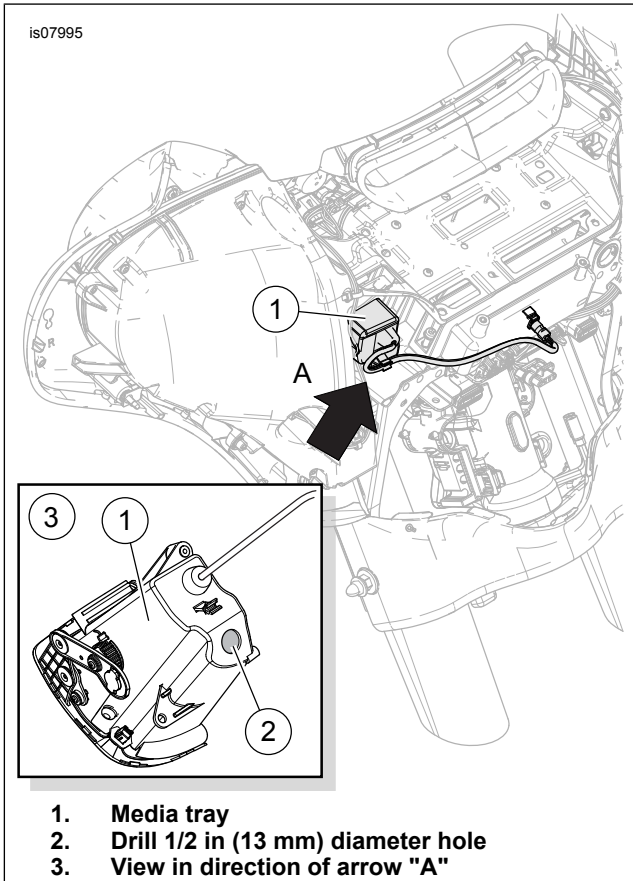


Figure 1. Drill Hole in Media Compartment (FLH Models)

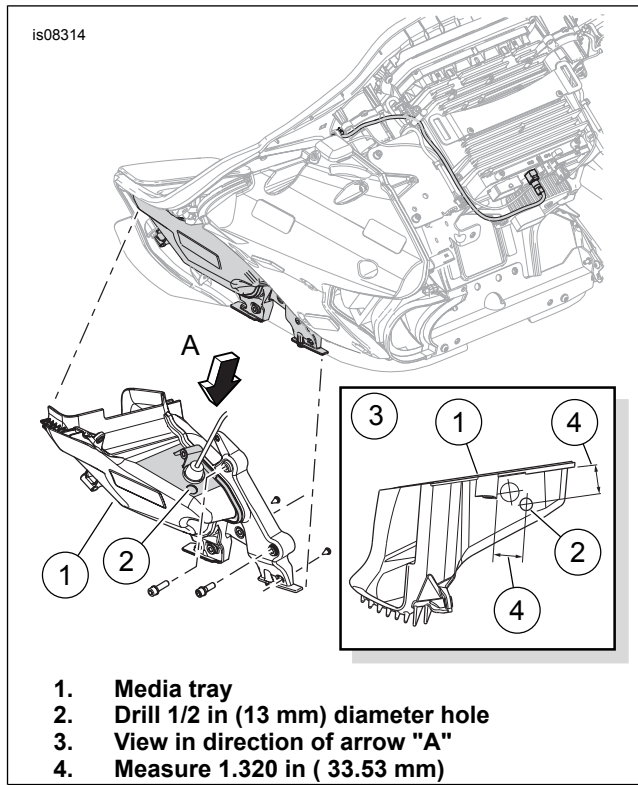


Figure 2. Drill Hole in Media Compartment (FLT Models)