



# INSTRUCTIONS

-J05812

2013-06-24

## 12 VOLT TOUR-PAK POWER SUPPLY

### GENERAL

#### Kit Number

69200826

#### Models

For model fitment information, see the P&A Retail Catalog or the Parts and Accessories section of [www.harley-davidson.com](http://www.harley-davidson.com) (English only).

#### Additional Parts Required

##### ▲ WARNING

The rider's safety depends upon the correct installation of this kit. Use the appropriate service manual procedures. If the procedure is not within your capabilities or you do not have the correct tools, have a Harley-Davidson dealer perform the installation. Improper installation of this kit could result in death or serious injury. (00333a)

##### NOTE

This instruction sheet references Service Manual information. A Service Manual for your model motorcycle is required for this installation and is available from a Harley-Davidson Dealer.

#### Kit Contents

This kit contains one 12 V auxiliary power supply.

#### INSTALLATION

##### ▲ WARNING

To prevent accidental vehicle start-up, which could cause death or serious injury, remove main fuse before proceeding. (00251b)

1. See the service manual. Remove main fuse.
2. See the service manual. Remove bottom Tour-Pak® liner.
3. See Figure 1. Remove the two lower mounting screws (1) and washers (2) for the right speaker enclosure.

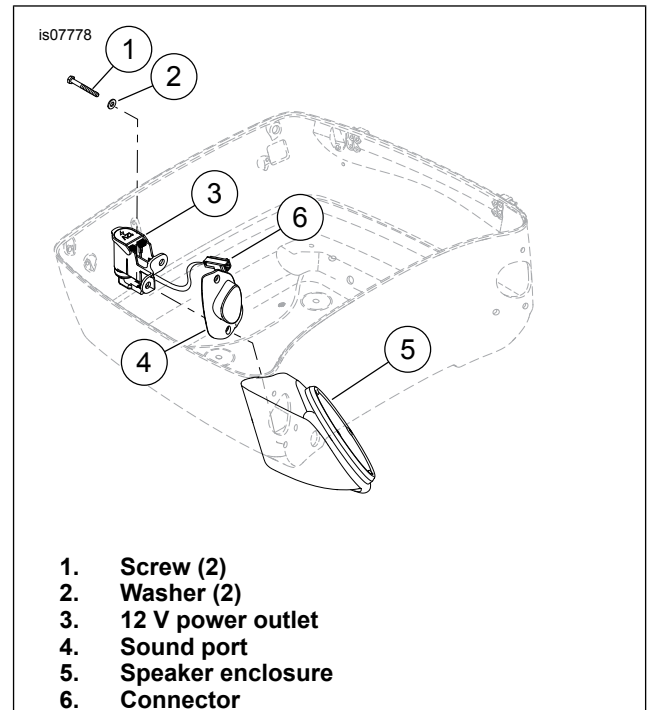


Figure 1. Install 12 V Power Outlet

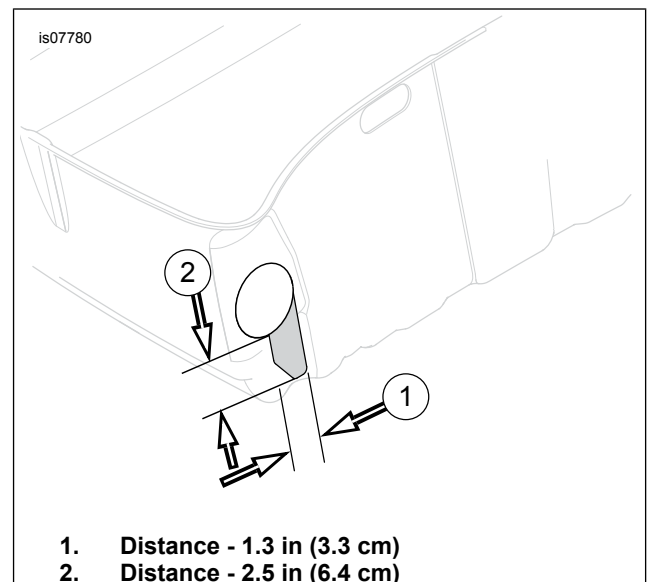


Figure 2. Cut and Trim Tour-Pak Liner

4. Install the 12 V outlet (3) inside the Tour-Pak. Secure with previously removed screws and washers. Tighten to 2.3–2.8 N·m (20–25 in-lbs).
5. Mate the power connector [258] to the 12 V outlet connector (6).

-J05812



Many Harley-Davidson® Parts & Accessories are made of plastics and metals which can be recycled. Please dispose of materials responsibly.

1 / 2

6. See Figure 2. Remove material as necessary so that the Tour-Pak liner will fit around the power outlet. Remove the material indicated in gray as shown.
7. See the service manual. Install the Tour-Pak liner.
8. See the service manual. Install the main fuse.

## **OPERATION**

The power outlet is connected to the accessory switch and will operate when the switch is ON.