



INSTRUCTIONS

-J04562

REV. 2007-10-17

FXCW/C HORN RELOCATION KIT

GENERAL

Kit Number

69015-08

Models

This kit is needed to complete the installation of an oil cooler on specific FXCW (Softail® Rocker™) and FXCWC (Softail Rocker C) model motorcycles.

Please see the P&A Retail Catalog or the Parts and Accessories section of www.harley-davidson.com (English only) for model fitment information and the correct Oil Cooler Kit part number.

Tools and Supplies Required

Loctite® 243 (Blue) Threadlocker and Sealant (H-D Part Number 99642-97) is required for the proper installation of this kit.

Kit Contents

This kit consists of a new horn bracket and these instructions. There are no service parts available.

INSTALLATION

⚠ WARNING

To prevent accidental vehicle start-up, which could cause death or serious injury, remove main fuse before proceeding. (00251b)

1. Refer to the Owner's Manual and follow the instructions given to remove the main fuse.
2. See Figure 1. Remove the hex head screw (2) and lockwasher (3) to detach the original equipment (O.E.) horn bracket (1) from the vehicle.
3. Disconnect the wires from the posts on the back side of the horn.
4. Remove the locknut (5) to detach the horn and cover assembly (4) from the bracket.

NOTE

Position the horn terminals between the two ears on the new bracket.

5. With the horn terminals between the ears, insert the horn mounting stud through the small hole in the **new** bracket (6).
- Apply a few drops of Loctite Blue to the stud threads, then fasten the horn to the bracket with the locknut (5) removed earlier. Tighten securely.
6. Connect the wires to the posts on the back side of the horn.
7. Attach the horn bracket to the vehicle using the lockwasher (3) and screw (2) removed earlier. Tighten to 13-15 ft-lbs (17.6-20.4 Nm).
8. Verify that the Ignition/Light Key Switch is turned to the OFF position.
Refer to the Owner's Manual and follow the instructions given to re-install the main fuse.
9. Test the horn for proper operation.

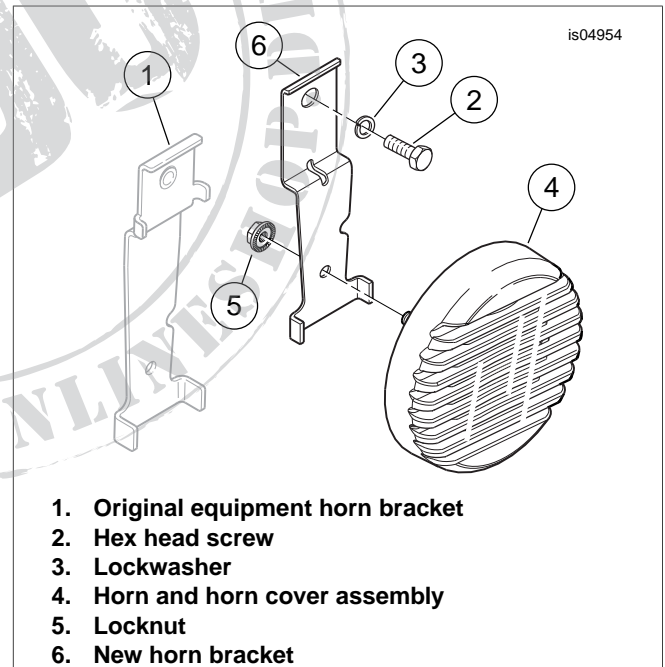


Figure 1. Horn Installation