



INSTRUCTIONS

-J02063

REV. 3-22-2002

Kit Number 68311-01

TAIL-LAMP CHROME COLLAR KIT

General

This kit fits all 2003 XL, 2003 Dyna except FXDWG, and 2003 and later FLSTF model motorcycles. This kit does not fit FXSTD, FXSTB, FXSTS, FLSTS, FLSTC, and Touring models.

See the Service Parts illustration for a list of items contained in this kit.

Installation

1. Remove and discard the two screws fastening the tail-lamp lens to the base.

2. Fasten the tail-lamp chrome collar over the the tail-lamp lens using two new screws (2). Torque the screws to 20 – 24 **in-lbs** (2-2 – 2.5 Nm).

⚠ WARNING

Check for proper tail-lamp operation before riding riding the motorcycle. Visibility is a major concern for motorcyclists. Improper tail lamp operation may lead to an accident which could result in death or serious injury.

3. Test the tail lamp and turn signals for proper operation.



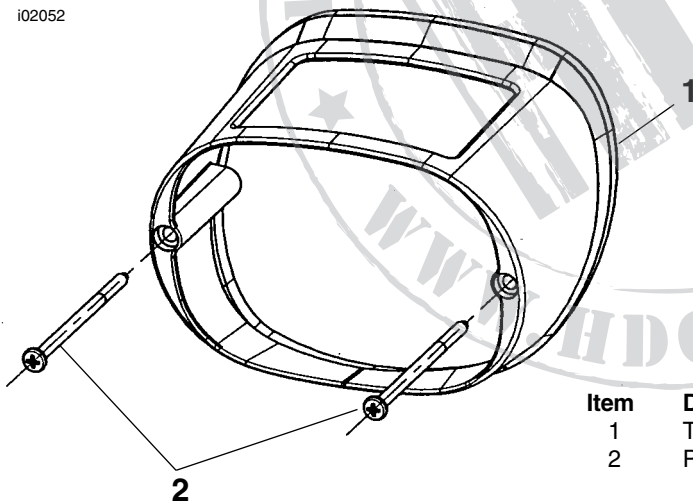
Service Parts

Part No. 68311-01

Date 3/02

Tail-Lamp Chrome Collar Kit

i02052



Item	Description	Part No.
1	Tail-lamp collar, chrome	Not sold separately
2	Panhead screw (2)	68312-01