



INSTRUCTIONS

-J03720

REV. 2006-09-26

VRSC BRACKET FOR BILLET HEADLAMP SHELL

GENERAL

Kit Number

68211-05

Models

For model fitment information, please see the P&A Retail Catalog or the Parts and Accessories section of www.harley-davidson.com (English only).

Additional Parts Required

VRSCA and VRSCB models require the separate purchase of Billet Headlamp Shell Kit 67704-03, which is available from a Harley-Davidson dealer. VRSCA models also require the separate purchase of Headlamp 68297-05, while VRSCB models use the original equipment lens assembly (including gasket and boot).

WARNING

The rider's safety depends upon the correct installation of this kit. Use the appropriate service manual procedures. If the procedure is not within your capabilities or you do not have the correct tools, have a Harley-Davidson dealer perform the installation. Improper installation of this kit could result in death or serious injury. (00333a)

NOTE

This instruction sheet references Service Manual information. A Service Manual for your model motorcycle is required for this installation and is available from a Harley-Davidson dealer.

Kit Contents

See Figure 6 and Table 1.

CAUTION

When replacement is required, use only the specified sealed beam unit or bulb, available from a Harley-Davidson dealer. An improper wattage sealed beam or bulb, can cause charging system problems. (00209a)

CAUTION

Never touch the quartz bulb. Fingerprints will etch the glass and decrease bulb life. Grab the bulb with paper or a clean, dry cloth. Failure to do so could result in bulb damage. (00210a)

WARNING

Handle bulb carefully and wear eye protection. Bulb contains gas under pressure, which, if not handled carefully, could cause serious eye injury. (00062b)

REMOVAL

VRSCA Models

1. Remove windshield (if equipped). Refer to appropriate Instruction Sheet for procedures.
2. Remove right side cover and maxi-fuse. Refer to MAXI-FUSE in Service Manual.
3. See Figure 1. Disconnect headlamp connector (1) from vehicle wire harness.
4. Remove two screws (2), headlamp mounting bracket (3), and headlamp assembly (4) from upper bracket.

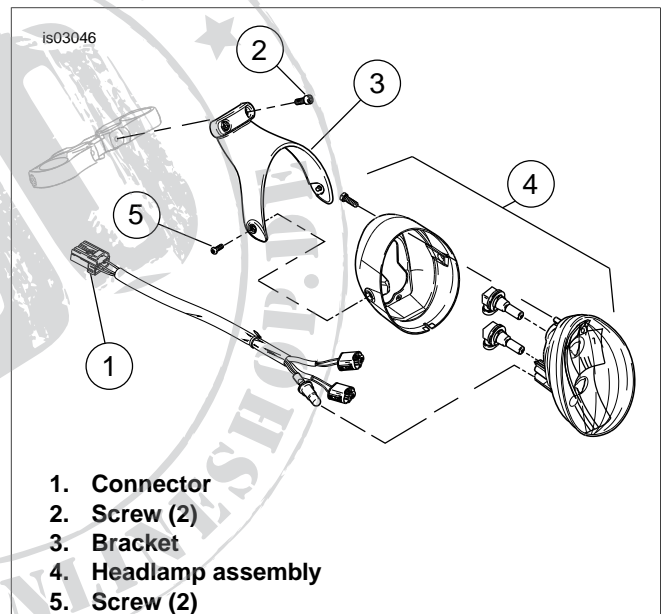


Figure 1. VRSCA Headlamp Assembly

VRSCB Models

1. Remove windshield (if equipped). Refer to appropriate Instruction Sheet for procedures.
2. Remove right side cover and maxi-fuse. Refer to MAXI-FUSE in Service Manual.
3. See Figure 2. Disconnect headlamp connector (1) from vehicle wire harness.
4. Remove two screws (2), headlamp assembly (3), and headlamp mounting bracket (4) from upper bracket.
5. Remove nut (5), screw (6), and trim ring (7) from headlamp.
6. Remove lens assembly (8) from headlamp shell (9). Save lens assembly for Billet Headlamp Shell Kit 67704-03 installation.

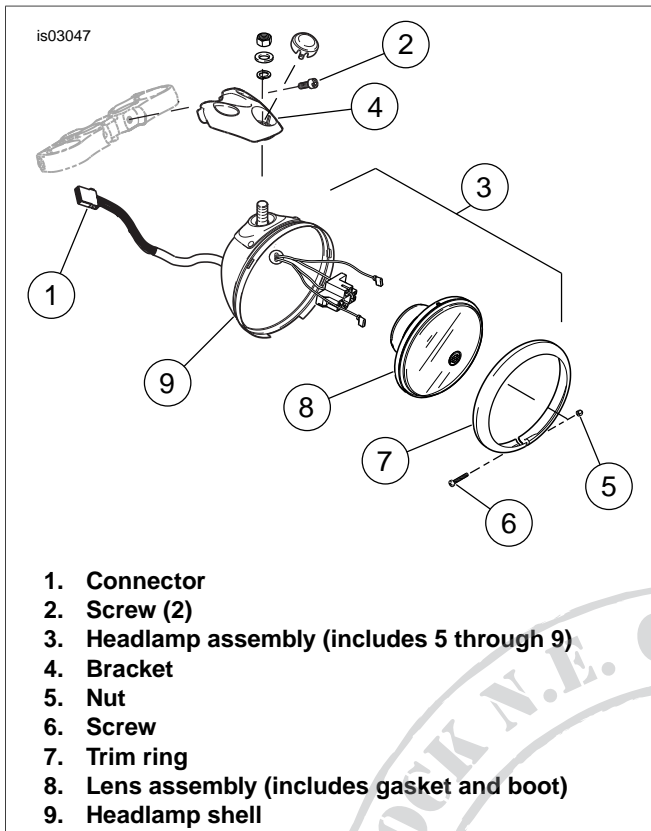


Figure 2. VRSCB Headlamp Assembly

INSTALLATION

2004-Earlier VRSCA and VRSCB Models

1. Assemble Chrome Billet Headlamp Shell Kit (67704-03). Refer to Instruction Sheet-J03018.

NOTES

VRSCA models use Headlamp 68297-05, while VRSCB models use original equipment lens assembly (including gasket and boot).

Adapter ring from kit (Figure 6, Item 1) will be used to install billet headlamp assembly on Instruction Sheet-J03018.

2. See Figure 3. Cut the two connectors (1) from existing headlamp wire harness (2). Be sure to cut the wires as close to the back of the connector as possible.
3. See Figure 6. Route new wire harness (2) through the hole in bottom of the billet headlamp shell (A).

NOTE

Only one 16 AWG wire will fit into pin terminals included in kit. Both black wires (ground) can be joined together, then connected to a single wire, if desired.

4. Tape end of one black wire with electrical tape and secure it to wire harness.
5. See Figure 3 and Figure 6. Install terminal pin (3) and socket housing (4) onto new wire harness (Figure 6, Item 2). Refer to MULTILOCK ELECTRICAL CONNECTORS in Service Manual for installing socket/pin terminals.

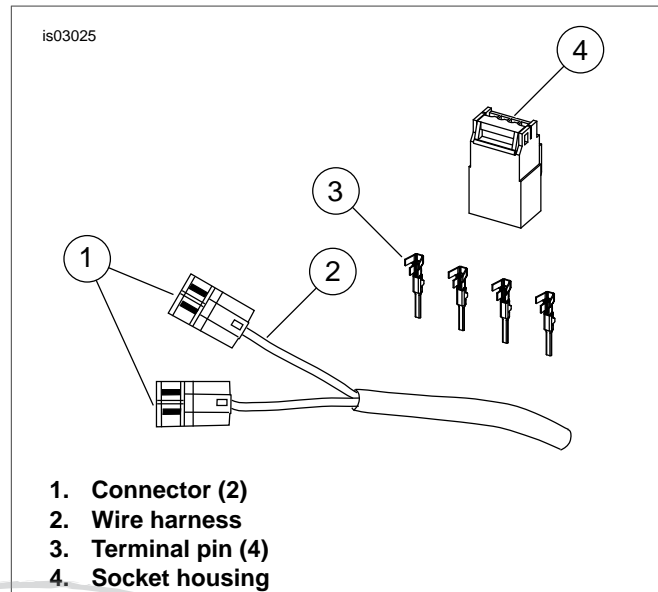


Figure 3. 2004-Earlier VRSCA and VRSCB Headlamp Wire Harness

2005-Later VRSCA and VRSCB Models

1. Assemble Chrome Billet Headlamp Shell Kit (67704-03). Refer to Instruction Sheet-J03018.

NOTES

VRSCA models use Headlamp 68297-05, while VRSCB models use original equipment lens assembly (including gasket and boot).

Adapter ring from kit (Figure 6, Item 1) will be used to install billet headlamp assembly on Instruction Sheet-J03018.

2. Disconnect and discard existing wire harness.
3. See Figure 6. Connect new wire harness (2) to billet headlamp shell (A).
4. Route wire harness (2) through hole in bottom of billet headlamp shell (A) before installing socket housing (4) provided in kit.

NOTE

Brake hose bracket (not shown) may need to be removed to install headlamp base fastener (B).

2002-Later VRSCA and VRSCB Models

1. See Figure 6. Place headlamp base fastener (B) through bottom mounting plate (5) and spacer (6).
2. Position assembled bottom mounting plate and spacer below lower triple clamp (not shown), and thread fastener into billet headlamp base (A).
3. Install headlamp mounting plate (7) and triple clamp filler (8). Triple clamp filler must be installed with chamfered edge up.
4. Secure triple clamp filler with chrome socket head cap screws (9). Tighten screws to 4.5-7.5 Nm (40-66 in-lbs).

NOTE

Avoid damage to electrical system. Be sure headlamp harness terminals plug into proper terminals of the bike wire harness.

5. Connect headlamp harness male connector to female harness connector.

WARNING

Be sure that all lights and switches operate properly before operating motorcycle. Low visibility of rider can result in death or serious injury. (00316a)

6. Install right side cover and maxi-fuse. Refer to MAXI-FUSE in Service Manual.
7. Install windshield (if equipped). Refer to appropriate Instruction Sheet for procedures.

HEADLAMP ALIGNMENT

WARNING

The automatic-on headlamp feature provides increased visibility of the rider to other motorists. Be sure headlamp is on at all times. Poor visibility of rider to other motorists can result in death or serious injury. (00030b)

1. Verify correct front and rear tire pressure. See TIRES AND WHEELS in Service Manual.
2. Place motorcycle on level floor (or pavement) in an area with minimum light.
3. See Figure 4. Position motorcycle 7.6 m (25 ft) away from a screen or wall. Measure the vertical distance from center of headlamp to floor, and draw a horizontal line on screen or wall at same height above floor.

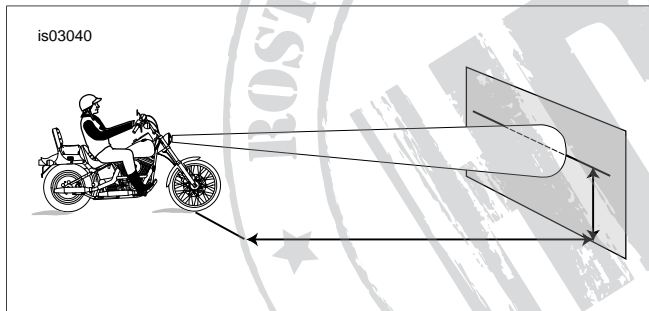


Figure 4. Headlamp Alignment

4. Load vehicle with rider, passenger (if normally present) and any cargo. Weight will compress vehicle suspension slightly.
5. Stand motorcycle upright with both tires on floor and front wheel held in straight alignment (direct forward).
6. See Figure 5. Turn ignition switch ON. Set handlebar headlamp switch to HI beam position.

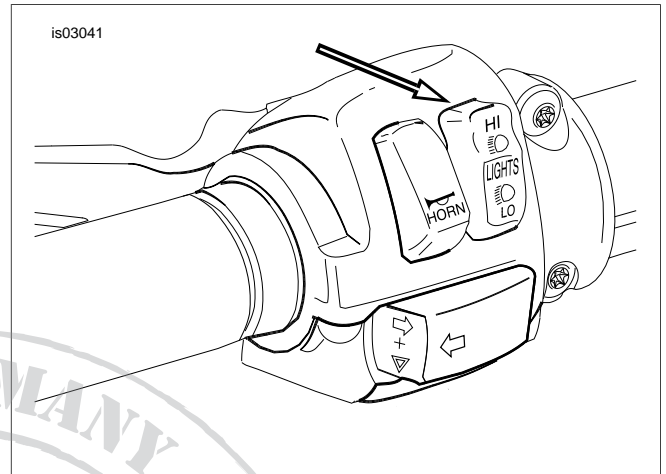


Figure 5. Headlamp Switch

7. Check light beam for alignment.
 - a. The main, which is a broad, flat pattern of light, should be centered equally above and below the horizontal line.
 - b. The main beam of light should also be directed straight ahead. Properly adjusted headlamps project an equal area of light to right and left of center.
 - c. Adjust headlamp if necessary.

SERVICE PARTS

is03109

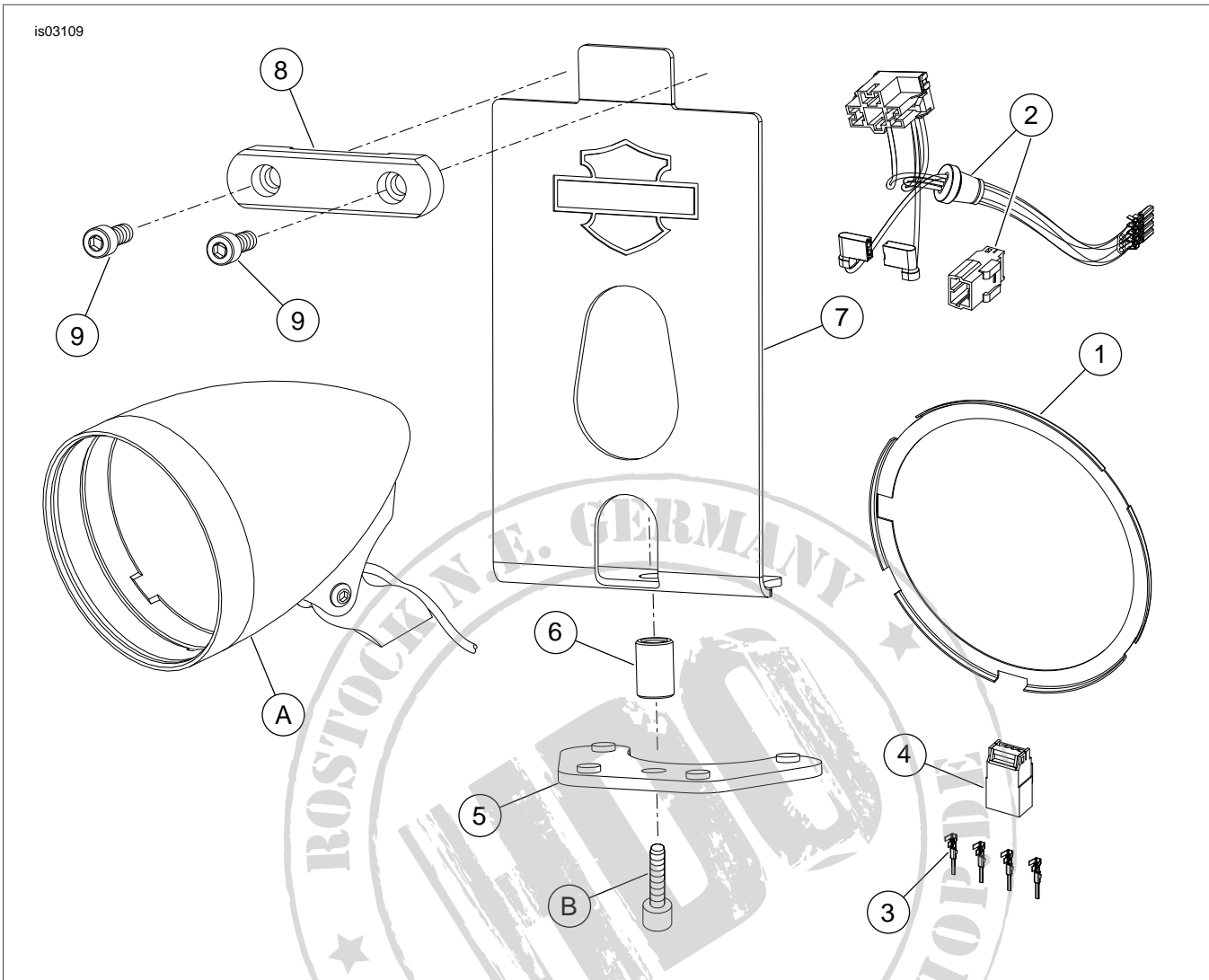


Figure 6. Service Parts: VRSC Bracket for Billet Headlamp Shell

Table 1. Service Parts: VRSC Bracket for Billet Headlamp Shell

Item	Description (Quantity)	Part Number	Item	Description (Quantity)	Part Number
1	Ring, adapter	67769-93	7	Mounting plate, headlamp	68231-05
2	Wire harness, headlamp	68529-05	8	Filler, triple clamp	68243-05
3	Pin, terminal, 820-16 AWG (4)	73190-96	9	Screw, socket head cap, smooth M8 x 1.25 x 20 mm lg, chrome (2)	94020-03
4	Housing, socket 4-place	73104-96BK	A	Shell, billet headlamp	Not Part of Kit
5	Mounting plate, bottom	68232-05	B	Screw, headlamp base	Not Part of Kit
6	Spacer, billet headlamp mount	68539-05			