



INSTRUCTIONS

-J01788

REV. 9-25-03

Kit Number 68185-00

CHROME TURN SIGNAL FRONT SWIVEL KIT

General

This Turn Signal Swivel Kit is designed for replacing the existing Front Turn Signal Mounts on XL, FLSTC, FLSTS, FLSTF FXSTS, FXD, FXDL and FXDWG Model Motorcycles.

See Service Parts illustration for kit contents.

Installation

Left Side

1. Remove acorn nut and lockwasher that holds the left side rear view mirror in place, but do not remove mirror.
2. See Service Parts illustration. Assemble ball receptacle (4) onto end of rear view mirror using lockwashers (5) placed below receptacle, and original acorn nut. A dimple on the ball receptacle will fit over a small bump on the underside of the clutch lever housing when the receptacle is properly aligned.
3. Place ball stud (3) through ball stud clamp (2) and thread on jamnut (6). Screw ball stud assembly into left side lamp housing. Tighten jamnut against lamp housing.

4. Attach lamp housing to handlebar housing by screwing ball stud clamp onto receptacle. Point turn signal straight ahead then tighten ball stud clamp securely to hold lamp in place.

Right Side

5. Remove acorn nut and lockwasher that holds the right side rear view mirror in place, but do not remove mirror.
6. Place remaining lockwasher (5) over end of rear view mirror, then screw retainer (1) onto end of mirror to hold mirror in place.
7. Place ball stud (3) through ball stud clamp (2) and thread on jamnut (6). Screw ball stud assembly into right side lamp housing. Tighten jamnut against lamp housing.
8. Attach lamp housing to handlebar housing by screwing ball stud clamp onto retainer. Point turn signal straight ahead then tighten ball stud clamp securely to hold lamp in place.



Service Parts

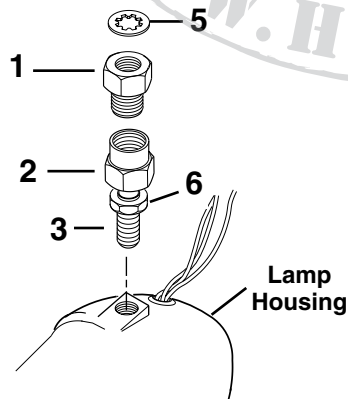
Part No. 68185-00

Date 9/03

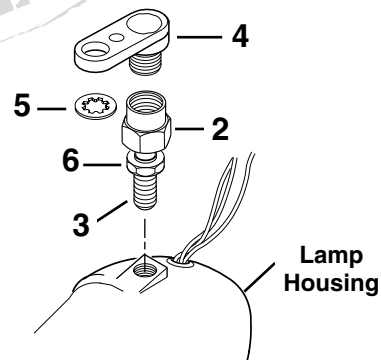
Turn Signal Front Swivel Assembly Kit

i01926.eps

RIGHT SIDE



LEFT SIDE



Item	Description	Part No.	Item	Description	Part No.
1	Retainer, mirror/directional	Not sold	4	Ball, receptacle	Not sold
2	Clamp, ball stud (2)	Not sold	5	Lockwasher (2)	7127
3	Mount, ball stud (2)	Not sold	6	Nut, hex jam (2)	7912