



INSTRUCTIONS

-J01340

REV. 8-2-2004

Kit Number 68129-97 and 69730-01

HEADLAMP VISOR KIT

General

This kit is designed to fit:

- 1995 and later XL models (except XL custom)
- 1995 and later FXD models (except FXDWG)
- 1982 to 1994 FXR, FXRS models

NOTE

A Service Manual for your motorcycle is available from your Harley-Davidson Dealer.

See Service Parts illustration for kit contents.

Installation

1. See Service Parts illustration. Install the edge gasket (5) to the headlamp visor (2). The gasket should be installed at the headlamp opening as indicated in illustration. When installing gasket, start at the top of the headlamp opening and work gasket into place, finishing with the seam at the top.
2. **For 2005 and later Dyna models**, remove the instrument assembly to access the headlamp visor mounting bolts. Place a protective cloth on the fuel tank to prevent scratches. Remove the instrument bracket bolts and set the instrument assembly out of the way.
3. See Figure 1. Remove the plug off the top of the headlight with a small flat screwdriver.
4. Remove the nut underneath the plug as shown. Replace the nut with the hex spacer (4) from kit. Leave the nut loose until Step 5 is complete.
5. Align and secure headlamp using procedure in appropriate Service Manual.
6. Attach the rubber mount (3) to the hex spacer (4) and tighten securely.
7. Remove the bolts attaching the headlamp bracket to the vehicle. Attach the visor mount bracket (2) to the top of the headlamp bracket as follows:

Dyna models: bolts (8), washers (11) and spacer (10) as shown.

Sportster models: bolts (8), washers (11) and spacer (9) as shown.

Attach visor mounting bracket with screw (6) and washer (7) to rubber isolator mount. Leave bracket loose until Step 7.

8. Attach visor to visor mount bracket with three screws (6) and washers (7) as shown. Align the complete headlamp visor assembly flush to the rim of the headlight and tighten all screws to 40 **in-lbs** (4.5 Nm). Tighten the bolts (8) to 12–15 ft-lbs (16.3–20.3).

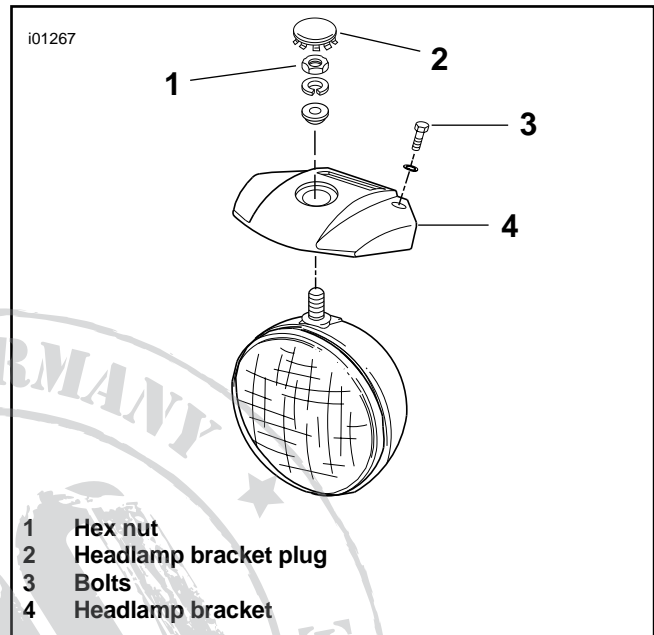


Figure 1. Headlamp assembly

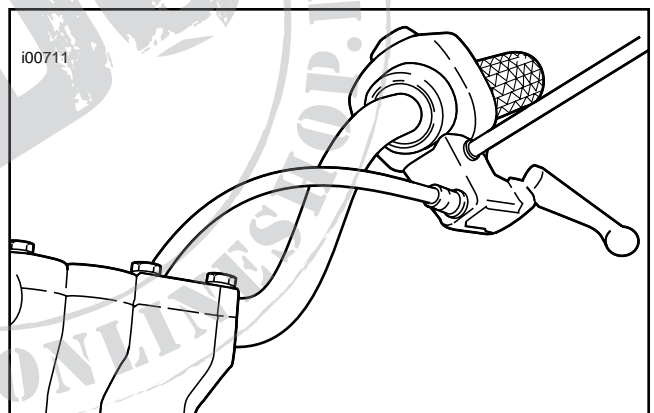


Figure 2. New Clutch Cable Routing

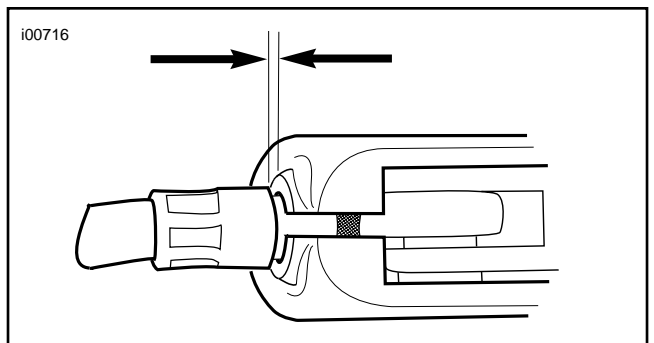


Figure 3. Clutch Cable Adjustment

9. **For 2005 and later Dyna models**, re-install the instrument assembly previously removed in Step 2. Adjust the handlebars and tighten the screws to 70–80 **in-lbs** (7.9–9.0 Nm).

NOTE

If the clutch cable is rubbing on the headlamp visor, proceed to Step 10.

10. See Figure 2. Relocate clutch cable to the inside of the handlebars as shown in illustration as follows:
- Slide rubber boot off cable adjuster. Adjuster is located approximately halfway along clutch cable by the front frame downtube.
 - Holding cable adjuster with 1/2 inch wrench, loosen jam nut using a 9/16 inch wrench. Back jam nut away from cable adjuster. Move adjuster toward jam nut to introduce a large amount of freeplay at the hand lever.

- Remove small snap ring from pivot pin groove at bottom of clutch lever bracket. Remove pivot pin and clutch hand lever from bracket.
- Reroute clutch cable to the inside of the handlebars as shown in Figure 2 and reconnect clutch cable to clutch lever by reversing step c.
- Turn cable adjuster away from jam nut until slack is eliminated at hand lever. Pull clutch cable ferrule away from clutch lever bracket to check free play. Turn cable adjuster as necessary to obtain 1/16 to 1/8 inch (1.6–3.2 mm) free play between end of cable ferrule and clutch lever bracket as shown in Figure 3.
- Hold adjuster with 1/2 inch wrench. Using 9/16 inch wrench, tighten jam nut against cable adjuster. Cover cable adjuster mechanism with rubber boot.

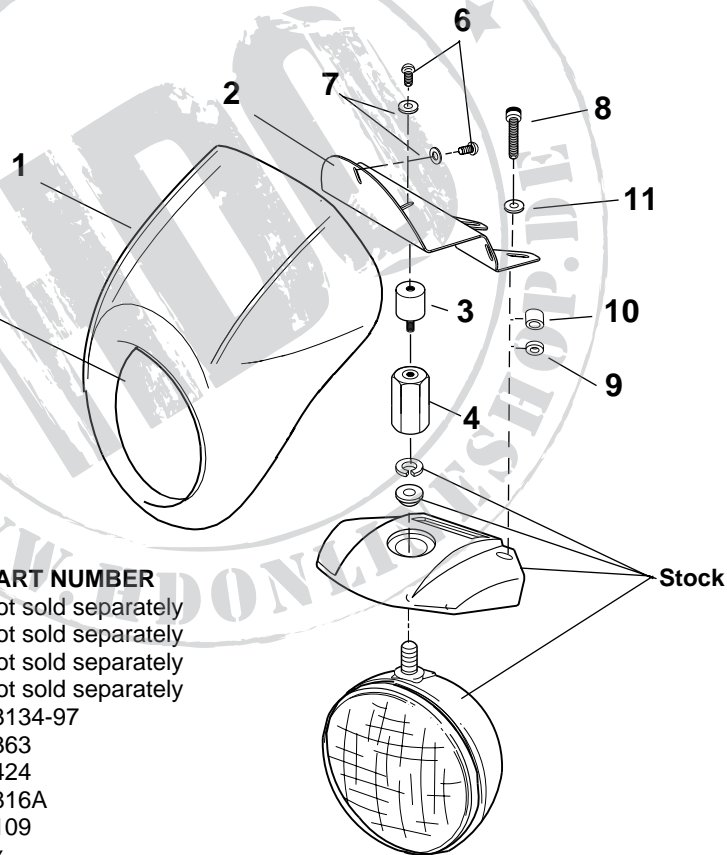


Service Parts

Part No. 68129-97, 69730-01 | Date 8/04

Headlamp Visor Kit

NOTE
Place gasket around interior edge of headlamp visor opening



ITEM	DESCRIPTION	PART NUMBER
1	Headlamp visor	Not sold separately
2	Visor mount bracket	Not sold separately
3	Rubber isolator mount	Not sold separately
4	Hex spacer	Not sold separately
5	Rubber gasket (not shown)	68134-97
6	Screw (4)	4363
7	Washer (4)	6424
8	Bolt (2)	4816A
9	Spacer, .125 in. thick (2)	6109
	<i>Item 9 is used on Sportsters only</i>	
10	Spacer, .46 in. thick (2)	5751
	<i>Item 10 is used on Dynas only</i>	
11	Washer, 5/16 (2)	6702