



# INSTRUCTIONS

-J04805

REV. 2009-11-24

## FLAT LENS LED REAR TURN SIGNAL LAMP KITS

### GENERAL

#### Kit Numbers

68127-10, 68128-10

#### Models

For model fitment information, see the P&A retail catalog or the Parts and Accessories section of [www.harley-davidson.com](http://www.harley-davidson.com) (English only).

#### Tools and Supplies Required

A Terminal Pick (Snap-On® TT600-3 or equivalent) will aid in the installation of this kit.

### ⚠ WARNING

The rider's safety depends upon the correct installation of this kit. Use the appropriate service manual procedures. If the procedure is not within your capabilities or you do not have the correct tools, have a Harley-Davidson dealer perform the installation. Improper installation of this kit could result in death or serious injury. (00333a)

#### NOTE

*This instruction sheet refers to service manual information. A service manual for this year/model motorcycle is required for this installation and is available from a Harley-Davidson dealer.*

#### Electrical Overload

### CAUTION

It is possible to overload your motorcycle's charging system by adding too many electrical accessories. If your combined electrical accessories operating at any one time consume more electrical current than your vehicle's charging system can produce, the electrical consumption can discharge the battery and cause vehicle electrical system damage. See a Harley-Davidson dealer for advice about the amount of current consumed by additional electrical accessories, or for necessary wiring changes. (00211b)

### ⚠ WARNING

When installing any electrical accessory, be certain not to exceed the maximum amperage rating of the fuse or circuit breaker protecting the affected circuit being modified. Exceeding the maximum amperage can lead to electrical failures, which could result in death or serious injury. (00310a)

This Flat Lens LED Rear Turn Signal Lamp Kit requires up to **516 mA** additional current from the electrical system.

#### Kit Contents

See Figure 3, Table 1 and Table 2.

### PREPARATION

#### Models with main fuse:

### ⚠ WARNING

To prevent accidental vehicle start-up, which could cause death or serious injury, remove main fuse before proceeding. (00251b)

1. Refer to the service manual and follow the instructions given to remove the main fuse.

#### Models with main circuit breaker:

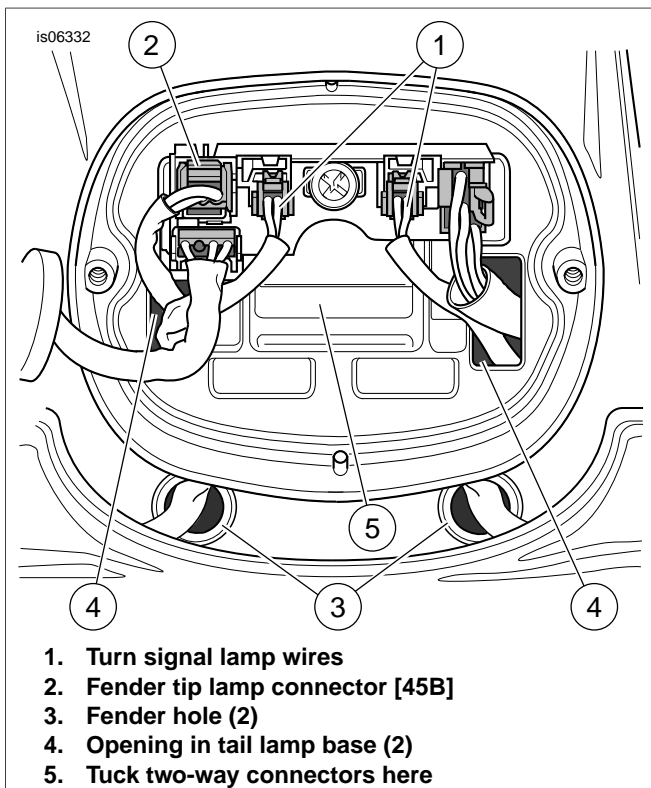
### ⚠ WARNING

To prevent accidental vehicle start-up, which could cause death or serious injury, disconnect negative (-) battery cable before proceeding. (00048a)

1. Refer to the service manual and follow the instructions given to remove the seat and disconnect the negative (black) battery cable from the negative (-) battery terminal. Retain all seat mounting hardware.
2. If necessary for access, remove the saddlebags per service manual instructions.

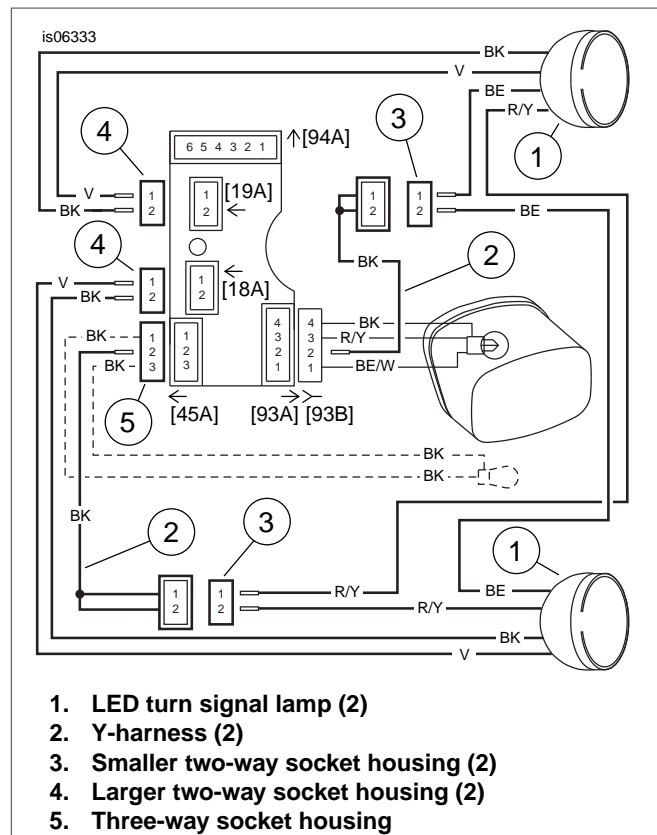
### INSTALLATION

1. Follow the instructions in the service manual to remove the rear turn signal lamps with the following exceptions:
  - a. Removing the terminals from the OE two-way turn signal lamp socket housings [18B] and [19B] is not necessary. After disconnecting the OE socket housings from the tail lamp base, cut the OE turn signal lamp wires (1) from the socket housings to allow removal of the wires through the turn signal mounting bar. See Figure 1
  - b. Unplug the three-way fender tip lamp connector [45B] (2) from the tail lamp base, if so equipped.



**Figure 1. Tail Lamp Base Electrical Connections**

2. Install the **new** turn signal lamp assemblies to the ends of the turn signal mounting bar and alternately tighten the screws to 30-50 **in-lbs** (3.4-5.6 Nm).
3. Route the turn signal lamp wires and conduit through the channel in the turn signal mounting bar, then feed through the fender holes (3) just below the tail lamp base.
4. Capture the conduit in the cable clip under the fender.
5. Feed the wiring through the openings (4) in the tail lamp base.
6. See Figure 2 and Figure 3. Insert the red/yellow wires and terminals from **both** turn signal lamps (1) into the cavities of one of the **smaller** two-way socket housings (3) from the kit.  
Insert the blue wires and terminals from both turn signal lamps into the cavities of the remaining small two-way socket housing (3).
7. Plug each socket housing (3) into a Y-harness (2) from the kit.
8. Insert the violet wire and terminal from one of the turn signal lamps into cavity 1 of a larger two-way socket housing (4) from the kit.  
Insert the black wire and terminal from the **same** turn signal lamp into cavity 2 of the **same** socket housing (4).
9. Repeat Step 8 with the remaining turn signal lamp and socket housing (4).
10. Unlatch the secondary lock feature on the four-way tail lamp socket housing [93B]. Select the Y-harness connected to the blue wires from both turn signal lamps. Insert the Y-harness terminal into cavity 2 of socket housing [93B].



**Figure 2. Wiring Diagram, Flat Lens LED Rear Turn Signal Lamp Kits**

11. Select the Y-harness connected to the red/yellow wires from both turn signal lamps.  
**Models WITH fender tip lamp:** Unlatch the secondary lock feature on the three-way fender tip lamp socket housing [45B]. Insert the Y-harness terminal into cavity 2 of socket housing [45B].  
**Models WITHOUT fender tip lamp:** Unlatch the secondary lock feature on the three-way socket housing (5) from the kit. Insert the Y-harness terminal into cavity 2 of socket housing (5).  
**ALL Models:** Orient the socket housing so the release button is at the top, and insert into receptacle [45A] in the tail lamp base until it "clicks".
12. With the release button at the top, plug the two-way socket housing from the left-side turn signal into receptacle [18A] in the tail lamp base.  
Plug the two-way socket housing from the right-side turn signal into receptacle [19A] in the tail lamp base.
13. See Figure 1. Tuck the two-way socket housings from the turn signals into the recessed area (5) in the tail lamp base.  
**NOTE**  
*Verify that the tail lamp conduit is positioned outboard of the rear fender tip lamp and left turn signal lamp harnesses.*
14. With the release button at the bottom, plug the four-way tail lamp socket housing into receptacle [93A] in the tail lamp base.
15. Peel the liner from the adhesive backing of one of the Bar & Shield emblems (6) from the kit. Orient the emblem with the logo upright, and carefully position the emblem to the recessed area in the center of the turn signal lens. Press

firmly into place, ensuring that the edge is securely fastened all around.

Repeat for the remaining turn signal.

**NOTE**

Allow **AT LEAST 24 hours** after applying the emblem before exposing the area to vigorous washing, strong water spray or extreme weather.

**RETURN TO SERVICE**

**NOTE**

Verify that the ignition key switch is in the **OFF** position **before** installing the main fuse or attaching the negative battery cable.

1. **Models with main fuse:** Refer to the service manual and follow the instructions given to install the main fuse.

**Models with main circuit breaker:** Refer to the service manual and follow the instructions given to attach the negative battery cable.

Apply a light coat of Harley-Davidson electrical contact lubricant (H-D Part No. 99861-02), petroleum jelly or corrosion retardant material to the negative battery terminal.

**WARNING**

**Be sure that all lights and switches operate properly before operating motorcycle. Low visibility of rider can result in death or serious injury. (00316a)**

2. Turn the ignition key switch to **IGNITION**, but do not start the motorcycle.  
Test for proper turn signal, tail lamp and stop lamp operation.

**WARNING**

**After installing seat, pull upward on seat to be sure it is locked in position. While riding, a loose seat can shift causing loss of control, which could result in death or serious injury. (00070b)**

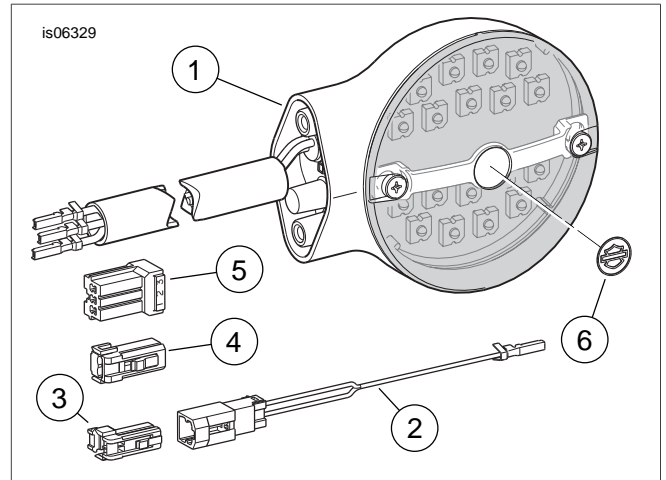
3. Refer to the service manual, and follow instructions to install the seat.

**NOTE**

Over tightening screws can crack the lens.

4. Install the tail lamp and tighten the screws to **20-24 in-lbs** (2.3- 2.7 Nm).

**SERVICE PARTS**



**Figure 3. Service Parts, Flat Lens LED Rear Turn Signal Lamp Kits**

**Table 1. Service Parts, Kit 68127-10 (Smoked Lens)**

Item	Description (Quantity)	Part Number
1	Rear turn signal lamp, flat lens, smoked, LED (2)	68495-10
2	Y-harness, LED rear turn signal (2)	69138-10
3	Socket housing, two-way, AMP Series 040 unsealed (2)	72912-01BK
4	Socket housing, two-way, AMP Series 070 Multilock (2)	73152-96BK
5	Socket housing, three-way, Multilock	73153-96BK
6	Emblem, Bar & Shield logo (2)	14447-94

**Table 2. Service Parts, Kit 68128-10 (Red Lens)**

Item	Description (Quantity)	Part Number
1	Rear turn signal lamp, flat lens, red, LED (2)	68473-10
2	Y-harness, LED rear turn signal (2)	69138-10
3	Socket housing, two-way, AMP Series 040 unsealed (2)	72912-01BK
4	Socket housing, two-way, AMP Series 070 Multilock (2)	73152-96BK
5	Socket housing, three-way, Multilock	73153-96BK
6	Emblem, Bar & Shield logo (2)	14447-94