



# INSTRUCTIONS

-J05933

2017-01-17

## ENGINE GUARD MOUNTED LED BULLET FOG LAMP KITS

### GENERAL

#### Kit Numbers

68000090, 68000092

#### Models

For model fitment information, see the P&A retail catalog or the Parts and Accessories section of [www.harley-davidson.com](http://www.harley-davidson.com) (English only).

This kit is designed for use only with engine guards that:

\* are vertical when viewed from the front with the motorcycle upright, and

\* have a diameter of

31.8 mm (1¼ in).

**NOTE:** Facing the fog lamp lens, with the Bar & Shield logo at the top, lamps are identified as "left" or "right" based on direction of wire lead exit from the lamp housing, as if the lamps were mounted **outboard** of the engine guard. Harley-Davidson recommends **inboard** mounting of engine guard fog lamps. However mounted, the Bar & Shield logo **must** appear at the top of the lens. See Figure 1.

This kit is not compatible with soft fairing lowers.

#### NOTE

*This kit may not conform to local lighting regulations. Check local laws.*

### Installation Requirements

Separate purchase of an LED Bullet Fog Lamp Mounting Bracket Kit and a Fog Lamp Wire Harness Kit are required for proper installation of this kit.

Electrical Contact Lube (H-D Part No. 99861-02) or equivalent is required after battery cable disconnection.

These items are available from a Harley-Davidson dealer.

#### ▲ WARNING

**The rider's safety depends upon the correct installation of this kit. Use the appropriate service manual procedures. If the procedure is not within your capabilities or you do not have the correct tools, have a Harley-Davidson dealer perform the installation. Improper installation of this kit could result in death or serious injury. (00333a)**

#### NOTE

*This instruction sheet references service manual information. A service manual for this year/model motorcycle is required for this installation. One is available from a Harley-Davidson dealer.*

### ELECTRICAL OVERLOAD

#### NOTICE

It is possible to overload your vehicle's charging system by adding too many electrical accessories. If the combined electrical accessories operating at any one time consume more electrical current than the vehicle's charging system can produce, the electrical consumption can discharge the battery and cause damage to the vehicle's electrical system. See an authorized Harley-Davidson dealer for advice about the amount of current consumed by additional electrical accessories or for necessary wiring changes. (00211c)

#### ▲ WARNING

When installing any electrical accessory, be certain not to exceed the maximum amperage rating of the fuse or circuit breaker protecting the affected circuit being modified. Exceeding the maximum amperage can lead to electrical failures, which could result in death or serious injury. (00310a)

This kit requires up to **700 mA** more current from the electrical system.

### Kit Contents

See Figure 1 and Table 1.

### PREPARATION

#### ▲ WARNING

To prevent accidental vehicle start-up, which could cause death or serious injury, remove main fuse before proceeding. (00251b)

#### NOTE

- **For 2007- later vehicles WITH security siren:** With security fob present, turn ignition switch ON. See the service manual. After system is disarmed, turn ignition switch OFF. **IMMEDIATELY** remove the main fuse.
- **For 2006- earlier vehicles WITH security siren:** Disarm the siren with the key fob or security code. See the service manual to remove the main fuse.
- **For vehicles WITHOUT security siren:** See the service manual. Remove the main fuse.

### INSTALLATION

#### NOTE

*These fog lamps can be mounted inboard or outboard of the engine guard. Harley-Davidson recommends **inboard** mounting of engine guard fog lamps. The fog lamps are side-specific. The lamps **must** be installed with the Bar & Shield logo at the top.*

1. Install the fog lamps to the vehicle per the instructions in the LED Bullet Fog Lamp Mounting Kit.

-J05933



Many Harley-Davidson® Parts & Accessories are made of plastics and metals which can be recycled. Please dispose of materials responsibly.

1 / 2

2. Complete the fog lamp installation per the instructions in the Fog Lamp Wire Harness Kit.

## COMPLETION

### NOTE

To prevent possible damage to the sound system, verify that the ignition is OFF **before** installing the main fuse or attaching the negative battery cable.

1. **Models with main fuse:** See the service manual. Install the main fuse.
2. **Models with main circuit breaker:**
  - a. **ALL models except XL:** See the service manual. Attach the negative battery cable. Apply a light coat of petroleum jelly or corrosion retardant material to battery terminals.
  - b. **XL models only:** See the service manual. Connect the negative battery cable at the engine crankcase.
3. **ALL models:** See the service manual. Install seat. After installing seat, pull up on the seat to verify that it is secure.

## SERVICE PARTS

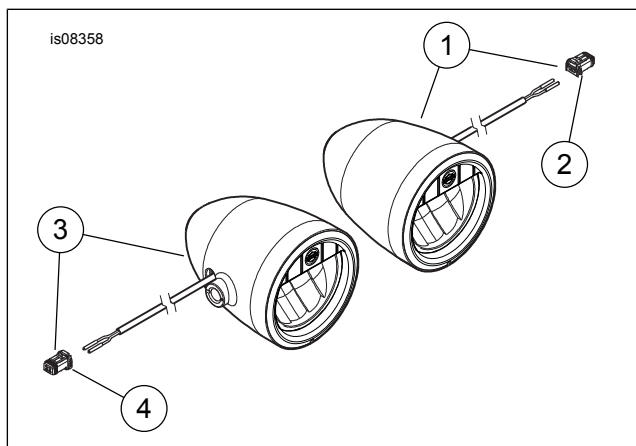


Figure 1. Service Parts, Engine Guard Mounted LED Bullet Fog Lamp Kits For Inboard Mounting As Shown

Table 1. Service Parts

Item	Description (Quantity)	Part Number
<b>For Kit 68000090 (Chrome):</b>		
1	Fog lamp, right exit, chrome (includes Item 2)	68000089
2	Socket housing, two-way	72906-11
3	Fog lamp, left exit, chrome (includes Item 4)	68000156
4	Socket housing, two-way	72906-11
<b>For Kit 68000092 (Black):</b>		
1	Fog lamp, right exit, black (includes Item 2)	68000091
2	Socket housing, two-way	72906-11
3	Fog lamp, left exit, black (includes Item 4)	68000157
4	Socket housing, two-way	72906-11