



INSTRUCTIONS

-J06256

2016-04-01

LED CURVED LICENSE PLATE FRAME AND MOUNT KIT

GENERAL

Kit Numbers

67900273, 67900275

Models

For model fitment information, see the P&A retail catalog or the Parts and Accessories section of www.harley-davidson.com (English only).

Installation Requirements

NOTE

Federal Motor Vehicle Safety Standard (FMVSS) 108 requires illumination of motorcycle license plates. Usage of this Curved License Plate Frame **requires** the correct installation of the lamp mask from this kit for proper license plate illumination.

⚠ WARNING

The rider's safety depends upon the correct installation of this kit. If the procedure is not within your capabilities or you do not have the correct tools, have a Harley-Davidson dealer perform the installation. Improper installation of this kit could result in death or serious injury. (00308a)

NOTE

This instruction sheet refers to service manual information. A service manual for your year/model motorcycle is available from a Harley-Davidson dealer.

ELECTRICAL OVERLOAD

NOTICE

It is possible to overload your vehicle's charging system by adding too many electrical accessories. If the combined electrical accessories operating at any one time consume more electrical current than the vehicle's charging system can produce, the electrical consumption can discharge the battery and cause damage to the vehicle's electrical system. See an authorized Harley-Davidson dealer for advice about the amount of current consumed by additional electrical accessories or for necessary wiring changes. (00211c)

⚠ WARNING

When installing any electrical accessory, be certain not to exceed the maximum amperage rating of the fuse or circuit breaker protecting the affected circuit being modified. Exceeding the maximum amperage can lead to electrical failures, which could result in death or serious injury. (00310a)

This kit requires up to **170 mA** more current from the electrical system at 13.5 VDC.

Kit Contents

See Figure 5 and Table 1.

PREPARATION

⚠ WARNING

To prevent accidental vehicle start-up, which could cause death or serious injury, remove main fuse before proceeding. (00251b)

NOTE

- **WITH security siren:** With security fob present, turn ignition switch ON. See the service manual. Disarm security system. Remove seat and left side cover. Turn ignition switch OFF. **IMMEDIATELY** remove the main fuse.
- **WITHOUT security siren:** See the service manual. Remove seat and left side cover. Remove main fuse.

INSTALLATION

1. See Figure 5. Remove the chrome/black frame (1) from the Curved License Plate Frame assembly. Retain the four flat head screws (4).
2. Remove and retain the two screws securing the light bar (A) to the fender. Carefully pull the light bar away from the fender.

NOTE

ALL models:

- Federal Motor Vehicle Safety Standard (FMVSS) 108 requires illumination of motorcycle license plates. Usage of this Curved License Plate Frame **requires** the correct installation of the lamp mask from this kit for proper license plate illumination.
 - Ambient temperature must be at least 16 °C (60 °F) for proper adhesion of license lamp mask to the license plate lamp.
3. **2014-later models:** Remove the two screws and washers securing the original equipment (OE) license plate mount and reflector assembly to the light bar. Retain the washers and reflector assembly. **2010-2013 models:** Remove the two screws and washers securing the original equipment (OE) license plate mount to the light bar. Retain the screws and washers.
 4. Clean the surface of the OE license plate lamp (B) with a 50/50 mix of isopropyl alcohol and water. Let dry completely.
 5. Get the license lamp mask (5) from the kit.



6. Remove the adhesive backing from the mask. See Figure 1. Install the mask (2) onto the license plate lamp (1) as shown.

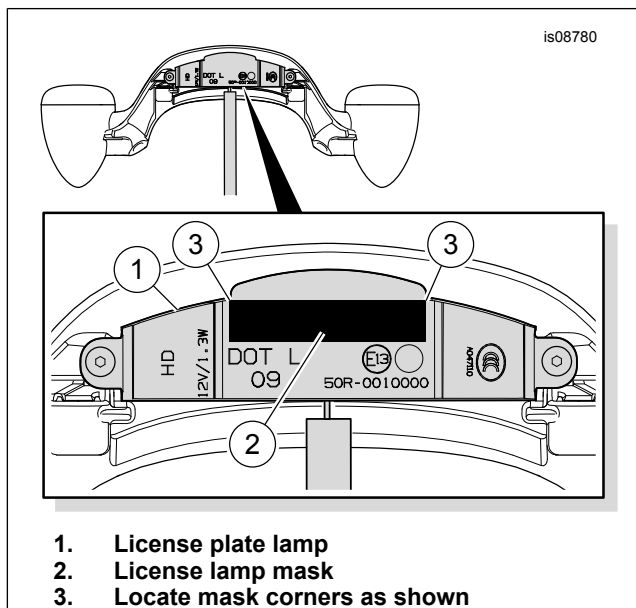


Figure 1. Install License Lamp Mask

7. Remove and discard the OE fender grommet. Get the new grommet (9) from the kit. See Figure 5.
8. Route the light bar and Curved License Plate Frame harness (C) through the split grommet into the underside of the fender.
9. **2014-later models:** Mount the Curved License Plate Frame mount assembly (1) and OE reflector assembly to the light bar (A). Use two **new** screws (8) and the washers saved earlier. Tighten to 6.8–9 N·m (60–80 in-lbs). **2010–2013 models:** Mount the Curved License Plate Frame mount assembly (1) to the light bar (A) with the two screws and washers saved earlier. Tighten to 6.8–9 N·m (60–80 in-lbs).
10. **ALL models:** Mount the light bar assembly to the fender with the two screws removed earlier. Tighten to 9.5–16.3 N·m (7–12 ft-lbs).
11. Route the Curved License Plate Frame harness along the OE rear lighting wiring that runs along the left side frame cover/saddlebag support.
12. **2010–2013 models:** See Figure 2. **2014-later models:** See Figure 3. **ALL models:** Remove the two screws securing the electrical caddy. Tip the caddy outward.
13. Route the harness behind the caddy and up under the seat.
14. Install caddy screws. Tighten to 8.1–10.9 N·m (6–8 ft-lbs).

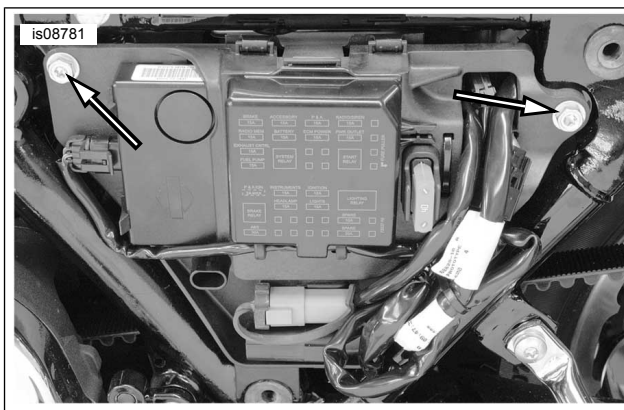


Figure 2. Remove Electrical Caddy Screws (2010-2013 FL Models)

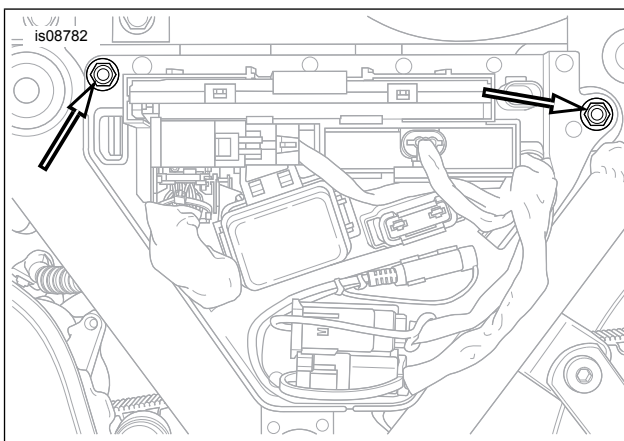


Figure 3. Remove Electrical Caddy Screws (2014-Later FL Models)

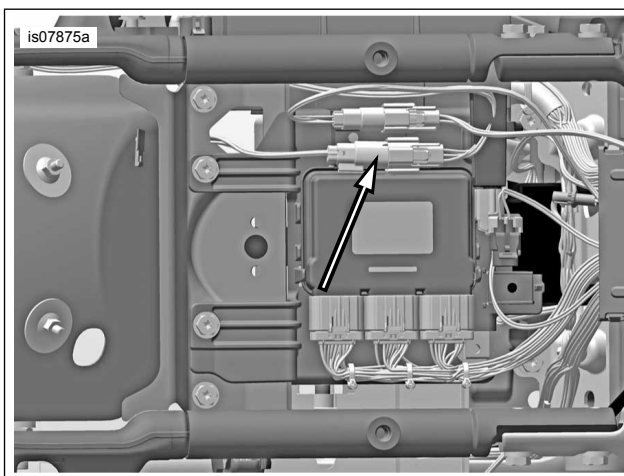


Figure 4. Separate Rear Lighting Connector [7]

15. **2010–2013 models:** Plug the Curved License Plate Frame harness connector into the capped four-way Deutsch P&A Accessory connector [4]. This connector is located under the seat, in front of the Electronic Control Module (ECM). If the P&A Accessory connector is already in use, a dual accessory harness (Part No. 70264-94) is available from a Harley-Davidson dealer. **2014-later models:** Get the license plate lamp Y-harness (11) from the kit.
 - a. See Figure 4. Separate the black six-way Molex rear lighting connector [7] on top of the Electronic Control Module (ECM) caddy.
 - b. Plug the Y-harness into open connectors [7A] and [7B].

NOTE

Verify that the ignition switch is in the OFF position **before** installing the main fuse.

- c. Plug the Curved License Plate Frame connector into the Y-harness.

16. **ALL models:** See the service manual. Install main fuse.

▲ WARNING

Be sure that all lights and switches operate properly before operating motorcycle. Low visibility of rider can result in death or serious injury. (00316a)

17. Check for proper function of rear lighting. With ignition **OFF:** Tail lamps and LED Curved License Plate Frame Lamps are off. Turn ignition switch to **ACC.** Turn ignition switch **ON,** but do not start the motorcycle.

- a. Actuate brake. Rear lamps remain off.
- b. LED Curved License Plate Frame Lamps are illuminated.
- c. Actuate front brake lever or rear brake pedal. LED Curved License Plate Frame Lamps noticeably brighten, and tail lamps illuminate at full brightness.
- d. Tail lamps and LED Curved License Plate Frame Lamps are illuminated.
- e. Actuate front brake lever or rear brake pedal. LED Curved License Plate Frame Lamps and tail lamps noticeably brighten.

18. Secure the Curved License Plate Frame harness with the cable straps (12) from the kit.

19. Apply the four rectangular foam tape pads (7) to the curved face of the License Plate mount, inboard of each threaded insert.

20. Install the license plate frame (1) over the vehicle license plate. Secure to the base (6) with the flat head screws (4). Tighten to 0.8–1 N·m (7–9 in-lbs).

21. See the service manual. Install left side cover. Install seat.

REAR REFLECTOR INSTALLATION (2010-2013 MODELS)

▲ WARNING

Federal Motor Vehicle Safety Standard (FMVSS) 108 requires motorcycles to be equipped with rear and side reflectors. Be sure rear and side reflectors are properly mounted. Poor visibility of rider to other motorists can result in death or serious injury. (00336b)

NOTE

Ambient temperature must be at least 16 °C (60 °F) for proper adhesion of the reflector assembly (10) to the rear fender.

- 1. Clean the rear fender area beneath the license plate with a 50/50 mix of isopropyl alcohol and water. Let dry completely.
- 2. Before removing the adhesive backing of the reflector assembly, test fit the reflector to the fender. Center the assembly from left to right, so the reflector surface is perpendicular to the ground. Mark the final location.
- 3. Peel the liner from the adhesive backing of the reflector assembly. Carefully position the reflector to the rear fender. Press the reflector firmly into place. Hold the reflector in position with steady pressure for one minute to permit proper adhesion.

NOTE

- Allow **AT LEAST 24 hours** after applying the reflector before exposing the area to vigorous washing, strong water spray or extreme weather.
- The adhesive bond will increase to maximum strength after about 72 hours at normal room temperature.

SERVICE PARTS

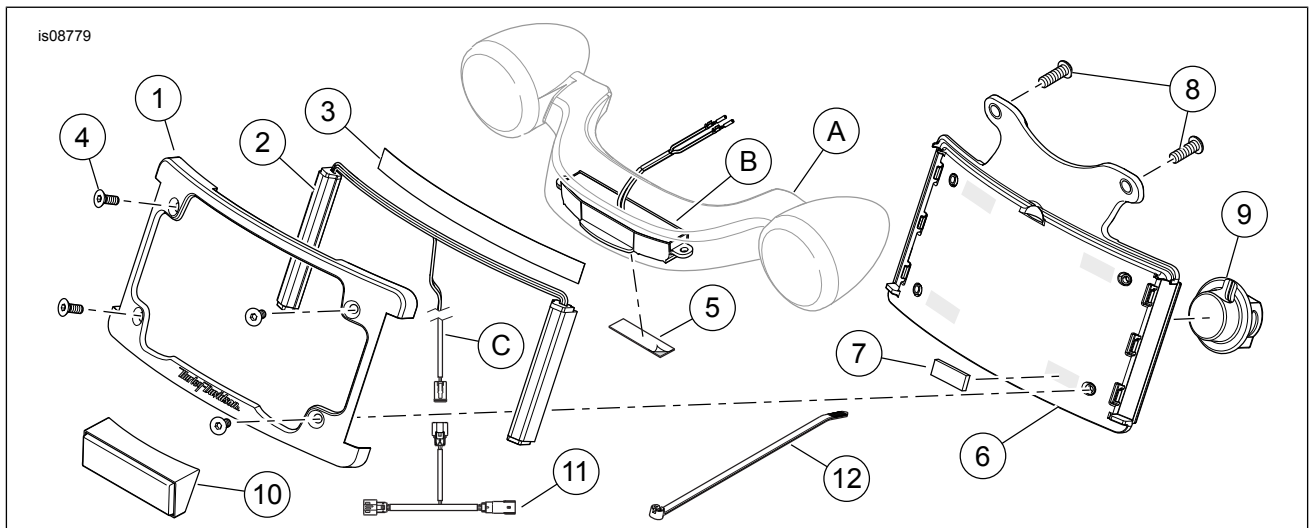


Figure 5. Service Parts, LED Curved License Plate Frame and Mount Kit

Table 1. Service Parts

Item	Description (Quantity)	Part Number
1	Frame, LED curved license plate (black). For Kit 67900273 Frame, LED curved license plate (chrome). For Kit 67900275	67900274 67900276
2	LED lamp and harness assembly (red), curved license plate frame	Not sold separately
3	Tape, polyurethane (clear)	Not sold separately
4	Screw, hex socket flat head, #10-32 (chrome) (4)	42534-82
5	Mask, license plate lamp	Not sold separately
6	Base, curved license plate frame (black)	Not sold separately
7	Tape, foam, adhesive back (4)	Not sold separately
8	Screw, TORX [®] socket head, 1/4-20 x 19 mm (¾ in) long (2)	10200547
9	Grommet, license plate lamp	Not sold separately
10	Reflector and base assembly, FL Touring models	59365-07
11	Wire harness, license plate lamp	Not sold separately
12	Cable strap (6)	10006
Items mentioned in text:		
A	Light bar assembly	
B	License plate lamp assembly	
C	Curved License Plate Frame harness (part of Item 2)	