



INSTRUCTIONS

-J05291

REV. 2010-10-25

CURVED LICENSE PLATE MOUNTING KIT

GENERAL

Kit Numbers

67900008, 67900058

Models

For model fitment information, see the P&A Retail Catalog or the Parts and Accessories section of www.harley-davidson.com (English only).

WARNING

The rider's safety depends upon the correct installation of this kit. If the procedure is not within your capabilities or you do not have the correct tools, have a Harley-Davidson dealer perform the installation. Improper installation of this kit could result in death or serious injury. (00308a)

Kit Contents

Kit includes license plate frame, curved back plate and hardware kit. There are no Service Parts available with this kit.

LICENSE PLATE INSTALLATION

1. Remove and retain the two fasteners securing the light bar to the rear fender.
2. Pull the light bar away from the fender. Remove and retain the two fasteners securing the license plate bracket to the light bar.
3. See Figure 1. Secure back plate from kit to light bar (2) with fasteners (1) retained from previous step. Tighten fasteners to 60-80 **in-lbs** (6.8-9.0 Nm).

NOTE

See Figure 2. In next step, verify wire grommet is in place before completely tightening the fasteners.

4. Install light bar to fender using retained fasteners. Tighten fasteners to 84-144 **in-lbs** (9.0-16.3 Nm)

NOTE

Ambient temperature should be **at least 60° F (16° C)** for proper adhesion of the bumper pad to the rear fender bumper.

5. See Figure 3. Place the 1/2 inch (1.3 mm) bumper pads between the installed back plate and the rear fender bumper.
 - a. Clean the rear fender bumper with a mixture of 50 to 70% isopropyl alcohol and 30 to 50% distilled water. Allow to dry thoroughly.
 - b. Peel the backing from the bumper pad and apply to rear fender bumper. Stack the pads one on top of the other to achieve a tight fit.

NOTE

Use the adhesive foam strips included in the kit to prevent vibration between the back plate and license plate.

6. Install license plate and license plate frame to back plate using fasteners from kit.

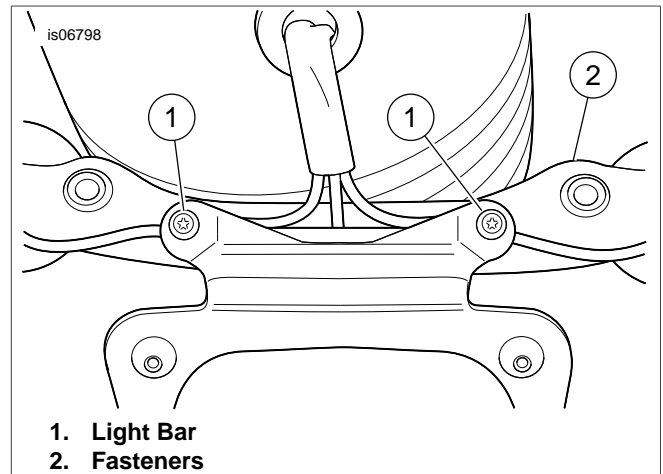


Figure 1. Back Plate

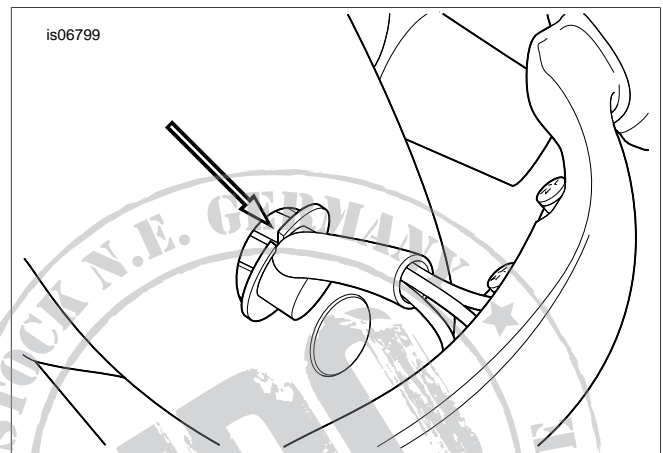


Figure 2. Wire Grommet

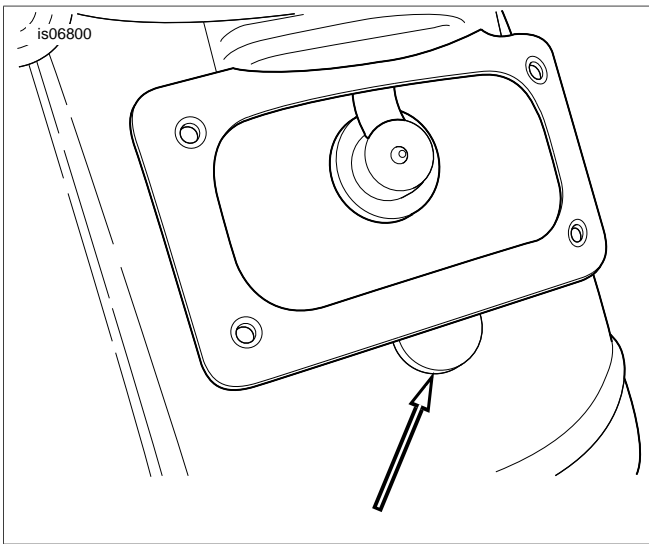


Figure 3. Bumper Pad Locations

REFLECTOR INSTALLATION

⚠ WARNING

Federal Motor Vehicle Safety Standard (FMVSS) 108 requires motorcycles to be equipped with rear and side reflectors. Be sure rear and side reflectors are properly mounted. Poor visibility of rider to other motorists can result in death or serious injury. (00336b)

NOTE

Ambient temperature should be **at least 60° F (16° C)** for proper adhesion of the reflector assembly (12) to the rear fender.

1. Clean the rear fender area beneath the license plate with a mixture of 50 to 70% isopropyl alcohol and 30 to 50% distilled water. Allow to dry thoroughly.
2. Before removing the adhesive backing of the reflector assembly, test fit the reflector to the fender, centered from left to right, so the reflector surface is perpendicular to the ground. Mark the final location.
3. Peel the liner from the adhesive backing of the reflector assembly. Carefully position the reflector to the rear fender, and press firmly into place. Hold the reflector in position with steady pressure for one minute to permit proper adhesion.

NOTES

- Allow **AT LEAST 24 hours** after applying the reflector before exposing the area to vigorous washing, strong water spray or extreme weather.
- The adhesive bond will increase to maximum strength after about 72 hours at normal room temperature.

