



INSTRUCTIONS

-J01709

REV. 2006-11-01

TRIPLE CLAMP COVER MOULDING KIT

GENERAL

Kit Number

67891-99

Models

For model fitment information, please see the P&A Retail Catalog or the Parts and Accessories section of www.harley-davidson.com (English only).

Additional Parts Required

This kit is designed to be used with Chrome Fork Cover Kit, Part Number 67890-91A.

⚠ WARNING

The rider's safety depends upon the correct installation of this kit. Use the appropriate service manual procedures. If the procedure is not within your capabilities or you do not have the correct tools, have a Harley-Davidson dealer perform the installation. Improper installation of this kit could result in death or serious injury. (00333a)

NOTE

A Service Manual for your model motorcycle is available from a Harley-Davidson Dealer.

Kit Contents

Table 1. Kit Contents

Description (Quantity)	Part Number
Chrome triple-clamp cover moulding (2)	Not Sold Separately
Chrome cap screw	Not Sold Separately

There are no Service Parts available with this kit.

INSTALLATION

1. See Figure 1. Remove the screws fastening the stock moulding to the triple-clamp cover (3).
2. Fasten the new moulding (1) to the triple-clamp cover as shown. Tighten the screws (2) until snug.

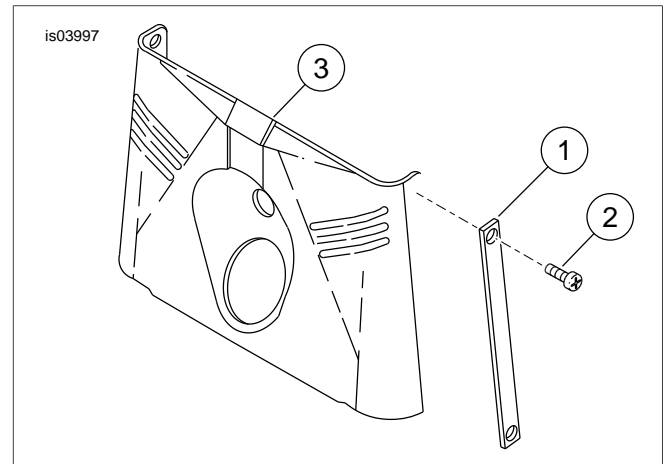


Figure 1. Triple clamp moulding

