



INSTRUCTIONS

-J05841

2015-07-15

SADDLEBAG RUN/BRAKE/TURN LIGHT KIT

GENERAL

Kit Number

67800241, 67800241A, 67800242, 67800242A, 67800448, 67800448A, 67800449, 67800449A, 67800450, 67800450A, 67800451, 67800451A, 67800604, 67800605, 67800606, 67800607, 67800608, 67800609

Models

For model fitment information, see the P&A retail catalog or the Parts and Accessories section of www.harley-davidson.com (English only).

Installation Requirements

▲ WARNING

The rider's safety depends upon the correct installation of this kit. If the procedure is not within your capabilities or you do not have the correct tools, have a Harley-Davidson dealer perform the installation. Improper installation of this kit could result in death or serious injury. (00308a)

NOTE

- Ambient temperature must be between 21–38 °C (70–100 °F) for proper adhesion. Do not install under 10 °C (50 °F).
- Allow at least 24 hours after installation before exposing area to vigorous washing, strong water spray or extreme weather.
- The adhesive bond will increase to maximum strength after about 72 hours at normal room temperature.

Kit Contents

See Figure 4 and Table 1.

PREPARATION

1. Remove main fuse. See the owner's manual.
2. Remove seat. See the owner's manual.

INSTALLATION

NOTE

Reflectors on some Canadian models are installed below the saddlebag lids. These reflectors must be removed. To remain in compliance, install reflectors directly below the Electra Glo LED saddlebag run/brake/turn lights.

LAMPS

1. Remove saddlebag reflectors if installed.
2. Clean the saddlebag in the area of installation with 50:50 mix of isopropyl alcohol and water. Allow to dry completely.

NOTE

Lamps are identified with an (L) for left or (R) for right, imprinted on the lens.

3. See Figure 4. Position the lamp approximately 3.2 mm ($\frac{1}{8}$ in) below the bottom edge of the saddlebag lid when closed.
4. Use a grease pencil to mark the location.
5. Remove the adhesive backing from the lamp assembly.
6. Install the lamp using the marks made earlier as a guide.
7. Apply firm even pressure. Do not use extreme pressure over the lens area.
8. If equipped, install saddlebag reflectors directly below the newly installed saddlebag run/brake/turn lights.
9. Remove the saddlebag. See the owner's manual.
10. See Figure 1. Route the wiring forward along the vehicle side of the saddlebag.
 - a. Clean attachment areas with a 50:50 mix of rubbing alcohol and water.
 - b. Secure wiring to saddlebag surface with two wire retainers (5) and cable straps (4).
11. Repeat for the remaining saddlebag lamp.

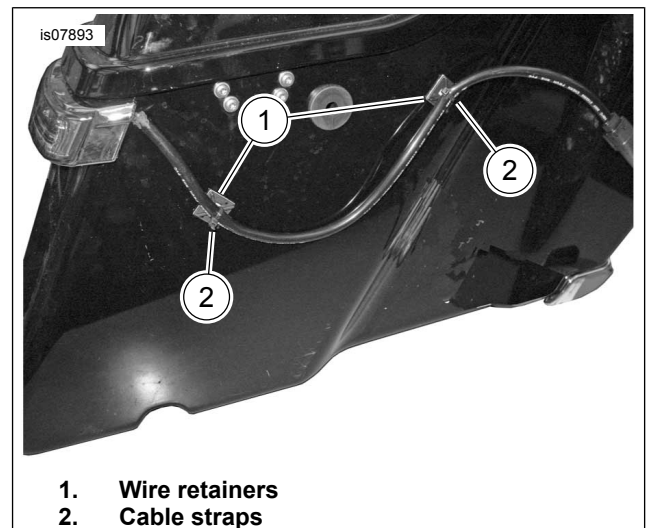


Figure 1. Saddlebag Harness Routing

MODULE / WIRING

1. See Figure 2. Install the module onto the battery hold-down bracket (3) with the harnesses (1) exiting up.
 - a. HFSSM antenna models: Separate the purge solenoid and HFSSM antenna from the top caddy.
 - b. Fit the slot in the rubber mount (2) over the tab of the battery hold-down bracket (3).

-J05841



Many Harley-Davidson® Parts & Accessories are made of plastics and metals which can be recycled. Please dispose of materials responsibly.

1 / 3

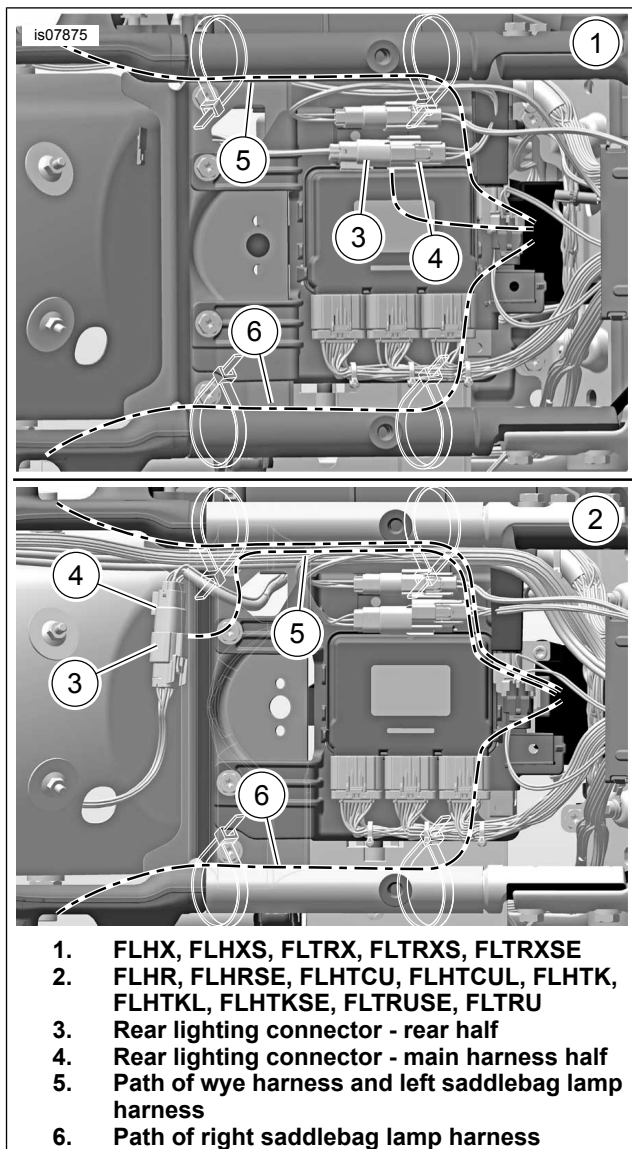
c. HFSM antenna models: Secure the HFSM antenna and purge solenoid to the top caddy.

2. See Figure 3. Route the rear lighting Y-harness and left saddlebag lamp harness (3-way socket connector) back along the left upper frame (5). Route the right saddlebag lamp harness (3-way pin connector) along the right upper frame (6).
3. Separate the rear lighting connector [7] (3, 4). Attach the 6-terminal connectors from the Y-harness to each separated connector half.
4. Secure **new** harnesses along the inside of the upper frame tubes with two cable straps per side. Cross to the outside of the frame rear of the upper shock absorber attachment point.
5. Install the saddlebags. See the owner's manual. Connect the saddlebag lamp connectors during installation.
6. Install seat. See the owner's manual.
7. Install the main fuse. See the owner's manual.

▲ WARNING

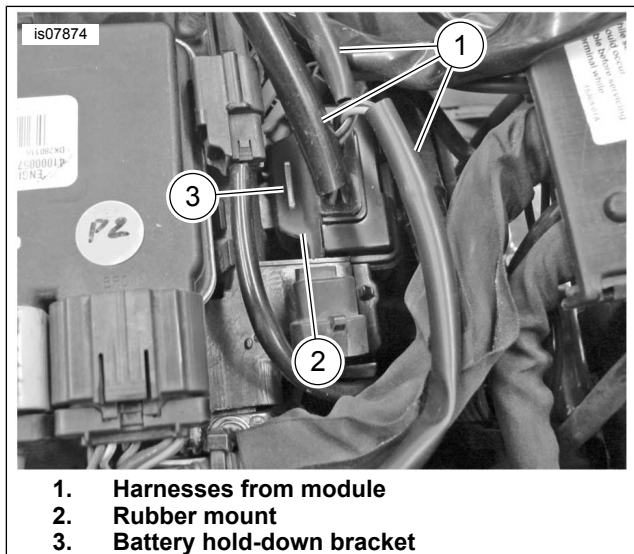
Be sure that all lights and switches operate properly before operating motorcycle. Low visibility of rider can result in death or serious injury. (00316a)

8. Turn ignition on. Test the rear stop, tail, turn and hazard lighting functions.



1. FLHX, FLHXS, FLTRX, FLTRXS, FLTRXSE
2. FLHR, FLHRSE, FLHTCU, FLHTCUL, FLHTK, FLHTKL, FLHTKSE, FLTRUSE, FLTRU
3. Rear lighting connector - rear half
4. Rear lighting connector - main harness half
5. Path of wye harness and left saddlebag lamp harness
6. Path of right saddlebag lamp harness

Figure 3. Mate Connectors



1. Harnesses from module
2. Rubber mount
3. Battery hold-down bracket

Figure 2. Install Module

SERVICE PARTS

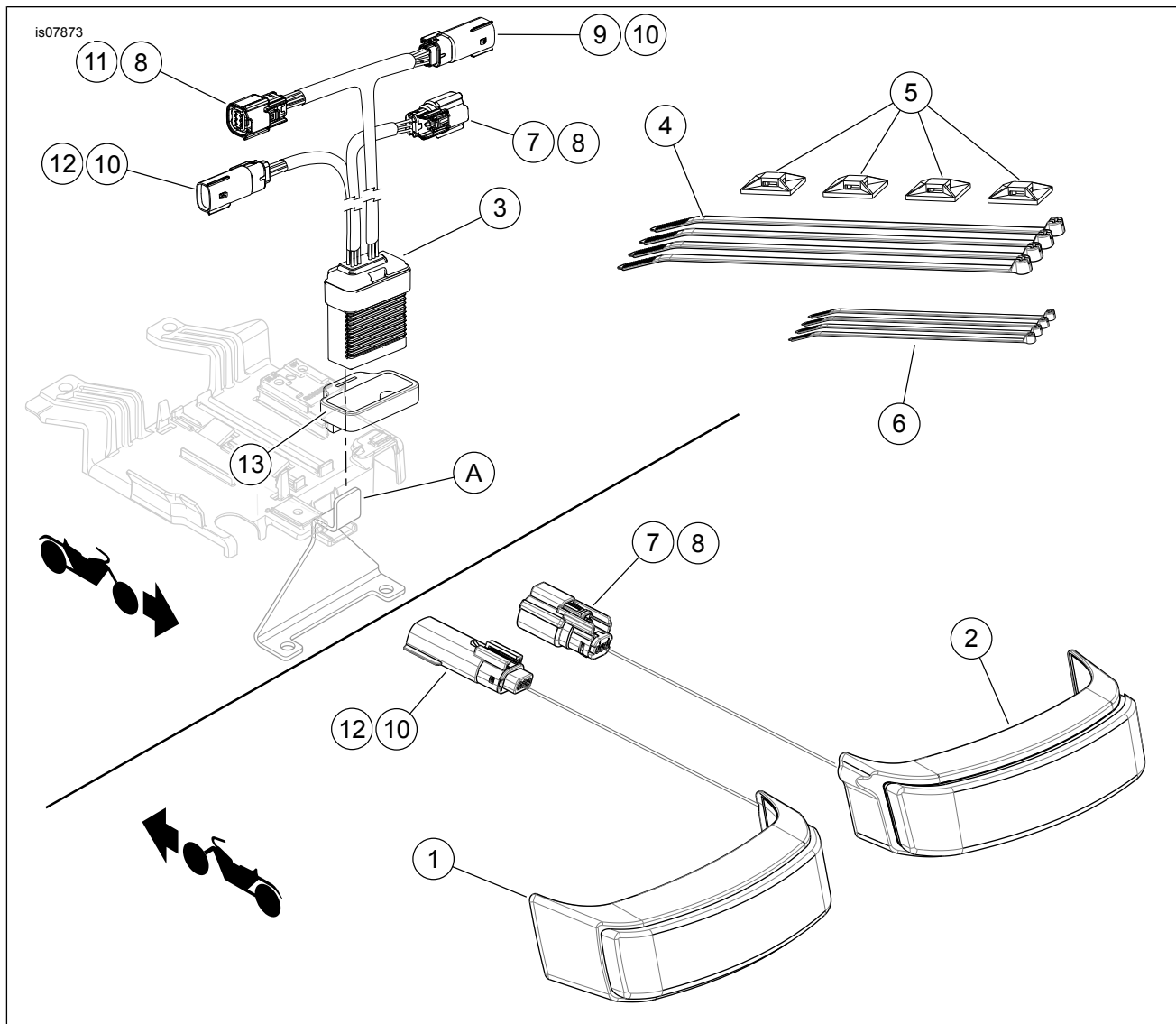


Figure 4. Kit Contents: Saddlebag Tail Lamp Kit

Table 1. Kit Contents

Item	Description (Quantity)	Part Number
1	Left tail lamp	Not sold separately
2	Right tail lamp	Not sold separately
3	Module and harness, FLHTCU, FLHTCUL, FLHTK, FLHTKL, FLTRU (includes items 7-13)	69200779A
	Module and harness, FLHX, FLHXS, FLTRX, FLTRXS (includes items 7-13)	69200948A
	Module and harness, FLHR, FLHTKSE, FLHRSE, FLTRUSE, FLHXSE; Canadian FLHX, FLHXS, FLTRX, FLTRXS (includes items 7-13)	69200949A
4	Cable straps, large (4)	10006
5	Wire retainer (4)	Not sold separately
6	Cable straps, small (4)	Not sold separately
7	Housing, 3-way socket, black	72512-07BK
8	Terminal, socket (9)	72168-07
9	Housing, 6-way pin, black	72188-07BK
10	Terminal, pin (9)	72169-07
11	Housing, 6-way socket, black	72414-07BK
12	Housing, 3-way pin, black	72511-07BK
13	Rubber mount (installed on item 3)	69200778
Items Mentioned in Text but not Included in Kit		
A	Battery hold-down bracket	