



# INSTRUCTIONS

-J06260

2015-05-21

## FRONT TURN SIGNAL RELOCATION KIT

### GENERAL

#### Kit Number

67800557

#### Models

For model fitment information, see the P&A retail catalog or the Parts and Accessories section of [www.harley-davidson.com](http://www.harley-davidson.com) (English only).

#### Installation Requirements

##### ⚠ WARNING

The rider's safety depends upon the correct installation of this kit. Use the appropriate service manual procedures. If the procedure is not within your capabilities or you do not have the correct tools, have a Harley-Davidson dealer perform the installation. Improper installation of this kit could result in death or serious injury. (00333a)

##### NOTE

This instruction sheet refers to service manual information. A service manual for this year/model motorcycle is required for this installation. One is available from a Harley-Davidson dealer.

#### Kit Contents

See Figure 3 and Table 1.

#### PREPARATION

##### ⚠ WARNING

To prevent spray of fuel, purge system of high-pressure fuel before supply line is disconnected. Gasoline is extremely flammable and highly explosive, which could result in death or serious injury. (00275a)

Purge and disconnect fuel supply line.

##### ⚠ WARNING

To prevent accidental vehicle start-up, which could cause death or serious injury, remove main fuse before proceeding. (00251b)

##### NOTE

- **WITH security siren:** With security fob present, turn ignition switch ON. See the service manual. Disarm security system. Turn ignition switch OFF. **IMMEDIATELY** remove the main fuse.
- **WITHOUT security siren:** See the service manual. Remove main fuse.

##### ⚠ WARNING

When servicing the fuel system, do not smoke or allow open flame or sparks in the vicinity. Gasoline is extremely flammable and highly explosive, which could result in death or serious injury. (00330a)

#### REMOVAL

##### NOTE

When moving fuel tank back, do not damage fuel gauge wires clipped to frame under left side of tank.

1. Remove seat. Retain all seat mounting hardware.
2. Remove the front and rear fuel tank mounting hardware per the service manual. Move the fuel tank back on the frame to gain access to the wire harness caddy.

##### NOTE

Electrical connectors are identified in the service manual by the numbers and letters shown here **within brackets**.

3. See Figure 1. Remove TORX screw (3). Separate left caddy section (2) from right section (4) and vehicle frame (1).

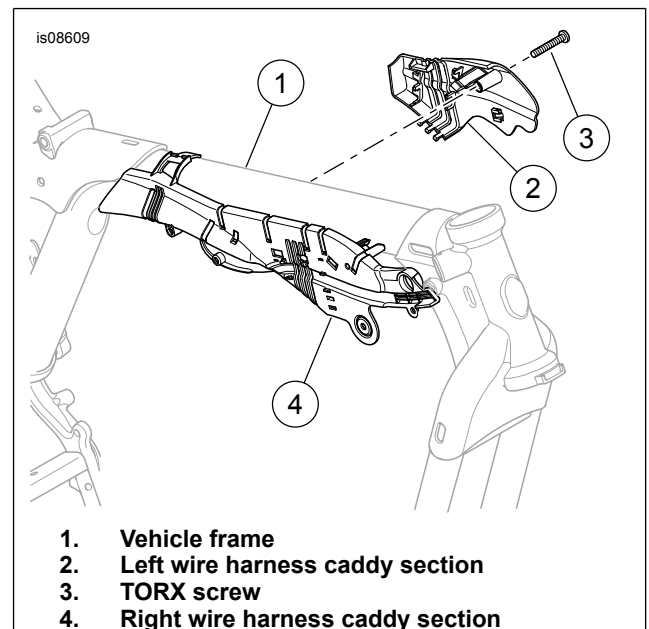


Figure 1. Access Main Harness

4. Pull wire harness away from inside the caddy enough to disconnect the black 6-way Multilock turn signal connector [31]. Set aside frame-side connector half [31A].

5. See the service manual. Remove the socket terminals from the lamp-side connector half [31B]. Record the wire colors installed in the cavities of the connector, which **should** be:
  - Black [BK] right turn signal wire in cavity 1
  - Brown [BN] right turn signal wire in cavity 2
  - Blue [BE] right turn signal wire in cavity 3
  - Blue [BE] left turn signal wire in cavity 4
  - Violet [V] left turn signal wire in cavity 5
  - Black [BK] left turn signal wire in cavity 6
6. Remove the grommet from the end of the turn signal wire vinyl conduit still connected to the switch housing.
7. Make about a 25 mm (1.0 in) long slit in the end of the conduit. Cut back one wire about 12 mm (0.5 in) from the end of the conduit. Cut back the second wire about 6 mm (0.2 in) from the end of the conduit.
8. See Figure 3. Slip the 51 mm (2.0 in) long section of encapsulating (dual wall) shrink tube (8) over the conduit and wires, next to the turn signal housing.

### ⚠ WARNING

**Be sure to follow manufacturer's instructions when using the UltraTorch UT-100 or any other radiant heating device. Failure to follow manufacturer's instructions can cause a fire, which could result in death or serious injury. (00335a)**

- Avoid directing heat toward any fuel system component. Extreme heat can cause fuel ignition/explosion resulting in death or serious injury.
  - Avoid directing heat toward any electrical system component other than the tubing on which heat shrink work is being performed.
  - Always keep hands away from tool tip area and heat shrink attachment.
9. Use a heat gun or suitable radiant-heating device to shrink the tubing to the wires and conduit.
  10. Assemble the switches and switch housings to the handlebar per service manual instructions, tucking the shrink-sealed wire ends back inside the switch housings.
  11. Repeat on the opposite side of the vehicle.

## INSTALLATION

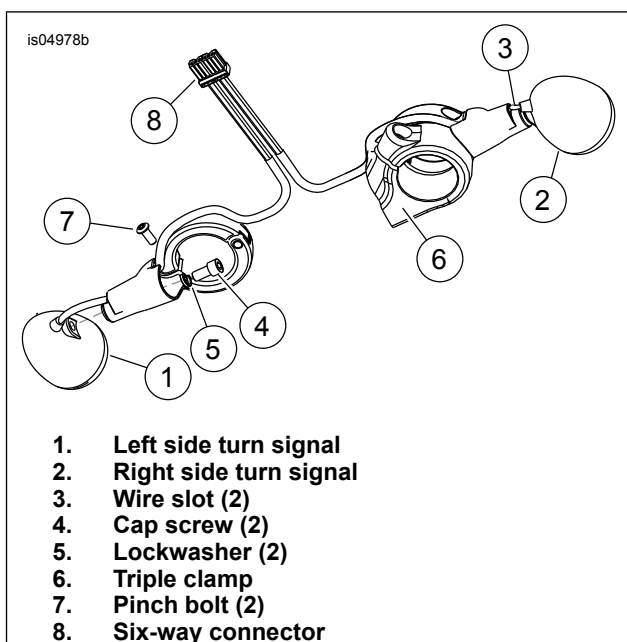
### NOTE

See Figure 2. The harness exiting the turn signal lamp has a flat cross-section, similar to the slot (3) near the lamp end of the stalk.

For best appearance:

- Align the harness along its full length. Determine the flat side that lies against the stalk with the lamp attached.
- Insert the harness into the slot in **that** orientation to avoid a half-twist in the wire harness at the lamp.

1. See Figure 2. Carefully feed the length of wire from the turn signal lamp into the stalk through the wire slot (3).



**Figure 2. Installation of Mounting Bracket and Wire Harness (View From Underside)**

2. Install the screw (4) and lockwasher (5) into the stalk and through the hole. Position the turn signal lamp against the end of the stalk. Thread the screw into the lamp housing, but do not fully tighten.
3. Place the mounting bracket in position on the lower fork **above** the triple clamp (6). Align the lamp to face forward and parallel to the ground. While holding the alignment, remove the assembly. Tighten the lamp mounting screw (4) to 8–9 N·m (70–80 **in-lbs**).
4. Install the mounting bracket assembly to the lower fork with a pinch bolt (7), making sure that:
  - a. The lamp is facing forward and parallel to the ground.
  - b. The exiting wire centers in the wire notch (3) at the stalk base.
  - c. The stalk does not pinch the wire against the fork bracket.
5. Tighten the pinch bolt (7) to 8–9 N·m (70–80 **in-lbs**).

### NOTE

Make sure that wires do not pull tight when handlebars are turned fully to left or right fork stops.

6. Repeat steps 1-5 for the opposite side.
7. See Figure 2. Install the socket terminals from the turn signal harnesses into the lamp-side black 6-way Multilock connector half [31B] per the service manual. Unless noted differently on removal,

- Black [BK] right turn signal wire in cavity 1
- Brown [BN] right turn signal wire in cavity 2
- Blue [BE] right turn signal wire in cavity 3
- Blue [BE] left turn signal wire in cavity 4
- Violet [V] left turn signal wire in cavity 5

- Black [BK] left turn signal wire in cavity 6
8. See Figure 1. Feed the assembled connector [31B], from the outside, into the wire caddy (4) in the right side of the frame behind the steering head.
  9. Plug the connector half into the mating connector half coming from the frame.
  10. Temporarily install the main fuse per the service manual.
  11. Test the turn signals to verify that they function correctly.

**▲ WARNING**

To prevent accidental vehicle start-up, which could cause death or serious injury, remove main fuse before proceeding. (00251b)

12. Remove main fuse.

**▲ WARNING**

Be sure that steering is smooth and free without interference. Interference with steering could result in loss of vehicle control and death or serious injury. (00371a)

- Make sure wires do not pull tight when handlebars are turned fully to left or right fork stops.

13. Use cable straps as necessary to secure the harnesses so they do not interfere with steering function, or become entangled or pinched. Secure any excess harness length with a cable strap. Stow inside the steering head.

14. Push the wire harness up inside the frame, behind the steering head. Position the harness shield (1) to the underside of the top bar with the tabs (2) inside. Push upward until the tabs engage the holes (3) on each side of the frame.

**▲ WARNING**

When servicing the fuel system, do not smoke or allow open flame or sparks in the vicinity. Gasoline is extremely flammable and highly explosive, which could result in death or serious injury. (00330a)

15. Install fuel tank. Connect the fuel line per the service manual.

16. Install main fuse.

**▲ WARNING**

After installing seat, pull upward on seat to be sure it is locked in position. While riding, a loose seat can shift causing loss of control, which could result in death or serious injury. (00070b)

17. See the service manual. Install seat.

## SERVICE PARTS

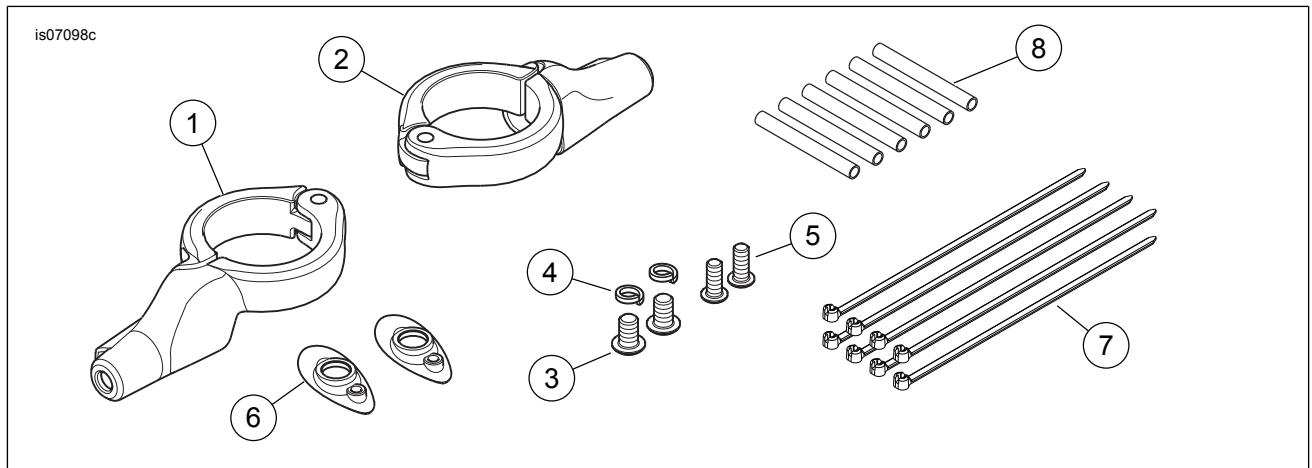


Figure 3. Service Parts: Front Turn Signal Relocation Kit

Table 1. Service Parts

Item	Description (Quantity)	Part Number
1	Bracket assembly, front turn signal relocation (right, black)	Not sold separately
2	Bracket assembly, front turn signal relocation (left, black)	Not sold separately
3	Socket head cap screw, 5-16-18 x 13 mm (½ in) long, with lock patch (2)	3340
4	Lock washer, split, 5/16 in (2)	7042
5	Screw, hex socket button head, 1/4-20 x 16 mm (⅝ in) long (2)	926
6	Recess cover, turn signal, black (2)	68749-09
7	Cable strap (8)	10065
8	Shrink tube (6)	67113-83