



INSTRUCTIONS

-J05839

2014-10-01

LED FRONT TURN SIGNAL LAMP KIT

GENERAL

Kit Number

67800477, 67800478, 67800479, 67800480

Models

For model fitment information, see the P&A retail catalog or the Parts and Accessories section of www.harley-davidson.com (English only).

Installation Requirements

Loctite® 271 Threadlocker (Part No. 99642-97) and Sealant - Blue (Part No. 99671-97) to secure the screws.

⚠ WARNING

The rider's safety depends upon the correct installation of this kit. Use the appropriate service manual procedures. If the procedure is not within your capabilities or you do not have the correct tools, have a Harley-Davidson dealer perform the installation. Improper installation of this kit could result in death or serious injury. (00333a)

NOTE

This instruction sheet refers to service manual information. A service manual for this year/model motorcycle is required for this installation. One is available from a Harley-Davidson dealer.

Kit Contents

See Figure 5 and Table 1.

INSTALLATION

⚠ WARNING

To prevent accidental vehicle start-up, which could cause death or serious injury, remove main fuse before proceeding. (00251b)

1. Remove main fuse. See the service manual.

Bullet Style, Fairing-mounted

1. Remove the front turn signals. See the service manual. Retain brackets, gaskets, mounting plate, retainers and mounting hardware.

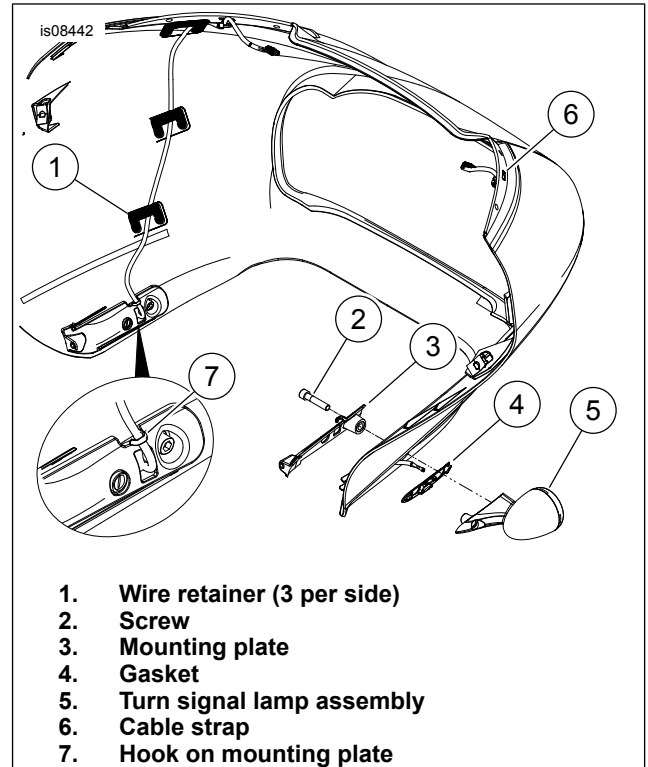


Figure 1. Fairing Mounted Front Turn Signal Lamp

2. See Figure 5. Install connectors (4). See service manual. Before pinning the supplied connectors match it with the existing connectors.
3. Install the wire harness (7).
4. Install **new** turn signals. See the service manual.
5. Apply Loctite 243 (blue) to the screws. Install the screws.
6. Tighten screws to 3.4–5.6 N·m (30–50 in-lbs).
7. Secure wires as needed with cable straps (3).
8. Install fuse. See the service manual.

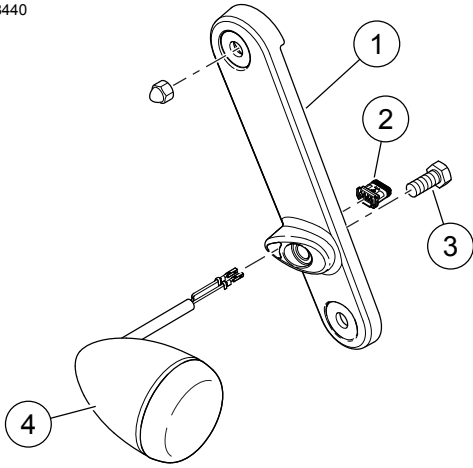
⚠ WARNING

Be sure that all lights and switches operate properly before operating motorcycle. Low visibility of rider can result in death or serious injury. (00316a)

Bullet Style, Fork-mounted (without auxiliary/fog lamps)

1. Remove the existing front turn signals, brackets and components as necessary. See the service manual. Retain brackets and mounting hardware.

is08440



- 1. Bracket
- 2. Connector
- 3. Screw
- 4. Turn signal lamp assembly

Figure 2. Fork Mounted Front Turn Signal Lamp

2. See Figure 5. Install connectors (4). See service manual. Before pinning the supplied connectors match it with the existing connectors.
3. Install the **new** turn signal lamps onto the mounting brackets. See the service manual.
4. Apply Loctite 243 (blue) to the screws (2). Install the screws.
5. Tighten screws to 20.3–27.1 N·m (15–20 ft-lbs).
6. Install the turn signal mounting brackets. See the service manual.
7. Install fuse. See the service manual.

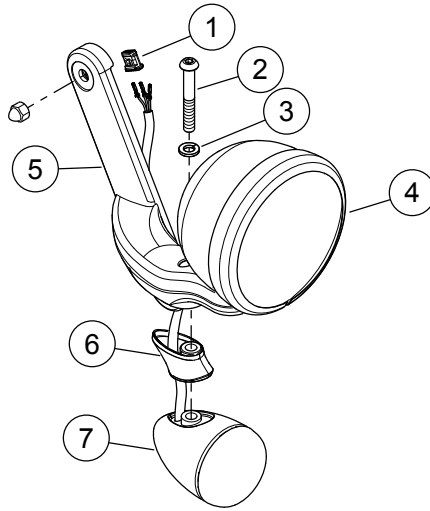
⚠ WARNING

Be sure that all lights and switches operate properly before operating motorcycle. Low visibility of rider can result in death or serious injury. (00316a)

Bullet Style, Fork-mounted (with auxiliary/fog lamps)

1. Remove the existing front turn signals. See the service manual. Retain brackets, standoffs and mounting hardware.

is08441



- 1. Connector
- 2. Screw
- 3. Washer
- 4. Auxiliary/fog lamp assembly
- 5. Bracket
- 6. Standoff
- 7. Turn signal lamp assembly

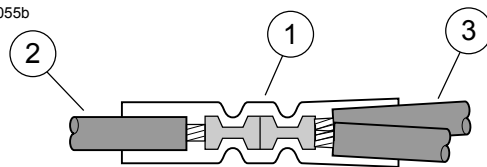
Figure 3. Fork Mounted Front Turn Signal Lamp

2. See Figure 5. Insert the terminals on the ends of the wires into the cavities of a four-way socket housing (4) from the kit:

- Blue turn signal wire to Cavity 1
- Violet or Brown turn signal wire to Cavity 2
- Black turn signal wire to Cavity 3
- Gray/black auxiliary lamp wire to Cavity 4

3. **Black turn signal housings:** Install the socket housing (4). Cut the black ground lead about 32 mm (1.25 in) from the socket housing. See Figure 4. Install a sealed splice connector (1) to splice the black lead coming from the four-way socket housing. On the other end, install **both** black leads coming from the black turn signal and auxiliary lamp housings.

is02055b



- 1. Sealed splice connector
- 2. One wire
- 3. Two wires

Figure 4. Splice Configuration (One Into Two)

4. **Black turn signal housings:** Repeat steps 2 and 3 for the remaining lamp assembly.
5. **Chrome turn signal housings:** Repeat step 2 for the remaining lamp assembly.
6. Install the terminals into the connector housings (4). See the service manual.

7. See Figure 5. Install connectors (4). See service manual. Before pinning the supplied connectors match it with the existing connectors.
8. Install the seal plugs (6) in the unused slot of the connector housings. See the service manual.
9. Install the **new** turn signal lamps onto the mounting brackets. See the service manual.
10. Apply Loctite 243 (blue) to the screws removed earlier. Install the screws.
11. Tighten screws to 3.4–5.6 N·m (30–50 in-lbs).
12. Install the turn signal mounting brackets. See the service manual.

13. Install fuse. See the service manual.

⚠ WARNING

Be sure that all lights and switches operate properly before operating motorcycle. Low visibility of rider can result in death or serious injury. (00316a)

BCM Program Process

The BCM can self-learn if LED turn signals are installed when the Hazards are active after the LED installation. The BCM ignores the first 8 cycles of the hazards. The BCM learns during the next 8 hazards. 16 cycles of the Hazards and the setting are updated in the BCM.

SERVICE PARTS

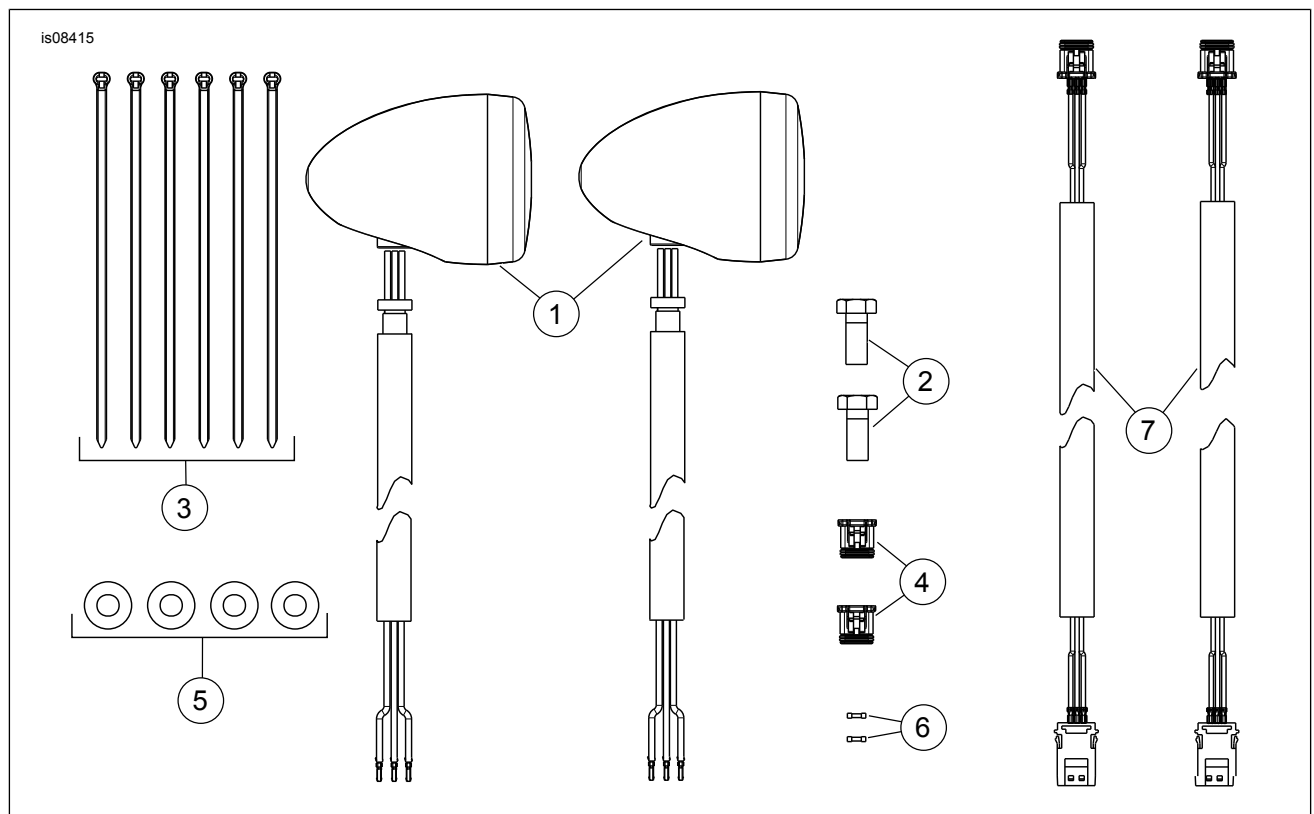


Figure 5. Service Parts, LED, Turn Signal Kit

Table 1. Service Parts Table

| Item | Description (Quantity) | Part Number |
|------|--|-------------|
| 1 | LED turn signal lamp assembly, chrome, smoked lens (2) | 67800501 |
| | LED turn signal lamp assembly, chrome, amber lens (2) | 67800500 |
| | LED turn signal lamp assembly, black, smoked lens (2) | 67800503 |
| | LED turn signal lamp assembly, black, amber lens (2) | 67800502 |
| 2 | Screw (2) | 3987 |
| 3 | Cable strap (6) | 10065 |
| 4 | Connector housing (2) | 72908-11 |
| 5 | Washer (4) | 6302 |
| 6 | Seal plug (2) | 5118 |
| 7 | Wire harness (2) | 69201172 |