



INSTRUCTIONS

-J05985

2014-05-28

FLRT LED TAIL LAMPS

GENERAL

Kit Number

67800459, 67800457

Models

For model fitment information, see the P&A Retail Catalog or the Parts and Accessories section of www.harley-davidson.com (English only).

Installation Requirements

Separate purchase and installation of parts or accessories may be required for proper installation of this kit on your model motorcycle.

▲ WARNING

The rider's safety depends upon the correct installation of this kit. Use the appropriate service manual procedures. If the procedure is not within your capabilities or you do not have the correct tools, have a Harley-Davidson dealer perform the installation. Improper installation of this kit could result in death or serious injury. (00333a)

NOTE

This instruction sheet refers to service manual information. A service manual for this year/model motorcycle is required for this installation. One is available from a Harley-Davidson dealer.

Kit Contents

See Figure 3 and Table 1.

INSTALLATION

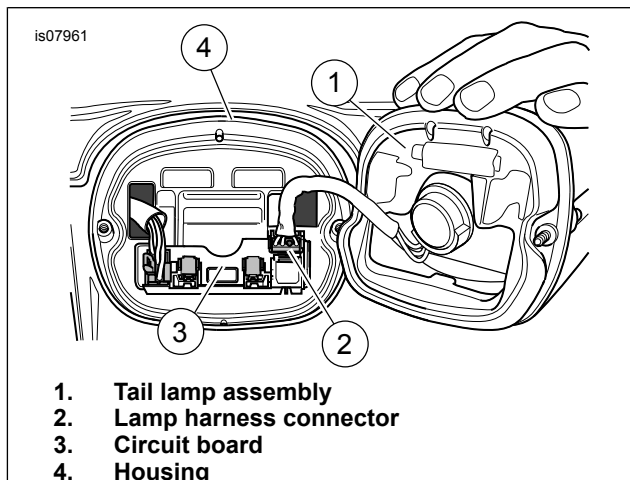


Figure 1. LED Lamp Assembly Removal and Installation

1. Remove two screws to release tail lamp assembly (1) from housing (4).

2. See Figure 1. Remove the tail lamp connector (2) and tail lamp assembly from the circuit board (3).

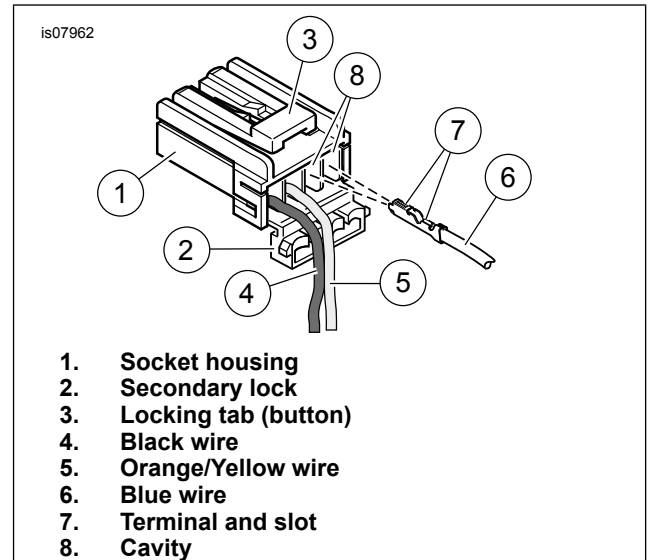


Figure 2. Socket Terminal Installation

3. On the **new** LED lamp assembly, the Blue wire (6) and socket terminal are not installed in the socket housing (1). Refer to the original lamp removed in Step 2, and observe which cavity contains the Blue wire. The Blue wire and terminal must be installed into the **same** cavity in the socket housing of the new lamp:
 - a. Open the secondary lock (2) outwardly (as shown).
 - b. See Figure 2. On the secondary lock side of the socket housing (1), position the terminal and slot (7) with the slot facing up (in the same direction as the locking tab button (3) on the top of the socket housing).
 - c. Insert the terminal into the correct cavity (8) until it snaps into place with an audible "click".
 - d. Gently tug on wire ends to verify that all terminals are locked.

NOTE

If the terminal must be removed and reinstalled, refer to the **MULTILOCK ELECTRICAL CONNECTORS** section of the appropriate Service Manual.

- e. Rotate the hinged secondary lock inward until tabs fully engage latches on both sides of connector.
4. Apply dielectric grease to the LED tail lamp connector. Install the connector to the circuit board.

-J05985



Many Harley-Davidson® Parts & Accessories are made of plastics and metals which can be recycled. Please dispose of materials responsibly.

1 / 2

5. Install the LED tail lamp assembly to the base using the two screws. Tighten to 2.3–2.7 N·m (20–24 in-lbs).

6. Repeat these steps 1 through 5 for the opposite tail lamp.

▲ WARNING

Be sure that all lights and switches operate properly before operating motorcycle. Low visibility of rider can result in death or serious injury. (00316a)

BCM Program Process

The BCM can self-learn if LED turn signals are installed when the Hazards are active after the LED installation. The BCM ignores the first 8 cycles of the Hazards and then learns during the next 8 Hazards. So 16 cycles of the Hazards and the setting is updated in the BCM.

SERVICE PARTS

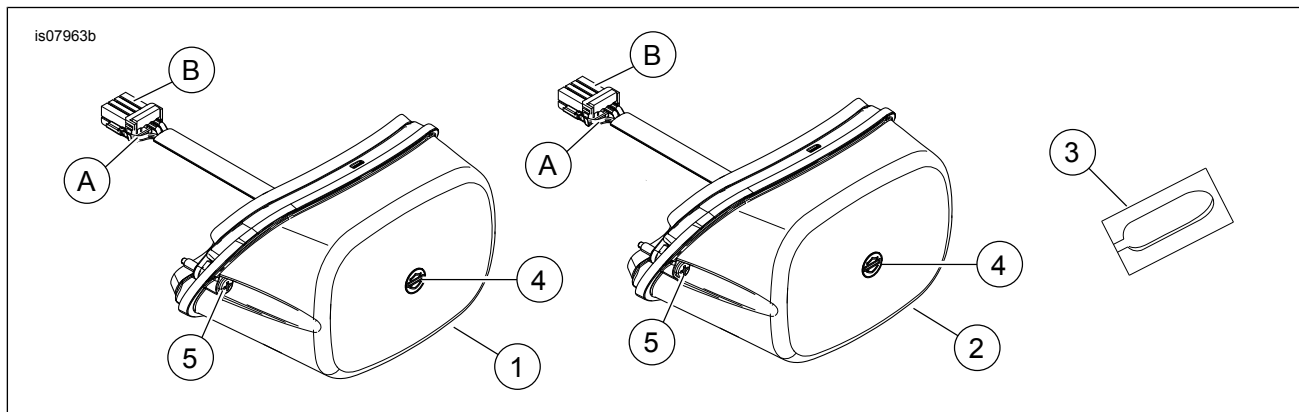


Figure 3. Service Parts: LED Run, Brake, Turn-Signal Tail Lamps

Table 1. Service Parts Table

Item	Description (Quantity)	Part Number
1	R/B/T Tail lamp assembly, clear over smoke lens - chrome, license light (left side)	67800488
	R/B/T Tail lamp assembly, clear over red lens - chrome, license light (left side)	67800487
2	R/B/T Tail lamp assembly, clear over smoke lens - chrome (right side)	67800137
	R/B/T Tail lamp assembly, clear over red lens - chrome (right side)	67800138
3	Dielectric grease	Not sold separately
4	Logo, Bar and Shield (1 per lamp)	Not sold separately
5	Screw, #8-32 x 1 in. (2 per lamp)	68026-99
Items mentioned in text, but not included in kit:		
A	Blue wire	
B	Socket housing	