



# INSTRUCTIONS

-J03753

2011-12-01

## CUSTOM TOURING FRONT BULLET TURN SIGNAL KIT

### GENERAL

#### Kit Number

69492-05, 69493-05, 67800167

#### Models

This kit fits 1996-later FLHT, FLHTC, and 2005-later FLHTCU models. This kit will not fit vehicles equipped with non-vented fairing lowers. Installation of this kit requires removal of the original equipment passing lamps, turn signals, and mounting bracket.

#### ⚠ WARNING

The rider's safety depends upon the correct installation of this kit. Use the appropriate service manual procedures. If the procedure is not within your capabilities or you do not have the correct tools, have a Harley-Davidson dealer perform the installation. Improper installation of this kit could result in death or serious injury. (00333a)

#### NOTE

This instruction sheet references Service Manual information. A Service Manual for your model motorcycle is required for this installation and is available from a Harley-Davidson dealer.

#### Additional Parts Required

Loctite® 243 (blue) (99642-97) is available from a Harley-Davidson dealer

#### Kit Contents

See Figure 4 and Table 1.

### INSTALLATION

#### Outer Fairing/Windshield and Auxiliary Lamp Bracket Removal

#### ⚠ WARNING

To prevent accidental vehicle start-up, which could cause death or serious injury, remove main fuse before proceeding. (00251b)

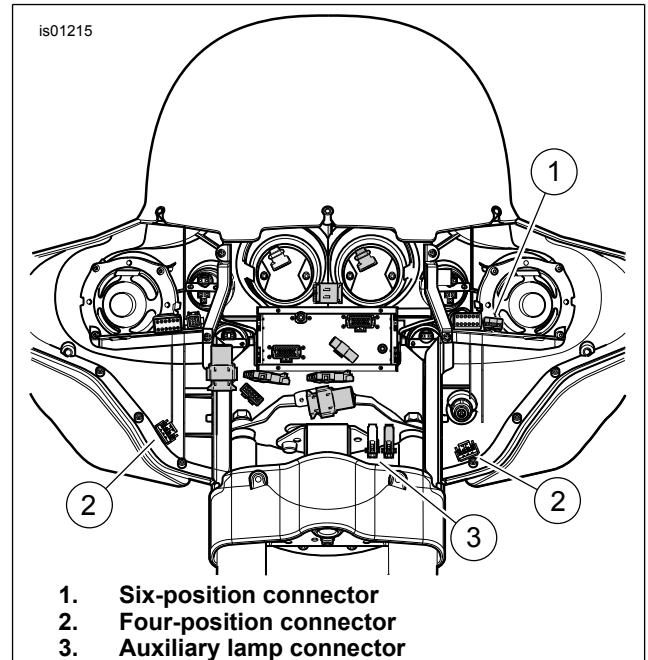


Figure 1. Disconnect Signal and Auxiliary Lamp

1. Remove Maxi-Fuse. Refer to SYSTEM FUSES, MAXI-FUSE in Service Manual.

#### NOTE

Since the outer fairing screws hold the windshield in place, the windshield may fall to the floor if not removed.

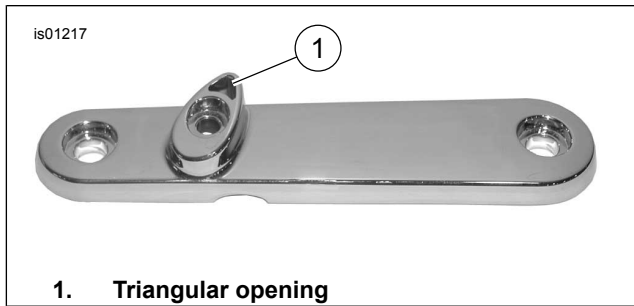
2. Remove the windshield and outer fairing. Refer to UPPER FAIRING/WINDSHIELD in Service Manual for the outer fairing/windshield removal procedure.
3. Disconnect auxiliary lamp and turn signal connectors.

#### NOTE

See Figure 1. On 2005 and prior year models, the left and right turn signals plug into a 6-place connector located on the left fairing support brace. On 2006 and later models, each turn signal plugs into its own 4-place connector located toward the bottom of the inner fairing on each side.

4. Using a T40 Torx® drive head, remove and save the four bolts securing the auxiliary head lamp bracket to the chassis.
5. Remove auxiliary lamp bracket from motorcycle.

## Turn Signal Assembly

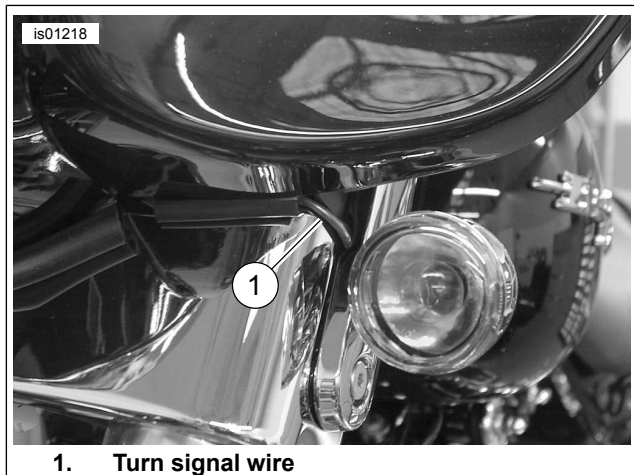


1. Triangular opening

**Figure 2. Insertion of Terminals Through Triangular Opening**

1. See Figure 2. Insert wire terminals through the triangular opening in the turn signal mounting bracket included in the kit.
2. Fit turn signal housing onto bracket.
3. Apply a small amount of Loctite (243) blue (99642-97) to threads of hex head cap screw.
4. Tighten cap screw to 20–27 N·m (15–20 ft-lbs).

## Turn Signal Installation



1. Turn signal wire

**Figure 3. Turn Signal Wire Routing**

1. See Figure 3. Insert turn signal connector and wiring between bottom of fairing and top of outer fairing skirt.

### NOTE

*Care must be taken so the turn signal wire is not pinched between turn signal bracket and motorcycle chassis.*

2. Route turn signal wire under cutout on mounting bracket and place bracket onto motorcycle.
3. Install washers onto turn signal bracket mounting bolts and apply Loctite 243 (blue) (99642-97) to the bolt threads.
4. Tighten mounting bolts to 20–27 N·m (15–20 ft-lbs).

### NOTE

*2005 and prior year models will use the 6-place connector included in the kit. 2006 and later models will use the 4-place connector included in the kit.*

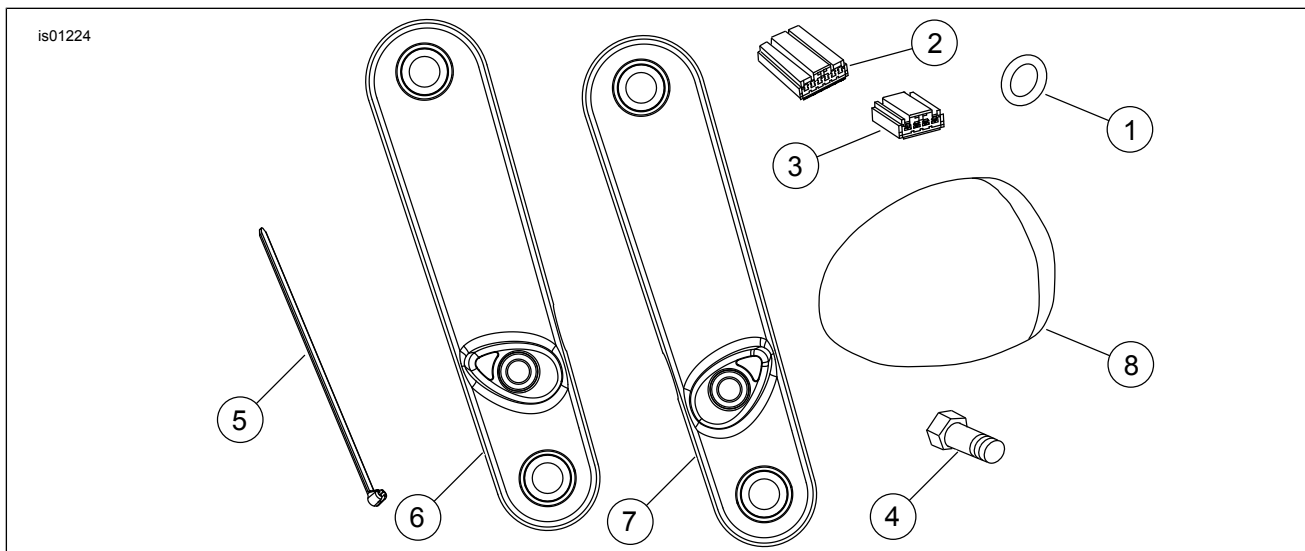
*Avoid damage to the electrical system. Be sure terminals from turn signals plug into proper terminals on the interconnect harness.*

5. Route turn signal leads toward harness connector. Secure loose wiring with tie straps so wires do not rub against any sharp objects.
6. Choose the proper connector for your application and insert the terminal ends from turn signal into connector. (black=ground, blue=run, purple=turn signal)
7. Install outer fairing and windshield. Refer to UPPER FAIRING/WINDSHIELD in Service Manual for the outer fairing/windshield installation procedure.
8. Reconnect Maxi-Fuse. Refer to SYSTEM FUSES, MAXI-FUSE in Service Manual.

### ⚠ WARNING

**Be sure that all lights and switches operate properly before operating motorcycle. Low visibility of rider can result in death or serious injury. (00316a)**

## SERVICE PARTS



**Figure 4. Service Parts: Custom Touring Front Bullet Turn Signal**

**Table 1. Service Parts Table**

<b>Item</b>	<b>Description (Quantity)</b>	<b>Part Number</b>
1	Washer (4)	34075-89
2	Housing, socket, 6 place	73156-96BK
3	Housing, socket, 4 place (2)	73154-96BK
4	Screw, hex cap, 5/16 x 18 x 0.75 (2)	3987
5	Strap, cable	10065
6	Bracket, mounting, RH turn signal	69279-06
	Bracket, mounting, RH turn signal (black) (2)	67800174
7	Bracket, mounting, LH turn signal	69278-06
	Bracket, mounting, LH turn signal (black) (2)	67800173
8	Assembly, turn signal, front, HDI (2)	69293-06
	Assembly, turn signal, front, domestic (2)	69292-06
	Assembly, turn signal, front, domestic (black) (2)	67700121