



# INSTRUCTIONS

-J06135

2014-09-01

## DAYMAKER LED HEADLAMP KIT

### GENERAL

#### Kit Number

67700260, 67700261

#### Models

For model fitment information, see the P&A Retail Catalog or the Parts and Accessories section of [www.harley-davidson.com](http://www.harley-davidson.com) (English only).

#### Installation Requirements

##### ⚠ WARNING

The rider's safety depends upon the correct installation of this kit. Use the appropriate service manual procedures. If the procedure is not within your capabilities or you do not have the correct tools, have a Harley-Davidson dealer perform the installation. Improper installation of this kit could result in death or serious injury. (00333a)

Separate purchase and installation of extra parts or accessories may be required for proper installation of this kit.

##### NOTE

*This instruction sheet refers to service manual information. A service manual for this year/model motorcycle is required for this installation. One is available from a Harley-Davidson dealer.*

#### Kit Contents

See Figure 6 and Table 1.

#### REMOVAL

##### ⚠ WARNING

To prevent accidental vehicle start-up, which could cause death or serious injury, remove main fuse before proceeding. (00251b)

1. Remove main fuse. See the service manual.
2. See Figure 1. Remove screws (1). Save the screws.

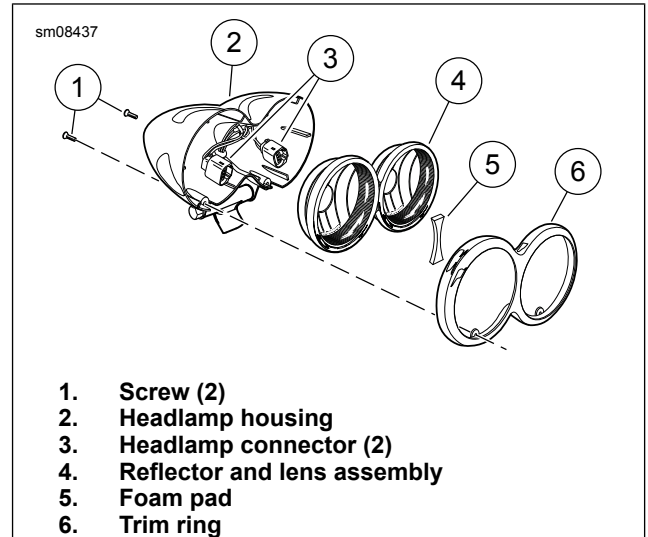


Figure 1. Dual Headlamp

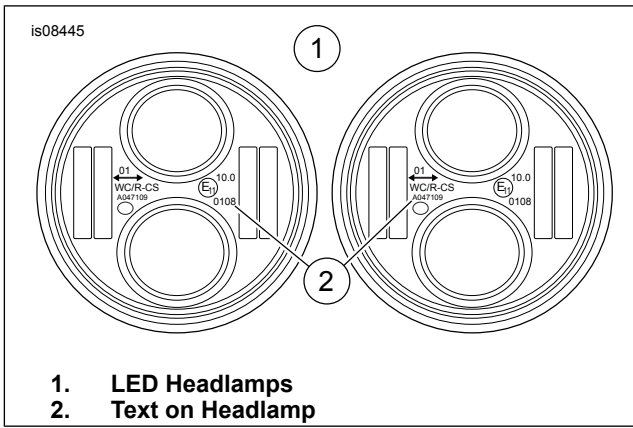
3. Remove trim ring (6).
4. Disconnect connector (3) and reflector and lens assembly.
5. Remove foam pad (5) if it is stuck to the reflector and lens assembly.

#### INSTALLATION

##### ⚠ WARNING

Connect positive (+) battery cable first. If positive (+) cable should contact ground with negative (-) cable connected, the resulting sparks can cause a battery explosion, which could result in death or serious injury. (00068a)

1. Install the foam pad to the trim ring if necessary.
2. Connect the harness to headlamps.
3. See Figure 2. Install the Daymaker lamps into the housing. Verify the text (2) is horizontal.

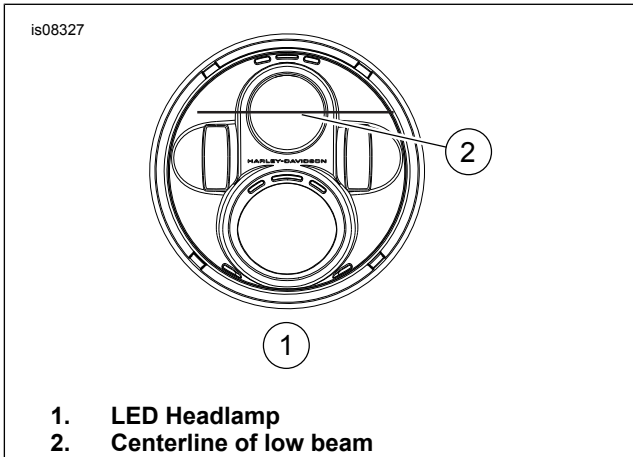


1. LED Headlamps
2. Text on Headlamp

Figure 2. LED Headlamp Text Orientation

4. Install trim ring. Secure with screws removed earlier. Verify that the trim is secure the top and bottom of the headlamp housing.
5. Install main fuse. See the service manual.

### Headlamp Alignment Procedure



1. LED Headlamp
2. Centerline of low beam

Figure 3. LED Headlamp Configuration

#### NOTE

The alignment procedure for an LED headlamp is performed on both the **low beam** and the **high beam**. Read these instructions thoroughly to align the LED headlamp.

1. Check tire pressure. See the owner's manual.
2. Adjust rear shock for the rider and intended load.
3. Fill fuel tank or add an equal amount of ballast.
4. See Figure 3. Position motorcycle so front axle is 7.6 m (25 ft) (3) from wall.

#### NOTE

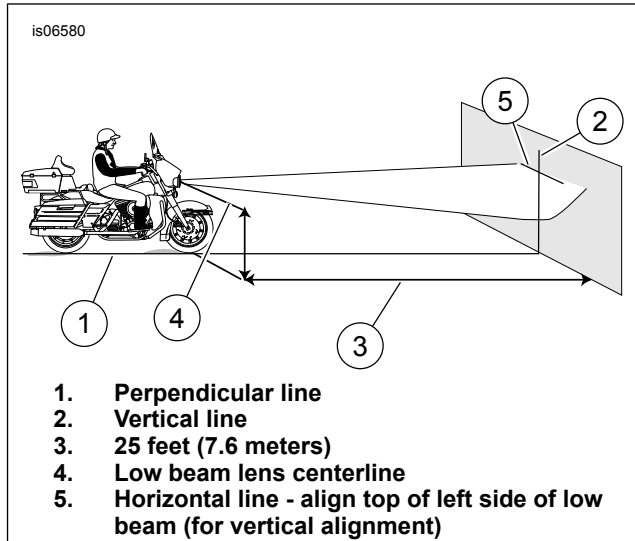
As the weight of the rider compresses the suspension slightly. Use a person weighing roughly the same as the principal rider.

5. See Figure 3. With vehicle laden and upright, point the front wheel straight forward at wall. Measure the distance from the floor to the center of the **low beam** lens (2). Record this measurement.
6. See Figure 4. Draw a horizontal line on the wall at (5) that is the same measurement as recorded in Step 5.
7. Draw a vertical line (2) off the perpendicular line (1) so it crosses through the horizontal line drawn in the previous step.

#### NOTE

LED headlamps create a beam that is nearly flat on the top.

8. Verify that all lights are OFF during the alignment procedure.

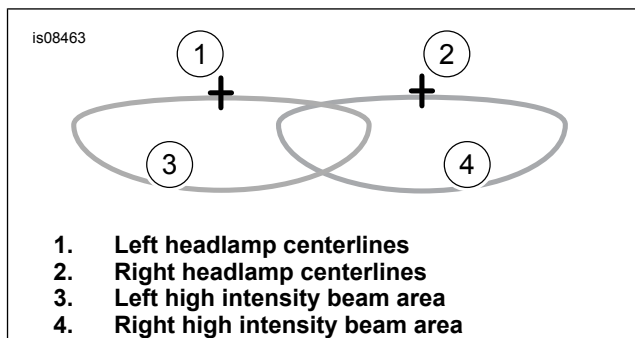


1. Perpendicular line
2. Vertical line
3. 25 feet (7.6 meters)
4. Low beam lens centerline
5. Horizontal line - align top of left side of low beam (for vertical alignment)

Figure 4. Checking Headlamp Alignment

### Alignment of LED Headlamp

1. Verify that the headlamp lens is perpendicular to the front forks for proper left-to-right alignment.
2. See Figure 5. With vehicle laden and upright, point the front wheel straight forward at wall.
3. Loosen horizontal adjusting bolt. See operator's manual. Adjust headlamp beam side to side. Tighten bolt to 33.9–40.7 N·m (25–30 ft-lbs).
4. Loosen vertical adjusting bolt. See operator's manual. Adjust headlamp beam up or down. Tighten bolt to 33.9–40.7 N·m (25–30 ft-lbs).



1. Left headlamp centerlines
2. Right headlamp centerlines
3. Left high intensity beam area
4. Right high intensity beam area

Figure 5. Alignment of Twin LED Headlamp

## SERVICE PARTS

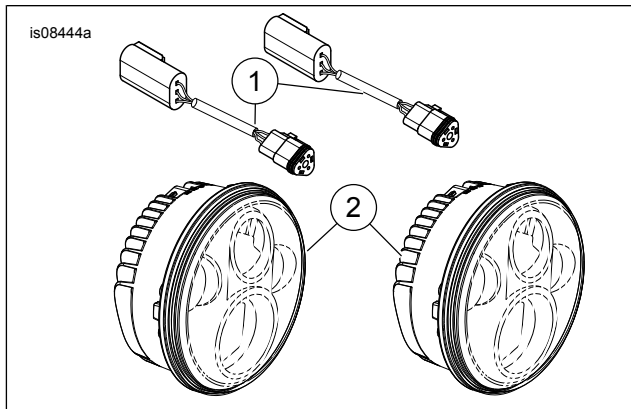


Figure 6. Service Parts: Daymaker LED Headlamp Kit

Table 1. Service Parts: LED Headlamp Kit

Item	Description (Quantity)	Part Number
<b>Kit Number 67700260</b>		
1	Wire harness, LED headlamp (2)	69201298
2	LED headlamp, chrome (2)	67700077
<b>Kit Number 67700261</b>		
1	Wire harness, LED headlamp (2)	69201298
2	LED headlamp, black (2)	67700263