



INSTRUCTIONS

-J05178

REV. 2010-06-11

DUAL-BULB HALOGEN HEADLAMP KIT

GENERAL

Kit Number

67700033

Models

For model fitment information, see the P&A Retail Catalog or the Parts and Accessories section of www.harley-davidson.com (English only).

Additional Parts Required

⚠ WARNING

The rider's safety depends upon the correct installation of this kit. Use the appropriate service manual procedures. If the procedure is not within your capabilities or you do not have the correct tools, have a Harley-Davidson dealer perform the installation. Improper installation of this kit could result in death or serious injury. (00333a)

NOTE

This instruction sheet references service manual information. A service manual for your model motorcycle is required for this installation and is available from a Harley-Davidson Dealer.

Kit Contents

See Figure 2 and Table 1.

INSTALLATION

⚠ WARNING

To prevent accidental vehicle start-up, which could cause death or serious injury, disconnect negative (-) battery cable before proceeding. (00048a)

1. Refer to the service manual and follow the instructions given to remove the seat and disconnect the negative battery cable.

NOTE

Be careful not to bend the two tabs that hold the trim ring in place.

2. See Figure 1. Remove the trim ring screw (1) at the bottom of the trim ring (2), and remove the trim ring. Save the trim ring and screw for re-installation.

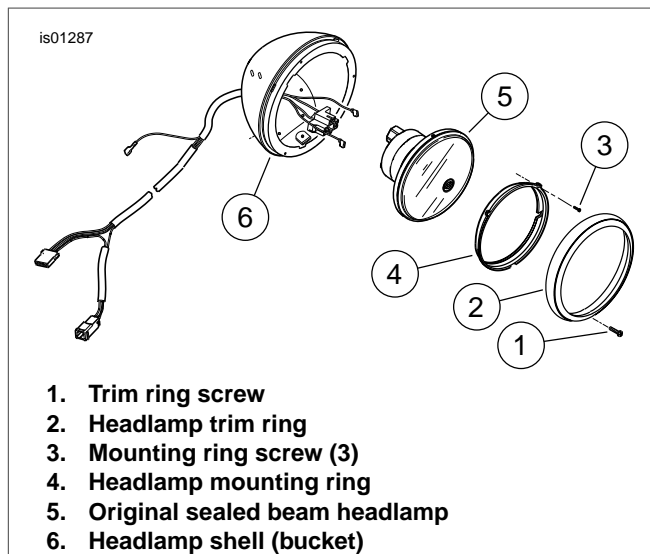


Figure 1. Remove Headlamp Components

3. Remove the mounting ring screws (3) and mounting ring (4) that hold the original equipment single-bulb headlamp assembly (5) in the headlamp bucket (6). Retain the mounting ring and screws for re-installation.
4. Disconnect the headlamp bulb from the motorcycle harness connector block. Discard the headlamp.
5. See Figure 2. Obtain the **new** wire harness (2) and the **new** dual-bulb headlamp assembly (1) from the kit.
 - a. Plug the wire connector (B) with **one black and one yellow lead** into the upper (low beam) bulb (C).
 - b. Plug the connector (A) with **one black and one white lead** into the lower (high beam) bulb (D).
 - c. Slide the flex conduit (4) over the original connector and wire harness remaining inside the headlamp bucket.
6. Plug the opposite end of the **new** wire harness into the **original** wire harness connector block inside the headlamp bucket. Position the connector inside the flex conduit.
7. To help prevent the new wire harness from rattling against the headlamp, "double-up" by folding the wire harness assembly and bundling together with a wire tie (3) from the kit.
8. Place the new dual-bulb headlamp into the bucket, and install the mounting ring with the three screws removed earlier. Tighten the mounting screws securely.
9. Install the trim ring with the screw saved earlier. Tighten the trim ring screw securely.

WARNING

After installing seat, pull upward on seat to be sure it is locked in position. While riding, a loose seat can shift causing loss of control, which could result in death or serious injury. (00070b)

10. Refer to the service manual and follow the instructions given to connect the negative battery cable and install the seat.
11. Test the headlamp for proper operation. Check the headlamp beam for proper alignment. See the service manual.

SERVICE PARTS

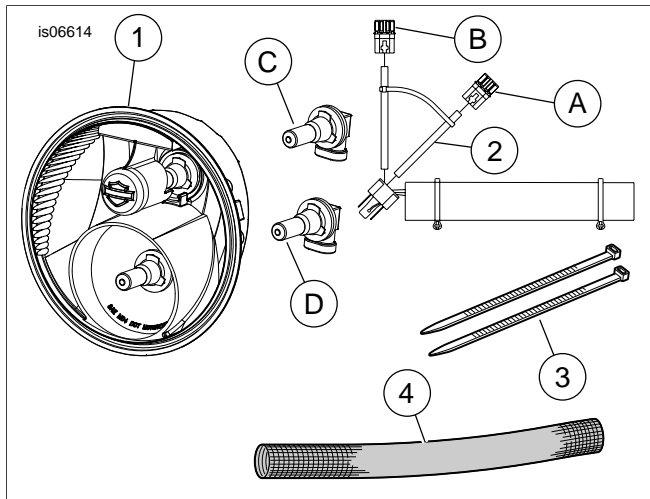


Figure 2. Service Parts: Dual-Bulb Halogen Headlamp

Table 1. Service Parts

Item	Description (Quantity)	Part Number
1	Halogen headlamp assembly, dual bulb	73271-11
2	Wire harness	73272-11
3	Wire tie (2)	10006
4	Flex conduit, woven	Not Sold Separately
Items mentioned in text:		
A	High beam harness connector (black/ white wires)	
B	Low beam harness connector (two black wires)	
Service parts available:		
C	Bulb, low beam (H11)	68881-01
D	Bulb, high beam (H9)	67717-01

