



# INSTRUCTIONS

-J04797

REV. 2009-01-08

## ELECTRA-GLO LIGHT POD KITS

### GENERAL

#### Kit Numbers

67610-09, 67620-09, 67671-09, 67678-09, 67679-09, 67680-09, 67695-09, 67701-09

#### Models

Electra-Glo™ Light Pod and Light Pod Expansion Kits fit all Harley-Davidson® and Buell® motorcycles.

These kits are available in the following colors:

Table 1. Colors

Description	Kit Number
Electra-Glo Light Pod Kit, <b>Amber</b>	67679-09
Electra-Glo Light Pod Expansion Kit, <b>Amber</b>	67610-09
Electra-Glo Light Pod Kit, <b>Red</b>	67680-09
Electra-Glo Light Pod Expansion Kit, <b>Red</b>	67620-09
Electra-Glo Light Pod Kit, <b>Blue</b>	67695-09
Electra-Glo Light Pod Expansion Kit, <b>Blue</b>	67671-09
Electra-Glo Light Pod Kit, <b>Purple</b>	67701-09
Electra-Glo Light Pod Expansion Kit, <b>Purple</b>	67678-09

#### NOTES

*Electra-Glo light pods are designed and intended for display use only. Some local regulations prohibit the use of indirect lighting while the vehicle is operated on public streets and highways.*

*Check local regulations regarding vehicle operation with indirect lighting.*

### Electrical Overload

#### CAUTION

It is possible to overload your motorcycle's charging system by adding too many electrical accessories. If your combined electrical accessories operating at any one time consume more electrical current than your vehicle's charging system can produce, the electrical consumption can discharge the battery and cause vehicle electrical system damage. See a Harley-Davidson dealer for advice about the amount of current consumed by additional electrical accessories, or for necessary wiring changes. (00211b)

#### WARNING

When installing any electrical accessory, be certain not to exceed the maximum amperage rating of the fuse or circuit breaker protecting the affected circuit being modified. Exceeding the maximum amperage can lead to electrical failures, which could result in death or serious injury. (00310a)

The power used by Electra-Glo light pods is different for each color. An Electra-Glo Light Pod Kit or expansion kit will draw additional current from the electrical system as indicated in Table 2, below.

Table 2. Light Pod Current Draw

Color	Current Draw:			Quantity of Expansion Kits (Max.)
	Each Pod	Light Pod Kit (6 Pods)	Expansion Kit (4 Pods)	Same Color (see note)
Amber	38 mA	228 mA	152 mA	10
Red	38 mA	228 mA	152 mA	10
Blue	68 mA	408 mA	272 mA	5
Purple	78 mA	468 mA	312 mA	4

#### NOTE

*If mixing light pod colors, add up the mA ratings for EACH individual pod. The total MUST NOT exceed 1800 mA.*

#### Kit Contents

See Figure 2, Figure 3 and Table 3.

## INSTALLATION

### NOTES

Clean the controller mounting area and the areas where the light pods will be mounted with soap and water before beginning the installation, and allow to dry thoroughly. Remove debris, dirt and grime from the vehicle areas to be highlighted.

Ambient temperature should be **at least** 50 °F (10 °C) for proper adhesion of the light pods and controller box to vehicle surfaces.

Light pods should not be located closer than 2.5 inches (63.5 mm) from exhaust pipes or mufflers, and must have 1.5 inches (38.1 mm) clearance from engine cylinders and heads.

Do not install light pods with the light source facing directly away from the vehicle. Installation should be done in a way that allows the light to be seen indirectly by reflecting from chrome or painted surfaces of the vehicle.

### Prepare the Motorcycle

#### WARNING

To prevent accidental vehicle start-up, which could cause death or serious injury, disconnect battery cables (negative (-) cable first) before proceeding. (00307a)

#### WARNING

Disconnect negative (-) battery cable first. If positive (+) cable should contact ground with negative (-) cable connected, the resulting sparks can cause a battery explosion, which could result in death or serious injury. (00049a)

1. Refer to the owner's manual and follow the instructions given to disconnect the battery cables, negative (-) cable first.

### NOTE

For 2004 and later XL (Sportster®) models, the negative battery cable is most easily disconnected **at the engine crankcase**.

### Locate and Install the Controller

### NOTE

**Do not** mount the controller box in a location where vehicle suspension travel could result in contact with the ON/OFF switch or dimmer control. Damage to the controller box will occur.

2. See Figure 2. Locate the controller box (10) on a flat surface that will allow the red (+) and black (-) leads to reach the battery terminals and the rider to access the controls (with the vehicle parked) and, if necessary, the in-line fuse holder (A).
  - a. Test-fit the controller box to the selected surface before installation. Do not remove the adhesive backing until ready to attach the controller box.
  - b. Clean the controller box mounting area with one of the included alcohol swabs. Allow to dry thoroughly.
  - c. Remove the liner from the adhesive backing of the controller box. Carefully position the controller box to the surface, and press firmly into place. Hold the controller box in position with steady pressure for about one minute.

## Connect the Battery Cables

### NOTE

Verify that the ignition/light key switch is in the OFF position **before** attaching the battery cables.

3. Verify that the ignition/key switch is turned to the OFF position.

Apply a light coat of Harley-Davidson electrical contact lubricant (part number 99861-02), petroleum jelly or corrosion retardant material to the battery terminals.

#### WARNING

Connect positive (+) battery cable first. If positive (+) cable should contact ground with negative (-) cable connected, the resulting sparks can cause a battery explosion, which could result in death or serious injury. (00068a)

4. Refer to the owner's manual and follow the instructions given to install **first** the vehicle's positive (+) battery cable **then** the red (+) light pod controller lead ring terminal to the positive (+) battery terminal. Tighten to owner's manual specifications.

Install **first** the vehicle's negative (-) battery cable **then** the black (-) light pod controller lead ring terminal to the negative (-) battery terminal. Tighten to owner's manual specifications.

### Arrange the Electra-Glo Light Pods

### NOTES

Electra-Glo light pods (1) can be installed in a variety of locations. They are best installed on a flat surface to provide indirect lighting illuminating mechanical features, vehicle finish or for ground effects.

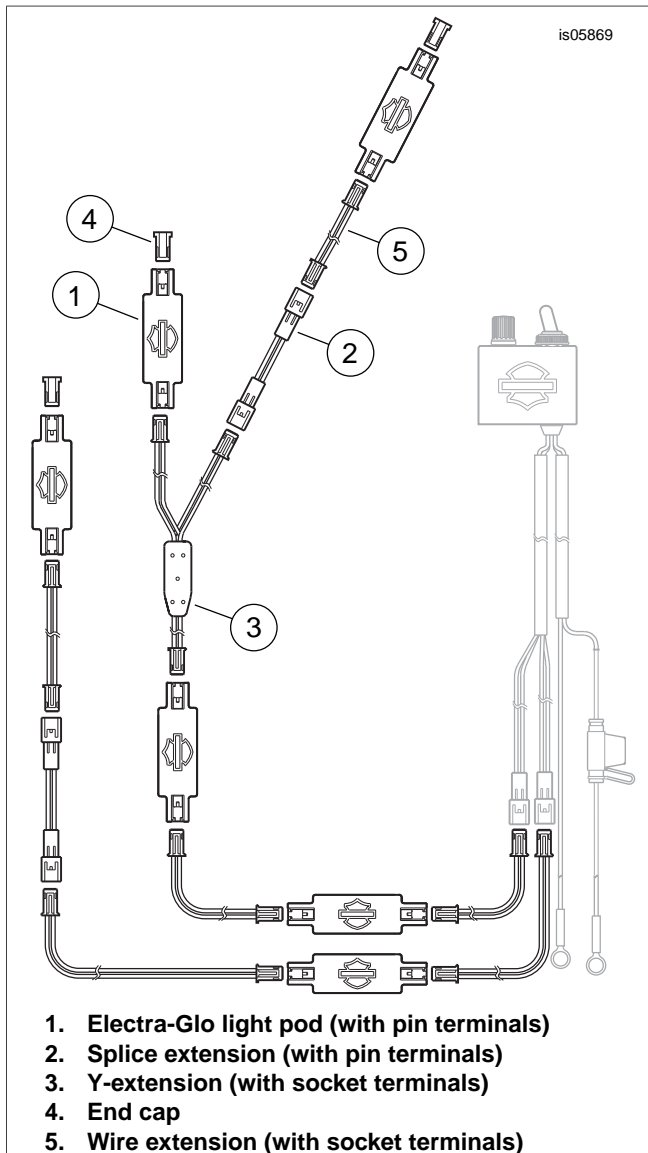
Refer to the notes at the beginning of the **Installation** section.

5. Select the area or lines of the motorcycle to highlight, and suitable locations for each light pod. **DO NOT** permanently affix the light pods at this time.

Lightly tape the pods in place temporarily until the desired visual effect is achieved

Verify clearance from movement of rubber mounted engine or other moving parts, heat sources, or chafe points.





**Figure 1. Light Pod Arrangement (Example)**

6. See Figure 1. Combine wire extensions (5), Y-extensions (3), splice extensions (2) and end caps (4) as desired to assemble a circuit in series with the light pods (1) in the selected locations.

**NOTE**

**DO NOT** install a wire extension between the last pods of two strings of light pods. A short circuit and damage to the light pod controller will occur. Finish each string with an end cap.

7. Install an end cap at the end of each string of light pods.
8. Temporarily connect the light pod strings to the two pin connectors from the controller box.

**NOTE**

The controller box has an ON/OFF toggle switch and a rotary switch to adjust light pod intensity.

9. In a subdued or darkened area, use the controller box to verify light pod operation and test the indirect lighting effect of the pod arrangement.  
Adjust the light pod locations and wire/splice extension combinations as necessary to achieve the desired effect.
10. When complete, separate the light pods from the wire, splice and Y-extension connectors.

**Install the Electra-Glo Light Pods**

11. Clean the light pod attachment points with the alcohol swabs from the kit. Allow to dry thoroughly.
12. Remove the liner from the adhesive backing of one light pod. Carefully position the light pod to the vehicle surface, and press firmly into place. Hold the light pod in position with steady pressure for a few seconds.  
Repeat for the remaining light pods.

**NOTES**

Allow **AT LEAST 24 hours** after installing the controller box and light pods before exposing the mounting areas to vigorous washing, strong water spray or extreme weather.

The adhesive bond will increase to maximum strength after about 72 hours at normal room temperature.

13. Apply the contents of the dielectric grease packets to **ALL** light pod, wire, splice and Y-extension connection points and the controller box leads. Connect the lighting circuits.
14. Bundle the wire leads from the controller box, and use the wire retainers (8) from the kit with the cable straps (9) to secure the controller box leads and all wiring between the light pods.

**Return the Motorcycle to Service**

Follow the owner's manual instructions to install the seat and any other vehicle component removed for light pod installation.

**WARNING**

**After installing seat, pull upward on seat to be sure it is locked in position. While riding, a loose seat can shift causing loss of control, which could result in death or serious injury. (00070b)**

**NOTE**

The circuit is protected by a replaceable 2A blade type fuse (11) located inside the fuse holder (A) on the controller box battery positive (+) red lead.

# SERVICE PARTS

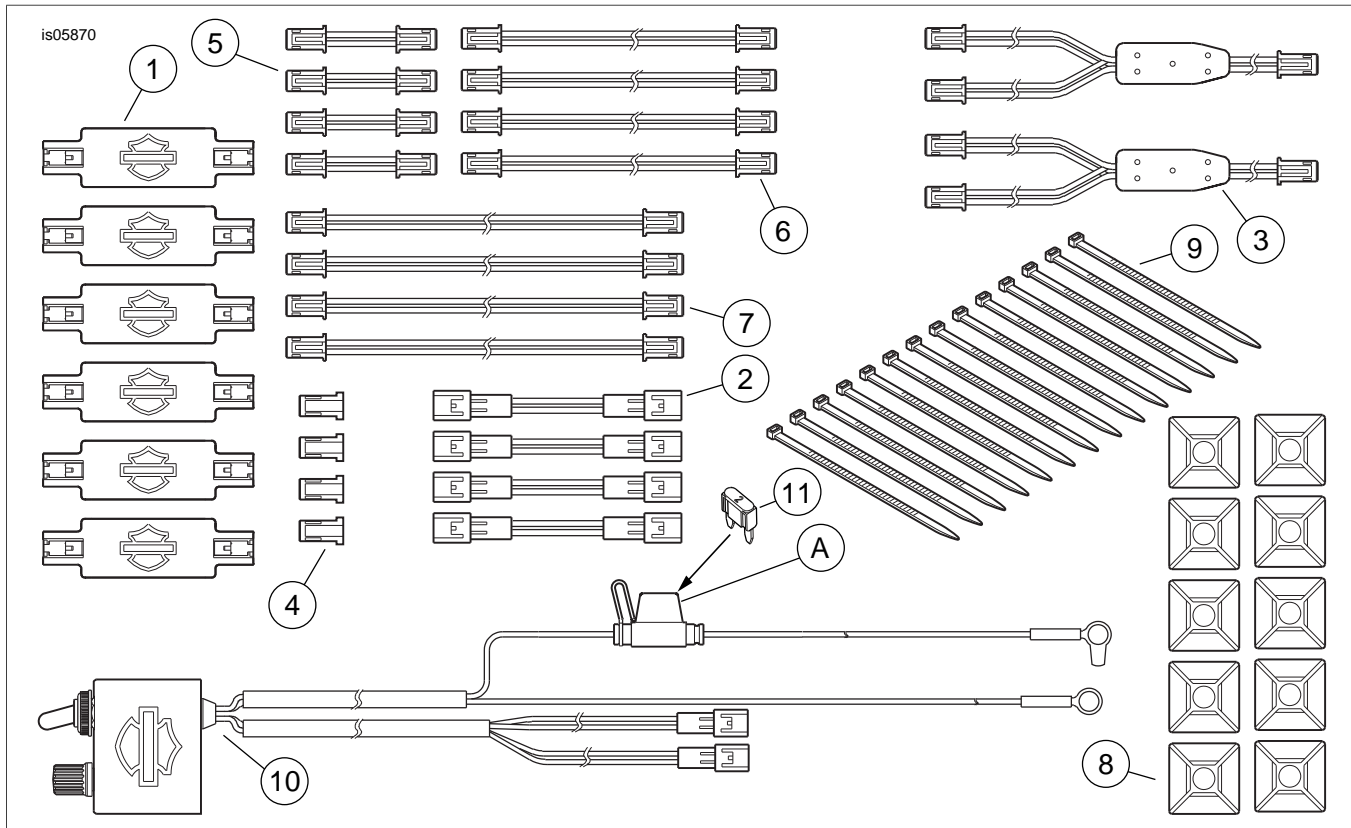


Figure 2. Service Parts, Electra-Glo Light Pod Kits

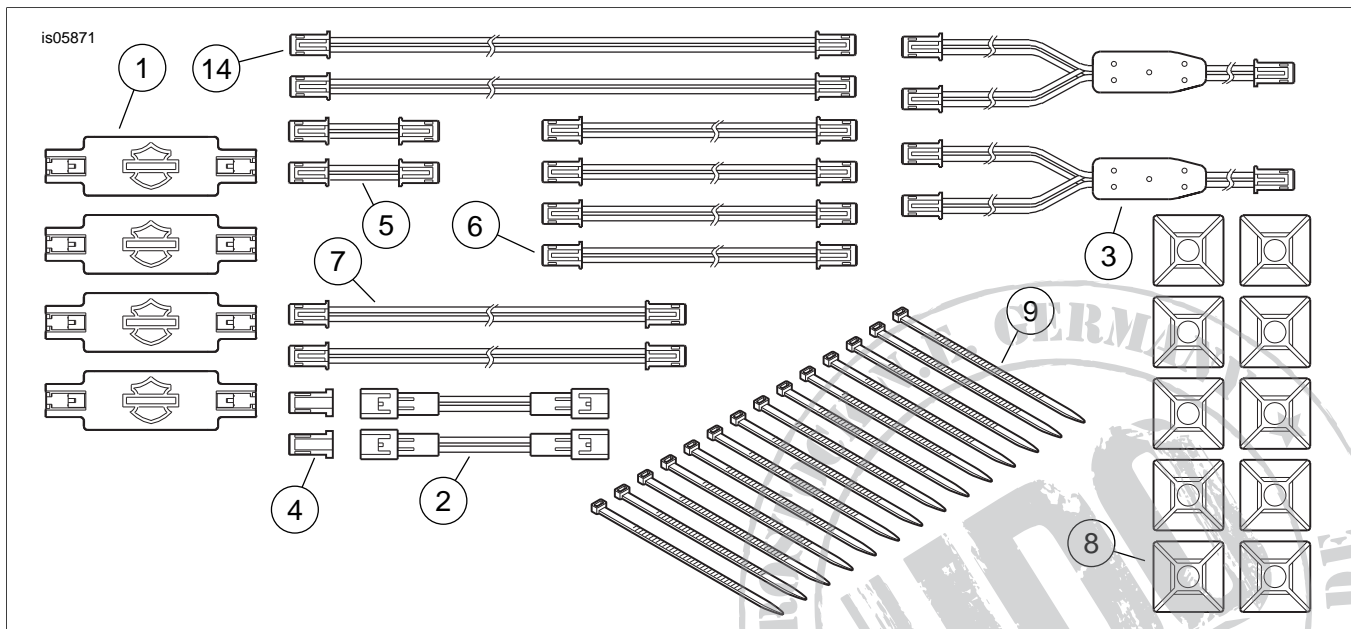


Figure 3. Service Parts, Electra-Glo Light Pod Expansion Kits

## SERVICE PARTS

Table 3. Service Parts Table

Kit	Item	Description (Quantity)	Part Number
<b>Light Pod Kits:</b>			
67679-09 (Amber)	1	Light pod, amber (6)	67707-09
67680-09 (Red)	1	Light pod, red (6)	67708-09
67695-09 (Blue)	1	Light pod, blue (6)	67711-09
67701-09 (Purple)	1	Light pod, purple (6)	67722-09
Items common to ALL light pod kits	2	Splice extension (with pin terminals), 1.75 inches (44.4 mm) long (4)	46923-05
	3	Y-extension (with socket terminals) (2)	46922-05
	4	End cap (4)	72628-09
	5	Wire extension (with socket terminals), 1.5 inches (38.1 mm) long (4)	46920-05
	6	Wire extension (with socket terminals), 9 inches (228.6 mm) long (4)	46921-05
	7	Wire extension (with socket terminals), 12 inches (304.8 mm) long (4)	46919-05
	8	Wire retainer (10)	Not sold separately
	9	Cable strap (14)	10126
	10	Light pod controller box	46904-05A
	11	Fuse, blade, 2A	54305-98
	12	Isopropyl swab (4) (not shown)	Not sold separately
	13	Dielectric grease packet (2) (not shown)	Not sold separately
	<b>Light Pod Extension Kits:</b>		
67610-09 (Amber)	1	Light pod, amber (4)	67707-09
67620-09 (Red)	1	Light pod, red (4)	67708-09
67671-09 (Blue)	1	Light pod, blue (4)	67711-09
67678-09 (Purple)	1	Light pod, purple (4)	67722-09
Items common to ALL extension kits	2	Splice extension (with pin terminals), 1.75 inches (44.4 mm) long (2)	46923-05
	3	Y-extension (with socket terminals) (2)	46922-05
	4	End cap (2)	72628-09
	5	Wire extension (with socket terminals), 1.5 inches (38.1 mm) long (2)	46920-05
	6	Wire extension (with socket terminals), 9 inches (228.6 mm) long (4)	46921-05
	7	Wire extension (with socket terminals), 12 inches (304.8 mm) long (2)	46919-05
	8	Wire retainer (10)	Not sold separately
	9	Cable strap (14)	10126
	12	Isopropyl swab (4) (not shown)	Not sold separately
	13	Dielectric grease packet (2) (not shown)	Not sold separately
	14	Wire extension (with socket terminals), 18 inches (457.2 mm) long (2)	46924-05
<b>Additional item mentioned in text:</b>			
	A	Fuse holder	