



INSTRUCTIONS

-J04362

REV. 2007-05-11

MINI-TACH BRACKET KIT

GENERAL

Kit Number

67268-06A

Models

For model fitment information, please see the P&A Retail Catalog or the Parts and Accessories section of www.harley-davidson.com (English only).

Additional Parts Required

For complete installation, this kit requires a mini-tach kit and a housing kit.

Mini-Tach Kits	Part No.
Mini-Tach Kit, black face	68953-04
Mini-Tach Kit, silver face	68986-04
Mini-Tach Kit, metal face	67201-04A
Mini-Tach Kit, nostalgic face	68031-05
Housing Kit	Part No.
Mini-Tach Tapered Gauge Housing	67524-04
Mini-Tach Standard Gauge Housing	67523-04

WARNING

The rider's safety depends upon the correct installation of this kit. Use the appropriate service manual procedures. If the procedure is not within your capabilities or you do not have the correct tools, have a Harley-Davidson dealer perform the installation. Improper installation of this kit could result in death or serious injury. (00333a)

NOTE

This instruction sheet references Service Manual information. A Service Manual for your model motorcycle is required for this installation and is available from a Harley-Davidson Dealer.

Kit Contents

See Figure 1 and Table 2.

INSTALLATION

Prepare the Motorcycle

CAUTION

It is possible to overload your motorcycle's charging system by adding too many electrical accessories. If your combined electrical accessories operating at any one time consume more electrical current than your vehicle's charging system can produce, the electrical consumption can discharge the battery and cause vehicle electrical system damage. See a Harley-Davidson dealer for advice about the amount of current consumed by additional electrical accessories, or for necessary wiring changes. (00211b)

1. Refer to the appropriate Service Manual and remove the seat.

WARNING

To prevent accidental vehicle start-up, which could cause death or serious injury, disconnect negative (-) battery cable before proceeding. (00048a)

2. Disconnect the negative (-) battery cable.

WARNING

When servicing the fuel system, do not smoke or allow open flame or sparks in the vicinity. Gasoline is extremely flammable and highly explosive, which could result in death or serious injury. (00330a)

3. Follow the instructions in the Service Manual to remove the fuel tank.
4. Follow the instruction sheet in the mini-tach kit to route and wire the mini-tach wire harness.

Install Bracket on Motorcycle

1. See Figure 1. Remove two handlebar clamp screws.
2. Put spacers (3) into the empty clamp screw counterbores.
3. Loosely secure mini-tach bracket (1) to handlebar clamp with the cap screws (2).
4. Loosen the rear clamp screws until the clamp halves separate at the front and rear.
5. Verify centering of the handlebars and position for rider posture.
6. Tighten the screws finger-tight, maintaining equal gaps between upper and lower clamps front to back. Then tighten to 12-16 ft-lbs (17-22 Nm).

Install Tachometer into Bracket

1. Follow the mini-tach kit instructions to install the isolation gasket into the mini-tach bracket and the tachometer into the gasket.
2. Follow the mini-tach instructions and match the wire colors and attach the wire terminals to the terminal posts on the back of the mini-tach.
3. Follow the instructions in the mini-tach gauge housing kit to attach the housing. Tighten the housing fastener to the torque specified in the instructions.

Return the Motorcycle to Service

1. Follow the instructions in the Service Manual and in the gauge instruction sheet to secure the wiring and install the fuel tank.
2. If required, obtain the 2 amp fuse from the mini-tach kit and install into the fuse block. The location is marked "P&A IGN" on the block cover.
3. Replace the fuse block cover.
4. Connect the negative (-) battery cable.

WARNING

After installing seat, pull upward on seat to be sure it is locked in position. While riding, a loose seat can shift causing loss of control, which could result in death or serious injury. (00070b)

5. Install the seat.
6. Follow the gauge instruction sheet to test the operation of the gauge.

SERVICE PARTS

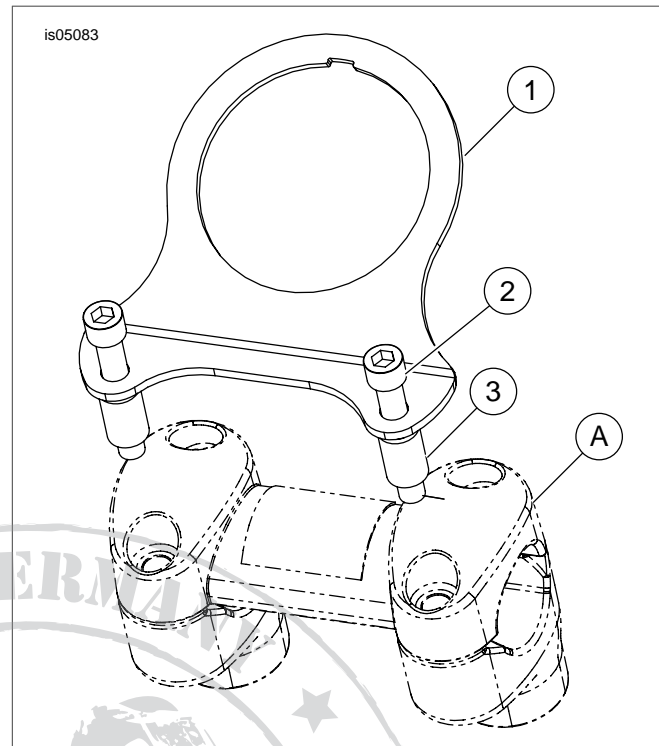


Figure 1. Service Parts: Mini-Tach Bracket Kit

Table 2. Service Parts

Item	Description (Quantity)	Part Number
1	Bracket, mini-tach gauge	Not Sold Separately
2	Spacer	11841
3	Screw, socket head, 0.3125-18	4326A
A	Risers and clamp - Reference Only	