



INSTRUCTIONS

-J04296

REV. 2007-03-21

ENGINE/TRANSMISSION INTERFACE COVER

GENERAL

Kit Number

66543-08

Models

For model fitment information, please see the P&A Retail Catalog or the Parts and Accessories section of www.harley-davidson.com (English only).

Additional Parts Required

Loctite® 243 Threadlocker and Sealant - Blue (99642-97) is required for the proper installation of this kit.

⚠ WARNING

Perform this installation when the engine is cool. Working on or near the exhaust system when the engine is hot could result in severe burns. (00311a)

Kit Contents

See Figure 3 and Table 1.

There are no Service Parts available for this kit.

INSTALLATION

1. Refer to the Owner's Manual and follow the instructions given to remove the Maxi® fuse.

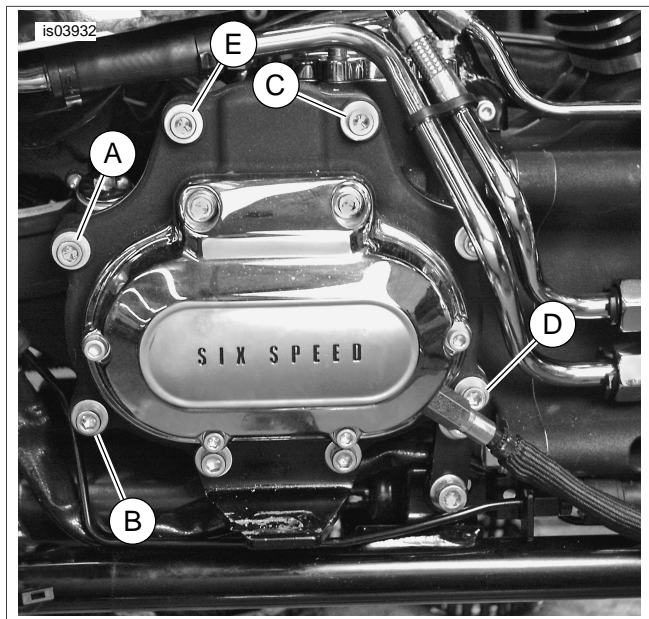
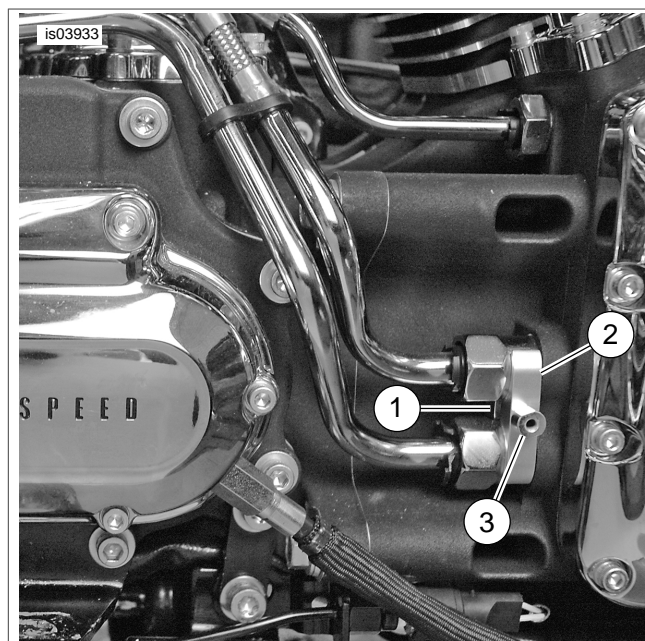


Figure 1. Bracket and Cover Fastening Locations

2. See Figure 1. Remove screw (A) from transmission bearing housing and loosen screw (B) to expose threads.

3. See Figure 1, Figure 3 and Table 1. Apply a small amount of Loctite 243 (Blue) to threads of removed and loosened screws from Step 2. Install rear bracket (4) to transmission bearing housing loosely with screw (A). Swing hook of bracket to screw (B) and secure in place. Tighten screws to 13-18 ft-lbs (17.6-24.4 Nm).
4. See Figure 1. Remove screw (C) and loosen screw (D).
5. See Figure 1, Figure 3 and Table 1. Install front bracket (10) to transmission bearing housing with screws (C) and (D) and fasten finger tight. Tighten screw (D) to 13-18 ft-lbs (17.6-24.4 Nm). Remove and retain screw (C) for later use.



1. Inner Bracket Clamp
2. Outer Bracket Clamp
3. Bracket Clamp Screw

Figure 2. Bracket Clamp Location

6. See Figure 2 and Figure 3. Position inner bracket clamp (1) behind and on the cylindrical part of the oil connections at the engine crankcase as shown.
7. Position the outer bracket clamp (2) in line with the inner bracket clamp (1) and secure the two clamps together with the bracket clamp screw (3). Tighten the screw to 80-100 in-lbs (9-11 Nm).
8. See Figure 1. Remove screw (E) and retain for next step.
9. See Figure 3. Apply Loctite 243 (Blue) to screw (Item E, Figure 1) removed in previous step and loosely mount rear interface cover (5) to transmission bearing housing. Apply a small amount of Loctite 243 (Blue) to screw (6), then

install screw and washer (7) and attach cover to rear bracket (4).

10. See Figure 1. Apply Loctite 243 (Blue) and loosely mount the front interface cover using the screw (C) removed in Step 5.
11. See Figure 3. Apply a small amount of Loctite 243 (Blue) to two screws (6), then install the two screws and two washers (7) to the front interface cover and front interface cover bracket clamp assembly.

12. Apply a small amount of Loctite 243 (Blue) to screw (12), then install screw and washer (11) through front interface cover to engage the bracket clamp screw (3).
13. See Figure 1 and Figure 3. Align covers as necessary and tighten screws (E) and (C) to 13-18 ft-lbs (17.6-24.4 Nm). Tighten all three screws (6) to 80-100 **in-lbs** (9-11 Nm). Tighten screw (12) to 40-50 **in-lbs** (4.5-5.6 Nm).
14. Refer to Owner's Manual and install Maxi® fuse.

SERVICE PARTS

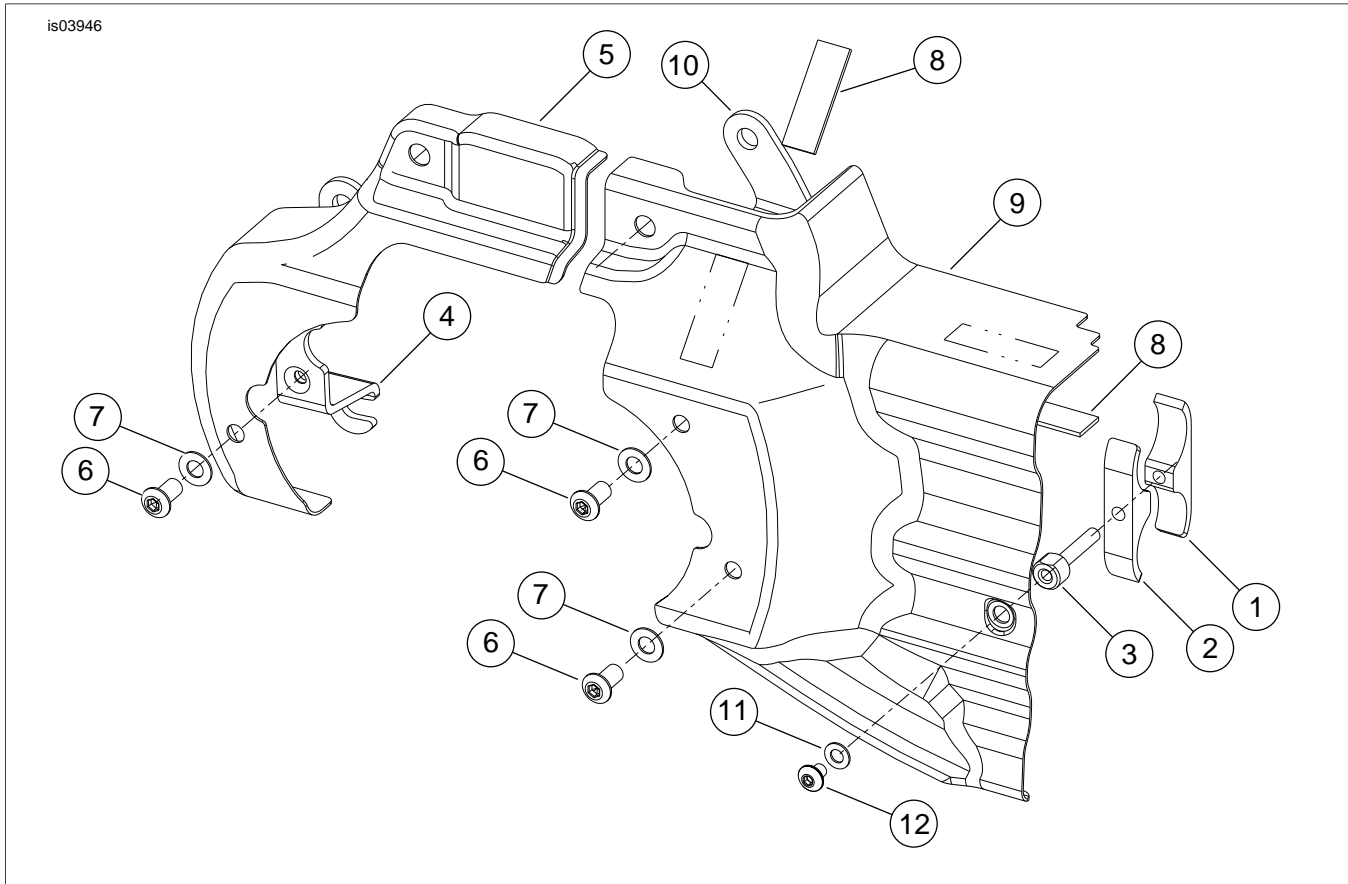


Figure 3. Engine/Transmission Interface Cover

Table 1. Service Parts Table

Item	Description (Quantity)	Part Number	Item	Description (Quantity)	Part Number
1	Clamp, inner bracket	Not Sold Separately	7	Washer, flat 1/4 inch (3)	Not Sold Separately
2	Clamp, outer bracket	Not Sold Separately	8	Strip, foam tape (2)	Not Sold Separately
3	Screw, bracket clamp	Not Sold Separately	9	Cover, front interface	Not Sold Separately
4	Bracket, rear interface cover	Not Sold Separately	10	Bracket, front interface cover	Not Sold Separately
5	Cover, rear interface	Not Sold Separately	11	Washer, flat #10	Not Sold Separately
6	Screw, socket head button cap (3)	94407-94T	12	Screw, socket head button cap	Not Sold Separately