



INSTRUCTIONS

-J03768

REV. 2006-07-14

CHROME BATTERY COVER TRIM KIT

GENERAL

Kit Number

66439-07

Models

This kit fits 2006 and later Dyna models.

Kit Contents

See Figure 3 and Table 1.

REMOVAL

1. See Figure 3. Remove button head screw (A) that attaches battery cover (B) to battery tray (C).
2. See Figure 1. Remove battery cover by lifting it over the two tabs on the battery tray.

NOTE

The original equipment battery cover trim has four pinch tabs on the reverse side that attach it to the battery cover.

3. See Figure 2. Remove original equipment battery cover trim from battery cover by pushing the four pinch tabs out of the battery cover using a pliers or suitable tool.

INSTALLATION

1. See Figure 3. Obtain chrome battery cover trim (1) from kit.

NOTE

The chrome battery cover trim needs to be centered on the battery, so the clearance between the trim and cover are consistent all the way around. This will protect the chrome or painted surface of the battery cover.

2. Center and install chrome battery cover trim onto battery cover (B).
 - a. Install washers (2) and partially thread screws (3) through the inside of the battery cover to fit snug into the trim piece.
 - b. Center trim piece and verify consistent clearance all the way around the battery cover.
 - c. Tighten screws to 80 **in-lbs** (9.0 Nm).

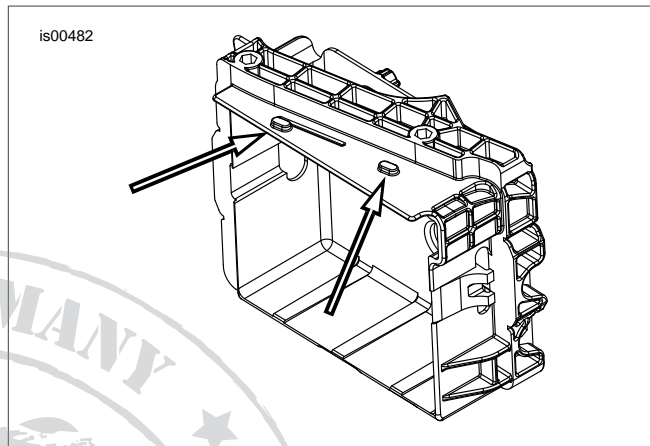


Figure 1. Position of Tabs on Battery Tray

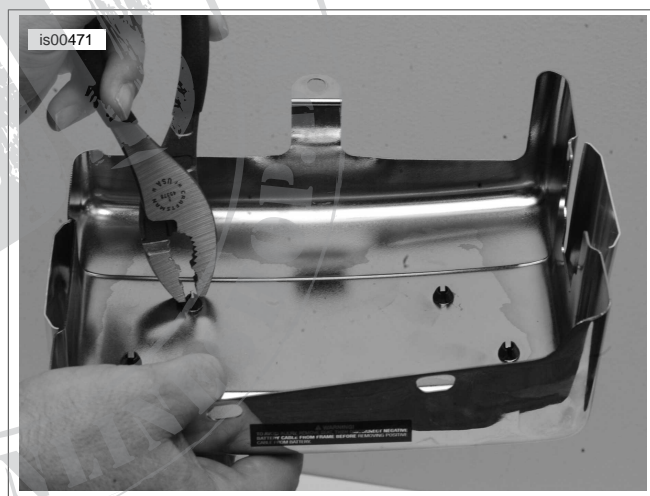


Figure 2. Push Pinch Tabs Out of Battery Cover

3. See Figure 1. Install battery cover and trim by placing it over the two tabs on the battery tray.
4. See Figure 3. Install button head screw (A) to attach battery cover (B) to battery tray (C).

SERVICE PARTS

is03534

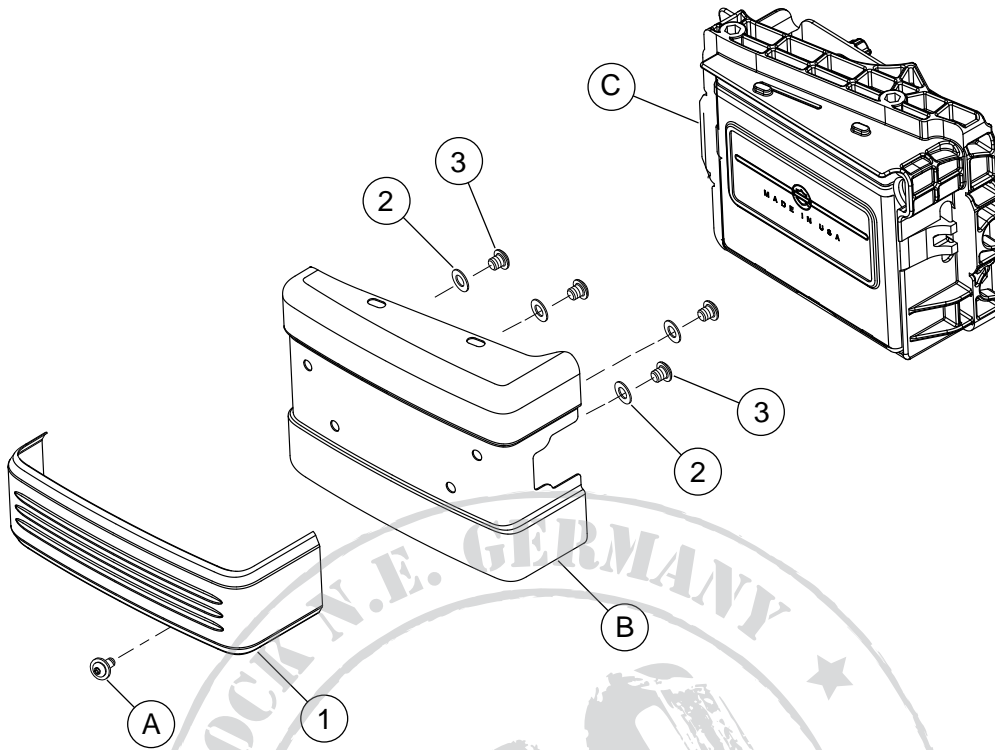


Figure 3. Service Parts: Chrome Battery Cover Trim Kit

Table 1. Service Parts: Chrome Battery Cover Trim Kit

Item	Description (Quantity)	Part Number
1	Chrome battery cover trim	Not Sold Separately
2	Washer, flat 1/4 in. (4)	Not Sold Separately
3	Screw, 1/4-20 x 1/4 in. (4)	Not Sold Separately
Original equipment parts, not included in kit:		
A	Button head screw	
B	Battery cover	
C	Battery cover tray and battery	