



INSTRUCTIONS

-J02720

REV. 04-14-2003

Kit Number 66426-04

DYNA CHROME ELECTRICAL PANEL COVER

General

This kit fits all 2004 and later Dyna model motorcycles.

NOTE

Components are shown for reference only. There are no Service Parts available with this kit.

Installation

1. Firmly grasp both sides of the existing electrical box cover and pull outward to remove.
2. Install the new cover (1) by aligning the pins (items 2 and 3) with the rubber bushings in the electrical panel and pushing firmly into place.

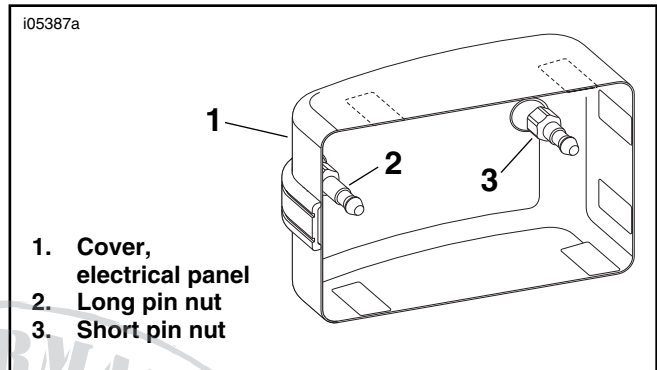


Figure 1. Electrical Panel Cover



INSTRUCTIONS

-J02720

REV. 04-14-2003

Kit Number 66426-04

DYNA CHROME ELECTRICAL PANEL COVER

General

This kit fits all 2004 and later Dyna model motorcycles.

NOTE

Components are shown for reference only. There are no Service Parts available with this kit.

Installation

1. Firmly grasp both sides of the existing electrical box cover and pull outward to remove.
2. Install the new cover (1) by aligning the pins (items 2 and 3) with the rubber bushings in the electrical panel and pushing firmly into place.

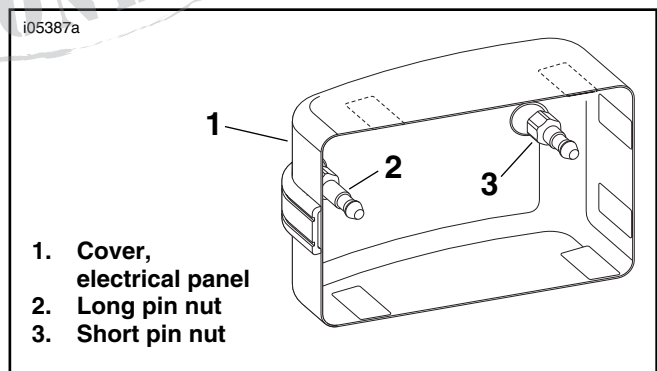


Figure 1. Electrical Panel Cover