



# INSTRUCTIONS

-J02971

REV. 10-15-03

Part No. 66261-04

## XL CHROME LEFT HAND SIDE COVER KIT

### General

See [Figure 1](#). This kit replaces the original left hand side cover with a chrome cover.

This kit fits all 2004 Sportster models.

This kit contains the following items:

#### QTY DESCRIPTION

- 1 Side cover, left hand, chrome, XL
- 1 Grommet, side cover mounting \*

\* component comes pre-installed

Items in this kit are not sold separately.

### Removal

No tools are required to remove or replace the cover.

1. See [Figure 2](#). Grasp left side cover at upper corners and gently pull away from plastic mounting clips (1) on frame.
2. Lift cover up slightly so mounting grommet (item 2, [Figure 1](#).) clears mounting tab (item 2, [Figure 2](#).) on battery tray. Remove cover.

### Installation

1. Place bottom of **new** side cover with grommet (item 2, [Figure 1](#).) onto mounting tab (item 2, [Figure 2](#).) on battery tray.
2. Line up top of side cover with mounting clips (item 1, [Figure 2](#).), aligning with front clip first. Press top of side cover into clips until snug.

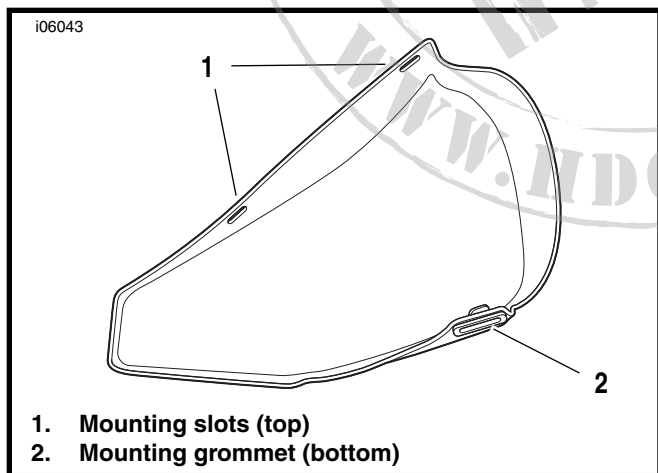


Figure 1. Left Hand Side Cover

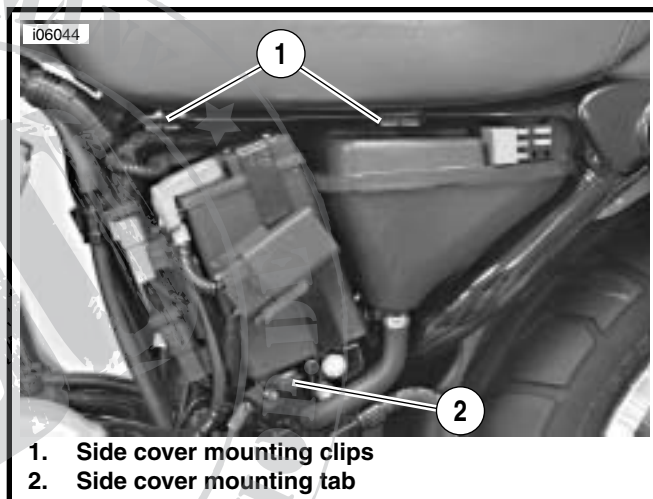


Figure 2. Side Cover Mounting Clips and Tab