

INSTALLATION INSTRUCTIONS

MESH FRONT PULLEY COVER FOR SPORTSTERS, CHROME

6554

THANK YOU FOR CHOOSING KURYAKYN!

Protect yourself and others from possible injury and property damage or loss. Pay close attention to all instructions, warnings, cautions, and notices regarding the installation, use, and care of this product.

WARNING THIS INDICATION ALERTS YOU TO THE FACT THAT IGNORING THE CONTENTS DESCRIBED HEREIN CAN RESULT IN POTENTIAL DEATH OR SERIOUS INJURY.

CAUTION THIS INDICATION ALERTS YOU TO THE FACT THAT IGNORING THE CONTENTS DESCRIBED HEREIN CAN RESULT IN MINOR OR MODERATE POTENTIAL INJURY.

NOTICE THIS INDICATION ALERTS YOU TO THE FACT THAT IGNORING THE CONTENTS DESCRIBED HEREIN MAY NEGATIVELY AFFECT PRODUCT PERFORMANCE AND FUNCTIONALITY OR DAMAGE THE PRODUCT ITSELF OR THE PRODUCT TO WHICH IT IS BEING ATTACHED.

ENSURE THAT THE FOLLOWING PARTS HAVE BEEN INCLUDED IN THE KIT:

- | | | | |
|---|-------------------|---|--------------------------------------|
| 1 | Mesh Pulley Cover | 1 | Hardware Kit, containing: |
| | | 1 | Pulley Cover Standoff |
| | | 1 | 1/4-20 X 2.25 Socket Head Cap Screws |
| | | 1 | 1/4-20 X 1.75 Socket Head Cap Screws |
| | | 1 | Flat Washer |

YOU WILL ALSO NEED:

Hex wrench set, combo wrench set, socket set and ratchet, in-lbs (Nm) torque wrench, and ft-lbs (Nm) torque wrench

NOTICE THESE INSTALLATION INSTRUCTIONS CONTAIN IMPORTANT INFORMATION. ENSURE THE END USER RECEIVES THIS COPY AND IS AWARE OF ITS IMPORTANCE FOR FUTURE USE.

STEP 1 Read and understand all steps in the instructions before starting the installation. Park the motorcycle on a hard, level surface and turn off the ignition. Let motorcycle cool. Remove main fuse.

NOTICE AVOID DAMAGE TO THE MOTORCYCLE. PROTECT PAINTED SURFACES WITH A SOFT CLOTH OR BLANKET.

WARNING THE END USER'S SAFETY DEPENDS UPON PROPER INSTALLATION OF THIS PRODUCT. IF A STEP IN THESE INSTRUCTIONS IS NOT WITHIN YOUR CAPABILITIES OR YOU DO NOT HAVE THE CORRECT TOOLS, HAVE YOUR DEALER PERFORM THE PROCEDURE. IMPROPER INSTALLATION OF THIS PRODUCT COULD RESULT IN DEATH OR SERIOUS INJURY.

WARNING ACCIDENTAL VEHICLE START-UP COULD CAUSE DEATH OR SERIOUS INJURY, REMOVE THE MAIN FUSE BEFORE PROCEEDING.

STEP 2 Refer to PIC 1. Refer to your motorcycle's service manual for assistance. Remove exhaust system to access sprocket cover.

STEP 3 Refer to FIG 1. Remove the screw, washer, and the exhaust pipe clamp bracket from the sprocket cover. Set them aside as they will be reused.

STEP 4 Refer to FIG 1. Remove the upper and lower screws connecting the sprocket cover to the motorcycle. Set aside they will **NOT** be reused.

STEP 5 Remove existing sprocket cover, set it aside it will not be reused.



PIC 1

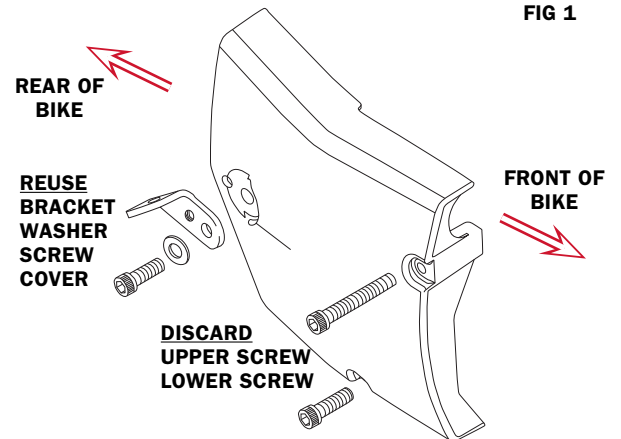


FIG 1

INSTALLATION INSTRUCTIONS

MESH FRONT PULLEY COVER FOR SPORTSTERS, CHROME

6554

-CONTINUED-

STEP 6 Locate the provided Mesh Pulley Cover, 1/4-20 X 2.25 Socket Head Cap Screws, 1/4-20 X 1.75 Socket Head Cap Screws, and Flat Washer.

STEP 7 Refer to FIG 2. Align the holes of the pulley cover to the motorcycle. Insert the 1/4-20 X 2.25 screw into the upper forward mounting holes and lightly tighten. Align the flat washer behind the lower forward mounting hole; insert the 1/4-20 X 1.75" screw into the lower forward mounting hole and through the washer. Fully tighten both screws.

TORQUE VALUE FOR SPROCKET COVER FORWARD AND LOWER SCREW:
80-120 IN-LBS (9.0-13.6 NM)

STEP 8 Refer to FIG 2 and PIC 2. Locate the provided Standoff, and the OEM screw, washer, and exhaust pipe clamp bracket that were removed in Step 3. Place the washer onto the screw, followed by the bracket and then the provided standoff. Fasten the hardware assembly to the motorcycle where the OEM hardware was originally removed from.

TORQUE VALUE FOR SPROCKET COVER REAR SCREW:
30-33 FT-LBS (40.7-44.7 NM)

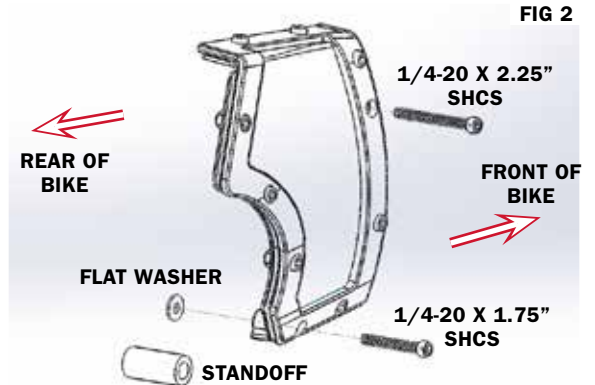
STEP 9 Reinstall the exhaust system.

Note: It is recommended to replace the exhaust gasket during this process. Gasket is sold separately.

STEP 10 Reinstall main fuse.

NOTICE

IT IS THE INSTALLER'S RESPONSIBILITY TO ENSURE THAT ALL OF THE FASTENERS (INCLUDING PRE-ASSEMBLED) ARE TIGHTENED BEFORE OPERATION OF THE MOTORCYCLE. KURYAKYN WILL NOT PROVIDE WARRANTY COVERAGE ON PRODUCTS OR COMPONENTS LOST DUE TO IMPROPER INSTALLATION OR LACK OF MAINTENANCE. PERIODIC INSPECTION AND MAINTENANCE ARE REQUIRED ON ALL FASTENERS.



INSTALLATION INSTRUCTIONS

MESH FRONT PULLEY COVER FOR SPORTSTERS, CHROME

6554

-CONTINUED-

LIMITED WARRANTY

Kuryakyn warrants that any Kuryakyn products sold hereunder, shall be free of defects in materials & workmanship for a period of one (1) year from the date of purchase by the consumer excepting the following provisions:

1. Kuryakyn shall have no obligation in the event the customer is unable to provide a receipt showing the date the customer purchased the product(s).
2. The product must be properly installed, maintained & operated under normal conditions.
3. Kuryakyn shall not be liable for any consequential & incidental damages, including labor & paint, resulting from failure of a Kuryakyn product, failure to deliver, delay in delivery, delivery in nonconforming condition, or for any breach of contract or duty between Kuryakyn & a customer.
4. Kuryakyn products are often intended for use in specific applications. Kuryakyn makes no warranty if a Kuryakyn product is used in applications other than intended.
5. Kuryakyn electrical products are warranted for one (1) year from the date of purchase by the consumer. L.E.D.'s contained in components of Kuryakyn products will be warranted for defects in materials & workmanship for 3 years from the date of purchase whereas all other components shall be warranted for one (1) year.
6. All warranty claims must be directed to the place of purchase. Merchandise sold through internet auction sites or any other unauthorized reseller shall not carry a Kuryakyn warranty. If unsure, please contact the place of purchase to verify they are an authorized Kuryakyn reseller.

RETURN POLICY

Merchandise determined to be defective may be returned up to one year from the date of purchase. Returns must be processed through original seller. Returned merchandise for any other reason other than warranty claims must be in like new condition & subject to a 20% restocking fee. All returns are subject to inspection for determination of full or partial credit. Any returned part that shows evidence of being used or installed contrary to manufacturer's instructions, &/or subjected to improper handling, packaging or return shipping by the customer, will not be eligible for exchange, refund or warranty consideration. All returned electrical items will be inspected & tested. If electrical item is deemed functional, no credit will be issued & item will be returned. All sales are final on discontinued or closeout merchandise.

©2015 KURYAKYN HOLDINGS, LLC ALL RIGHTS RESERVED

KURYAKYN, KURYAKYN K logo and the marks appearing on this instruction sheet are registered and common law trademarks of Kuryakyn Holdings except noted third-party trademarks. A full listing of trademarks and trademark registrations owned by Kuryakyn Holdings can be found at www.kuryakyn.com/legal-notice.

Emissions Notice: The California Air Resources Board (CARB) does not permit the use of aftermarket emission-related parts(s) that alter the performance of OEM emission-related devices unless CARB has issued an Executive Order, other than on racing vehicles on closed courses. Check your local laws and manufacturer's information.

Listed Manufacturers and product model names are for reference only. All product and company names are trademarks or registered trademarks of their respective holders. Use of them does not imply any affiliation with or endorsement by them. All specifications are subject to change without notice.

For additional information on third-party product and company names, please consult our Web page at www.kuryakyn.com/legal-notice