



INSTRUCTIONS

-J05430

REV. 2011-05-20

DYNA EXHAUST SHIELDS

GENERAL

Kit Number

65400088

Models

For model fitment information, see the P&A Retail Catalog or the Parts and Accessories section of www.harley-davidson.com (English only).

Kit Contents

See Figure 2 and Table 1.

WARNING

The rider's safety depends upon the correct installation of this kit. If the procedure is not within your capabilities or you do not have the correct tools, have a Harley-Davidson dealer perform the installation. Improper installation of this kit could result in death or serious injury. (00308a)

NOTE

A service manual for the year and model motorcycle is available from a Harley-Davidson dealer.

INSTALLATION

Remove Original Equipment (OE) Exhaust Shields

1. Allow the motorcycle to cool.
2. Note the position of the original equipment (OE) clamp screws securing the exhaust shields to the exhaust pipes.

NOTE

The clamp screws are positioned on either side of the exhaust pipe for clearance.

3. See Figure 1. Open the band clamps (1) and spread the bands to remove the exhaust shields (2) from the exhaust.
4. Remove the clamps from the exhaust shields and save for installation.

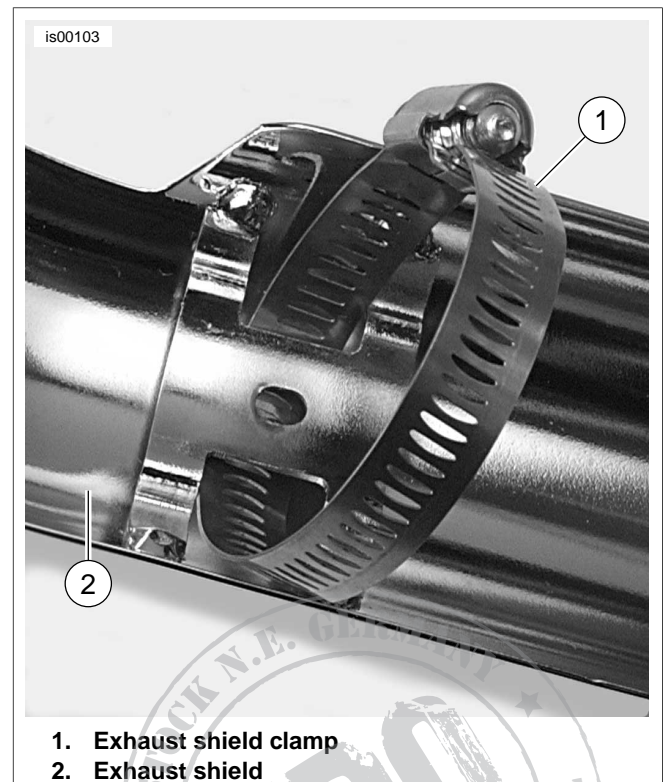
Install Exhaust Shields

1. Install the OE clamps to the new exhaust shields.

2. See Figure 2. Spread the band around the exhaust pipes and push the end of the bands to engage the clamp screws. Tighten the screws to hold the exhaust shields in place.
3. Adjust the shields and band clamps to access clamp screws and to avoid contact with other components.
4. Tighten the clamp screws.

NOTICE

Wipe all fingerprints off of exhaust system components after installation and before starting engine. Oil from hands can leave permanent marks on exhaust system finish. (00346a)



1. Exhaust shield clamp
2. Exhaust shield

Figure 1. Exhaust Shield Clamp and Exhaust Shield

SERVICE PARTS

is07043

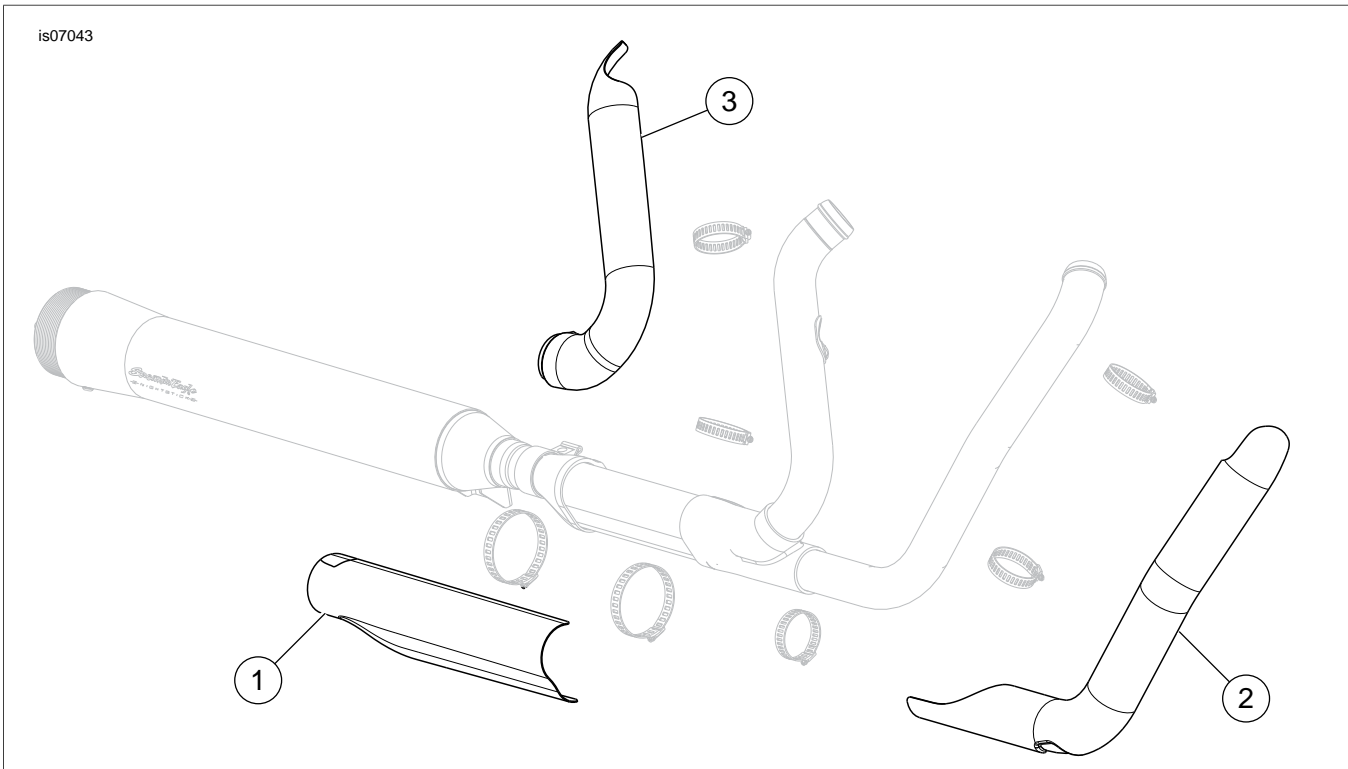


Figure 2. Service Parts: Dyna Black Exhaust Shields

Table 1. Service Parts Table

Item	Description (Quantity)	Part Number
1	Exhaust shield, exhaust collector	Not Sold Separately
2	Exhaust shield, front	Not Sold Separately
3	Exhaust shield, rear	Not Sold Separately

