



INSTRUCTIONS

-J00409

2009-11-05

TOURING MUFFLER FOR 1995 AND LATER MODELS

GENERAL

Kit Number

65259-00

Models

For the most up-to-date model fitment information, see the P&A Retail Catalog or the Parts and Accessories section of www.harley-davidson.com (English only).

Additional Parts Required

Proper installation of this kit requires the separate purchase of two muffler clamps, Harley-Davidson Part Number 65296-95A.

This kit does not contain muffler end caps. The end caps must be purchased separately. Contact a Harley-Davidson Dealer for end cap information.

▲ WARNING

The rider's safety depends upon the correct installation of this kit. Use the appropriate service manual procedures. If the procedure is not within your capabilities or you do not have the correct tools, have a Harley-Davidson dealer perform the installation. Improper installation of this kit could result in death or serious injury. (00333a)

NOTE

This instruction sheet references service manual information. A service manual for your model motorcycle is required for this installation and is available from a Harley-Davidson Dealer.

Kit Contents

See Figure 4 and Table 1.

Product Information

Noise Emission Warranty

Harley-Davidson warrants that these mufflers, at the time of sale, meet all applicable United States E.P.A. Federal noise and Emissions standards. This warranty extends to the first person who buys these mufflers for purposes other than resale, and to all subsequent buyers. Warranty claims should be directed to an authorized Harley-Davidson Dealer.

Tampering Prohibition

Federal law prohibits any modification to this exhaust system which causes the motorcycle to exceed the Federal noise standard. Use of the motorcycle with such a modified exhaust system is also prohibited.

NOTE

This product should be checked for repair or replacement if the motorcycle noise has increased significantly through use. Otherwise, the owner may become subject to penalties under state and local ordinances.

Installation

NOTE

Install end caps on mufflers before installing mufflers on vehicle.

Install Attachment Ring End Caps

1. See Figure 1. Slide the three U-nuts (2) from the end cap kit onto the bosses of the end cap attachment ring (1).
2. Slide end cap (4) onto muffler body being careful to align holes in end cap with U-nuts.
3. Install the three countersunk screws (3) from the end cap kit and tighten screws securely.
4. Repeat for opposite side muffler.

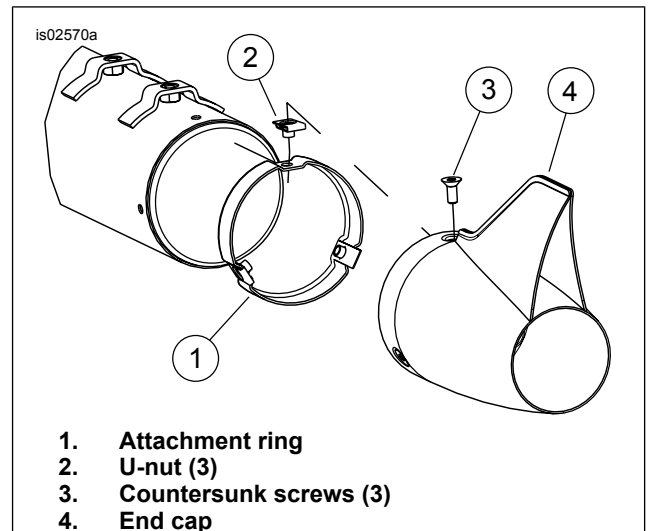


Figure 1. Install End Cap on Attachment Ring

Install Mufflers

1. Remove saddlebags according to the appropriate service manual.
2. See Figure 2. Loosen stock muffler clamp (1).
3. See Figure 3. Remove and retain stock bolts (1) and lockwashers (2).
4. Remove stock muffler. Discard clamp from Step 2.

-J00409



Many Harley-Davidson® Parts & Accessories are made of plastics and metals which can be recycled. Please dispose of materials responsibly.

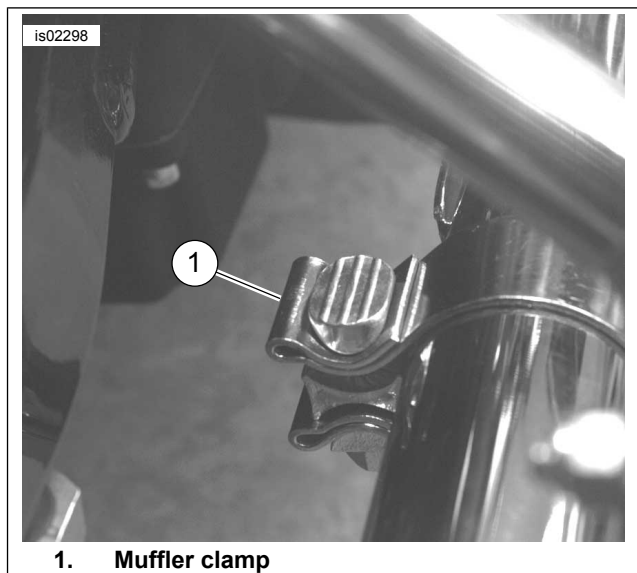
1 / 3

5. Install new muffler clamp on inlet end of muffler and slide muffler onto exhaust pipe.
6. Secure rear of muffler to sliding bracket with original equipment bolts and lockwashers. Do not tighten bolts fully at this time.
7. Position sliding bracket so rubber mount (3) is at center of sliding bracket.
8. Tighten bolts (1) to 25.7 N·m (19 ft-lbs).
9. See Figure 2. Position the muffler clamp as shown. The clamp bolt should be vertical.
10. Tighten clamp bolt to 61–81 N·m (45–60 ft-lbs).

NOTICE

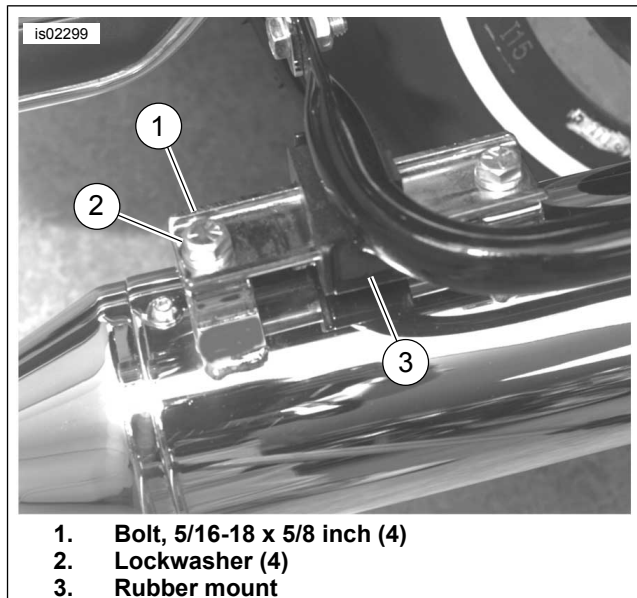
Wipe all fingerprints off of exhaust system components after installation and before starting engine. Oil from hands can leave permanent marks on exhaust system finish. (00346a)

11. Wipe muffler clean of all fingerprints. Oil from hands will burn permanently into chrome finish.
12. Repeat Steps 2 through 11 for opposite side.
13. Start engine and check for exhaust leaks.
14. Install saddlebags according to the appropriate service manual.



1. Muffler clamp

Figure 2. Front Muffler Clamp



- 1. Bolt, 5/16-18 x 5/8 inch (4)**
- 2. Lockwasher (4)**
- 3. Rubber mount**

Figure 3. Rear Muffler Mount

SERVICE PARTS

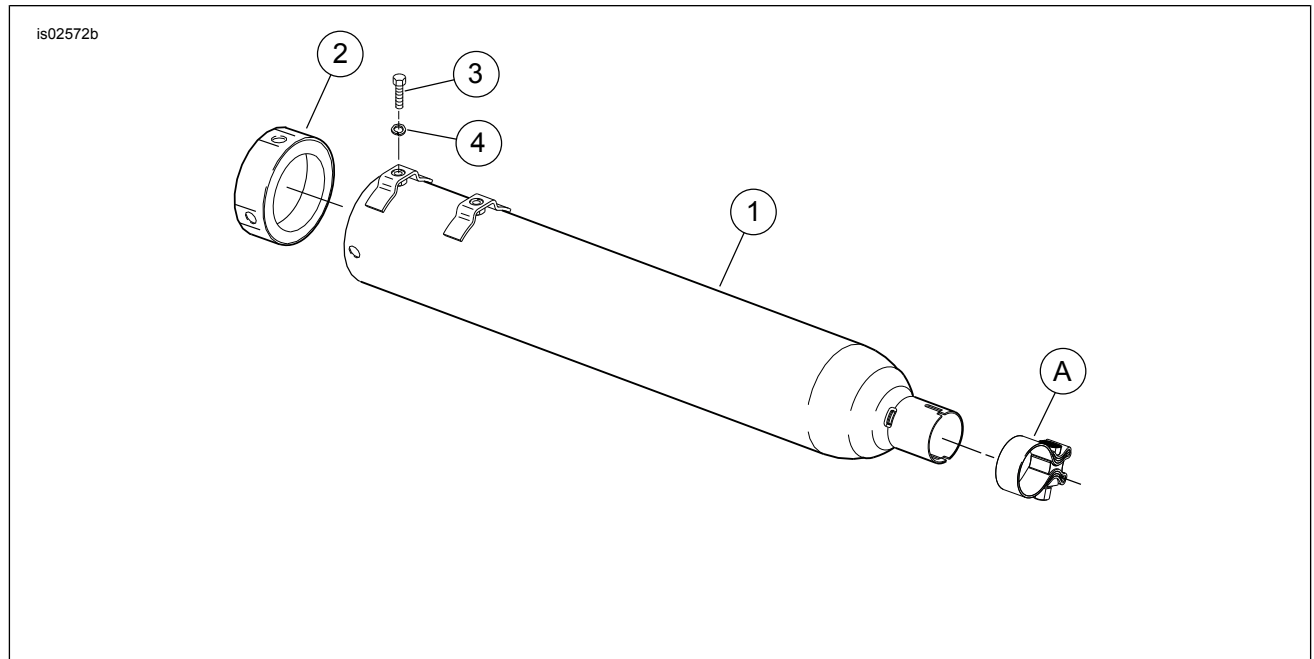


Figure 4. Service Parts: Touring Muffler Kit

Table 1. Service Parts Table

Item	Description (Quantity)	Part Number
1	Muffler (2)	65254-00
2	Ring, end cap attachment (2)	65332-00
3	Screw, hex, 5/16-18 x 5/8 in. (4)	2882W
4	Lockwasher (4)	7041
Items mentioned in text, but not included in kit:		
A	Clamp, muffler (sold separately - 2)	65296-95A