



INSTRUCTIONS

-J06271

2016-04-11

SCREAMIN' EAGLE 4.5 IN MUFFLER ENDCAP KITS

GENERAL

Kit Numbers

65100076, 65100078, 65100084, 65100085, 65100095, 65100096, 65100097

Models

For model fitment information, see the P&A retail catalog or the Parts and Accessories section of www.harley-davidson.com (English only).

Installation Requirements

▲ WARNING

The rider's safety depends upon the correct installation of this kit. If the procedure is not within your capabilities or you do not have the correct tools, have a Harley-Davidson dealer perform the installation. Improper installation of this kit could result in death or serious injury. (00308a)

Kit Contents

See Figure 1 and Table 1.

Installation

1. See Figure 1. Slide the three U-nuts (3) onto the bosses of the endcap retaining ring (2).
2. Align the three U-nuts with the corresponding holes in the endcap (1). Insert the endcap retaining ring into the inside of the endcap.

NOTE

Failure to tighten screws alternately could cause a gap between endcap and muffler.

3. Insert the end cap and attachment ring into the muffler. Align the three U-nut holes with the holes in the muffler body.
4. Install three flat head screws (4). Alternately tighten to 9.5–12.2 N·m (7–9 ft-lbs).
5. Repeat on other side.

NOTICE

Wipe all fingerprints off of exhaust system components after installation and before starting engine. Oil from hands can leave permanent marks on exhaust system finish. (00346a)

6. Wipe exhaust system clean of all fingerprints. Oil from hands burns permanently into exhaust system finish.

SERVICE PARTS

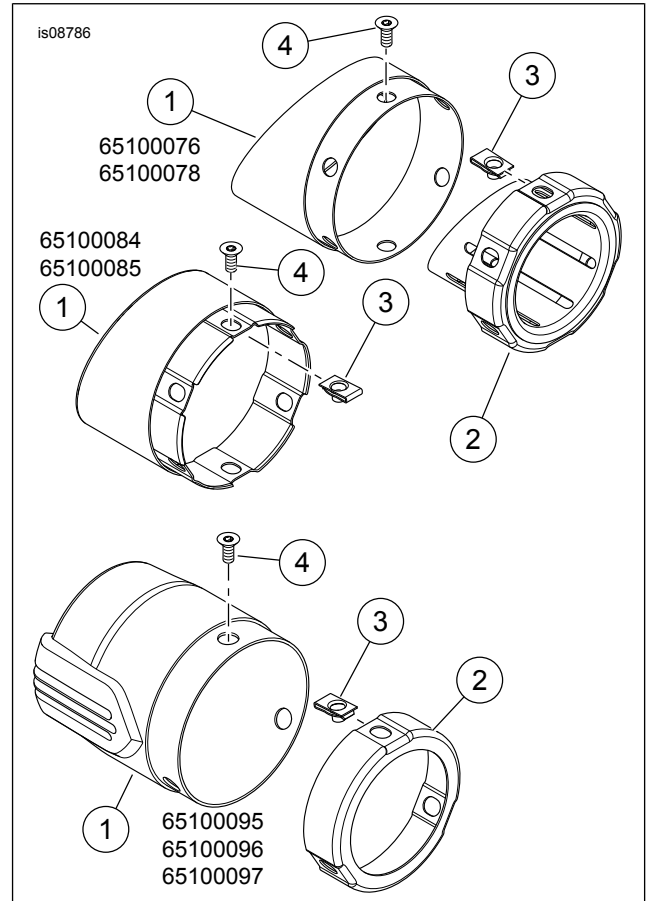


Figure 1. Service Parts, Muffler Endcap Kits

Table 1. Service Parts

Item	Description (Quantity)	Part Number
1	End cap, muffler (2)	Not sold separately
2	Retaining ring, muffler endcap	Not sold separately
3	U-nut (3)	8146
4	Cap screw, flat countersunk head, hex socket, 1/4-20 x 16 mm (0.63 in) long	2225