



INSTRUCTIONS

-J04046

2014-09-23

SCREAMIN' EAGLE STREET PERFORMANCE 4-INCH MUFFLER END CAPS

GENERAL

Kit Numbers

80615-07, 80616-07, 80618-07, 80619-07, 80622-07, 80623-07, 65100015, 65100016, 65100017, 65100018, 65100019, 65100028, 65100054, 65100062

Models

For model fitment information, see the P&A Retail Catalog or the Parts and Accessories section of www.harley-davidson.com (English only).

Kit Contents

Direct Bolt-on End Cap Kits: These kits contain 4 socket head screws (Part No. 10200426) for each end cap in the kit.

Attachment Ring End Cap Kits: These kits contain 4 socket head screws (Part No. 10200426), 3 countersunk screws (Part No. 2225), 3 U-nuts (Part No. 8146) and an attachment ring (Part No. 65275-07) for each end cap in the kit.

INSTALLATION

NOTE

Install end caps on mufflers before installing mufflers on vehicle.

Install Direct Bolt-on End Caps

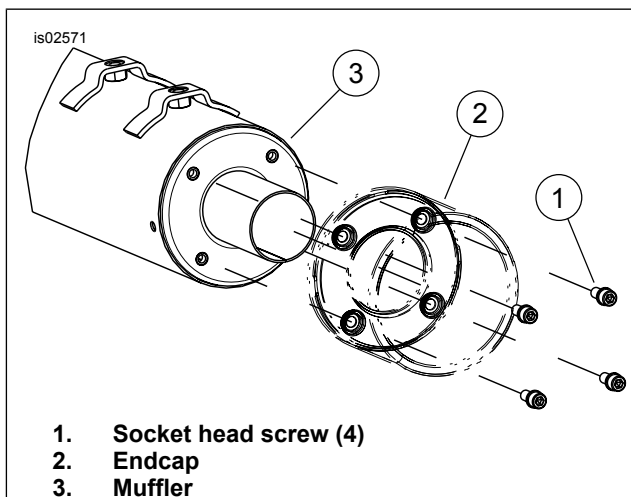


Figure 1. Install Endcap on Muffler

1. See Figure 1. Install end cap to muffler with four socket head screws. Tighten to 9.3–9.7 N·m (82–86 in-lbs).
2. Repeat for opposite side muffler.

Install Attachment Ring End Caps

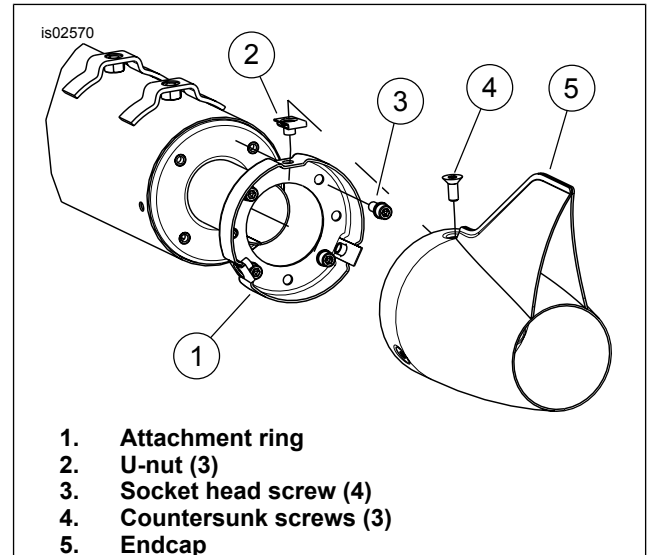


Figure 2. Install Endcap on Attachment Ring

1. See Figure 2. Slide the three U-nuts onto the bosses of the end cap attachment ring cup on the muffler.
2. Install attachment ring to muffler with four socket head cap screws. Rotate the attachment ring to suit your specific end cap style. Tighten to 9.3–9.7 N·m (82–86 in-lbs).
3. Slide end cap onto muffler body being careful to align holes in end cap with U-nuts.
4. Install the three countersunk screws and tighten screws securely.
5. Repeat for opposite side muffler.

NOTICE

Wipe all fingerprints off of exhaust system components after installation and before starting engine. Oil from hands can leave permanent marks on exhaust system finish. (00346a)

6. Wipe end cap and muffler to remove fingerprints and any other oils or dirt.
7. Install muffler following the Instruction Sheet included in the muffler or exhaust system kit.