



INSTRUCTIONS

-J05771

2017-01-16

SCREAMIN' EAGLE STREET PERFORMANCE 3.25-INCH MUFFLER END CAPS

GENERAL

Kit Numbers

65100044, 65100048, 65100049, 65100063, 65100107

Models

For model fitment information, see the P&A retail catalog or the Parts and Accessories section of www.harley-davidson.com (English only).

Kit Contents

See Figure 1 and Table 1.

INSTALLATION

NOTE

Install end caps on mufflers **before** installing mufflers on vehicle.

Kits 65100048, 65100049 and 65100107:

1. See Figure 1. Slide the three U-nuts (2) onto the bosses of the end cap attachment ring cup (1) on the muffler (A).
2. Align attachment ring to muffler. Install ring to muffler with socket head cap screws (3). Tighten to 9.3–9.7 N·m (82–86 in-lbs).

3. Align holes in end cap (5) with U-nuts (2). Slide end cap onto muffler body.
4. Install the three countersunk screws (4). Tighten to 4.3–4.7 N·m (38–42 in-lbs).
5. Repeat for second muffler.

Kits 65100044 and 65100063:

1. See Figure 1. Install end cap (7) to muffler (A) with three socket head screws (6). Tighten to 9.3–9.7 N·m (82–86 in-lbs).
2. Repeat for second muffler.

All Models

1. Install muffler following the instructions included in the muffler or exhaust system kit.

NOTICE

Wipe all fingerprints off of exhaust system components after installation and before starting engine. Oil from hands can leave permanent marks on exhaust system finish. (00346a)

2. Wipe exhaust system clean.

SERVICE PARTS

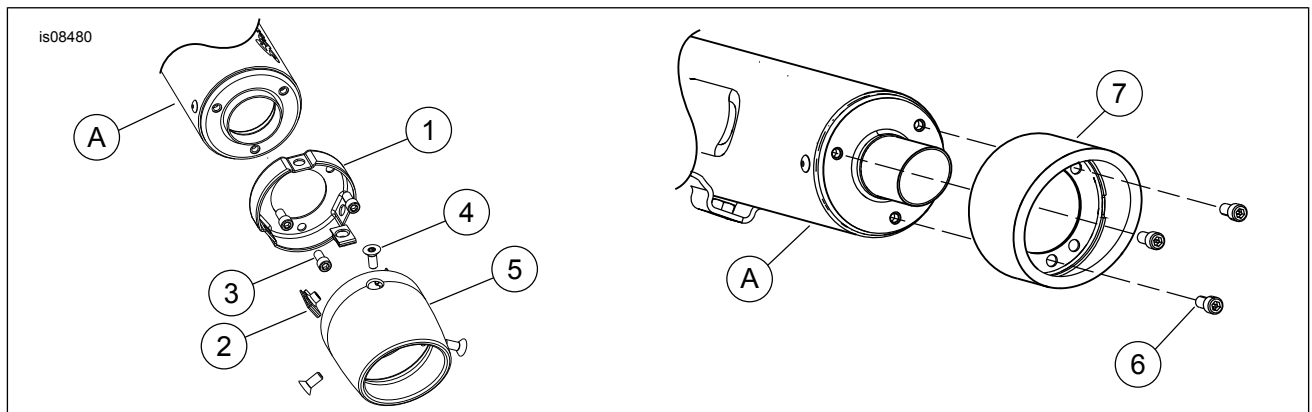


Figure 1. Service Parts: Screamin'Eagle Street Performance 3.25-Inch Muffler End Caps

Table 1. Service Parts: Screamin'Eagle Street Performance 3.25-Inch Muffler End Caps

Kit	Item	Description (Quantity)	Part Number
Kit 65100048 Kit 65100049	1	Attachment ring	Not sold separately
	2	U-nut (3)	8146
	3	Socket head screw (3)	9493
	4	Countersunk screw (3)	2225
	5	End cap	Not sold separately

Table 1. Service Parts: Screamin'Eagle Street Performance 3.25-Inch Muffler End Caps

Kit	Item	Description (Quantity)	Part Number
Kit 65100107	1	Attachment ring	Not sold separately
	2	U-nut (3)	8146
	3	Socket head screw (3)	9493
	4	Countersunk screw (3)	10200584
	5	End cap	Not sold separately
Kit 65100044	6	Screws (6)	9493
Kit 65100063	7	End cap	Not sold separately
Parts referenced in text but not included in kit:			
	A	Muffler	