



# INSTRUCTIONS

-J05629

2015-03-17

## SCREAMIN' EAGLE HIGH-FLOW EXHAUST SYSTEM - TOURING

### GENERAL

#### Kit Numbers

64800022, 64800043, 64800044

#### Models

For model fitment information, see the P&A retail catalog or the Parts and Accessories section of [www.harley-davidson.com](http://www.harley-davidson.com) (English only).

#### Installation Requirements

Either Permatex<sup>®</sup> Anti-Seize Lubricant (Part No. 98960-97) or Loctite<sup>®</sup> SILVER GRADE Anti-Seize Lubricant (Part No. 11100001) is required for proper installation of this kit.

#### ⚠ WARNING

The rider's safety depends upon the correct installation of this kit. Use the appropriate service manual procedures. If the procedure is not within your capabilities or you do not have the correct tools, have a Harley-Davidson dealer perform the installation. Improper installation of this kit could result in death or serious injury. (00333a)

#### NOTE

This instruction sheet refers to service manual information. A service manual for this year/model motorcycle is required for this installation. One is available from a Harley-Davidson dealer.

#### Kit Contents

See Figure 3 and Table 1.

### PRODUCT INFORMATION

#### Tampering Prohibition

Federal law prohibits any modifications to this exhaust system which cause the motorcycle to exceed Federal noise standards. Use of a motorcycle with such a modified exhaust system is also prohibited.

#### Noise Emission Warranty

Harley-Davidson warrants that these mufflers, at the time of sale, meet all applicable United States E.P.A. Federal Noise and Emissions standards. This warranty extends to the original purchaser for purposes other than resale, and to all subsequent buyers. Direct warranty claims to an authorized Harley-Davidson dealer.

#### NOTE

To avoid penalties under state and local ordinances, repair or replace this product if motorcycle noise increases significantly through use.

### PREPARATION

#### ⚠ WARNING

To prevent accidental vehicle start-up, which could cause death or serious injury, remove main fuse before proceeding. (00251b)

#### NOTE

- **WITH security siren:** With security fob present, turn ignition switch ON. See the service manual. After system is disarmed, turn ignition switch OFF. **IMMEDIATELY** remove the main fuse.
- **WITHOUT security siren:** See the service manual. Remove main fuse.

### INSTALLATION

1. Remove saddlebags per the service manual.
2. See the service manual. Remove the original equipment (OE) exhaust system. Save exhaust flanges ( Figure 1, item 3) and mounting hardware for later installation.
3. See the service manual. Remove oxygen (O<sub>2</sub>) sensors. Save for installation.
4. See Figure 2. Remove exhaust bracket (9) at the rear of transmission case (5). Discard bracket and fasteners.
5. See Figure 1. Remove pipe shields (6 and 7) and clamps (4) from front and rear head pipes. Save pipe shields and clamps for later installation.
6. Remove collector shield (1). Remove and save clamps (5). Discard collector shield.
7. See the service manual. Install O<sub>2</sub> sensors in new head pipe. Tighten to 16–19 N·m (12–14 ft-lbs).
8. Apply Anti-Seize Lubricant to O<sub>2</sub> sensor plugs (10). Install seal rings (11) and O<sub>2</sub> sensor plugs into ARF data monitoring ports. Tighten to 40–60 N·m (30–44 ft-lbs).
9. See the service manual. Loosely install new head pipe (13).
10. See Figure 1. Loosely install transmission exhaust bracket bolt (2) and nut (9).
11. See the service manual and Figure 2. Loosely install new cross-under exhaust pipe (10) and clamp (6).
12. Verify that the holes of the exhaust pipe bracket align with the mounting holes in the transmission (5). Loosely install new flange screws (9).

-J05629



Many Harley-Davidson<sup>®</sup> Parts & Accessories are made of plastics and metals which can be recycled. Please dispose of materials responsibly.

1 / 4

13. See Figure 1. Tighten exhaust manifold nuts (8) to 11.3–13.6 N·m (100–120 **in-lbs**).
14. Tighten the transmission exhaust bracket bolt (2) and nut (9) to 27–34 N·m (20–25 **ft-lbs**).
15. Check the cross-under exhaust pipe alignment. Verify that the exhaust pipe is not bound or stressed.
16. See Figure 2. Tighten flange screws (9) to 9.5–14.9 N·m (84–132 **in-lbs**).
17. Tighten the cross-under exhaust pipe clamp (6) to 47.5 N·m (35 **ft-lbs**).
18. Install new muffler clamps onto mufflers and slide onto headpipes.
19. See the service manual. Install mufflers (3).
20. See the service manual. Route and connect O2 sensor wiring.
21. See Figure 1. Install collector shield (1) using worm drive clamps (5) and (4) removed earlier. Tighten to 2.2–4.5 N·m (20–40 **in-lbs**).

22. See Figure 2. Install cross-under exhaust pipe shield (2) using worm drive clamps (1) removed earlier. Tighten to 2.2–4.5 N·m (20–40 **in-lbs**).
23. See Figure 1. Install pipe shields (6 and 7) using worm drive clamps (4) removed earlier. Tighten to 2.2–4.5 N·m (20–40 **in-lbs**).

**NOTICE**

**Wipe all fingerprints off of exhaust system components after installation and before starting engine. Oil from hands can leave permanent marks on exhaust system finish. (00346a)**

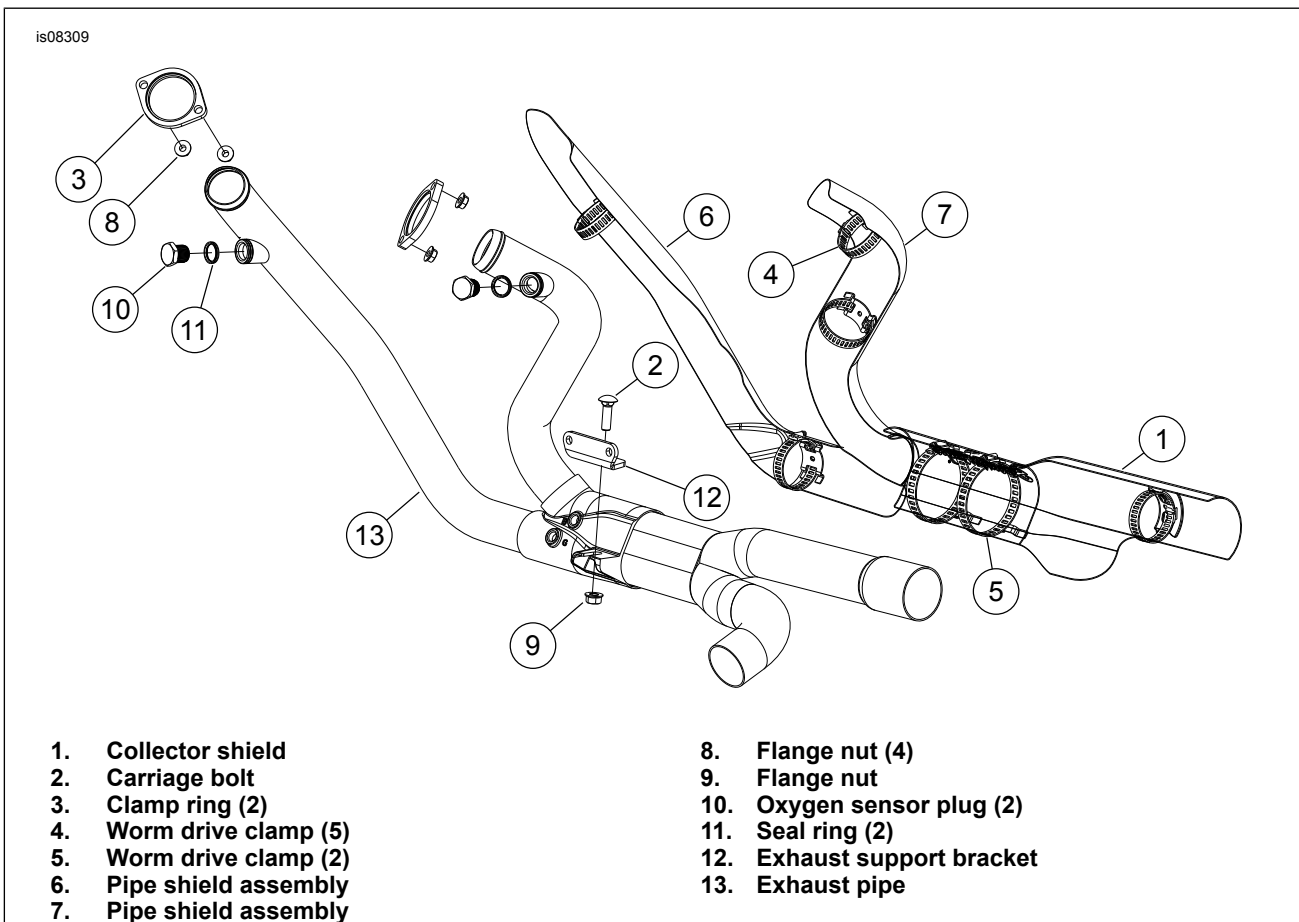
24. Wipe exhaust system clean.

**COMPLETION**

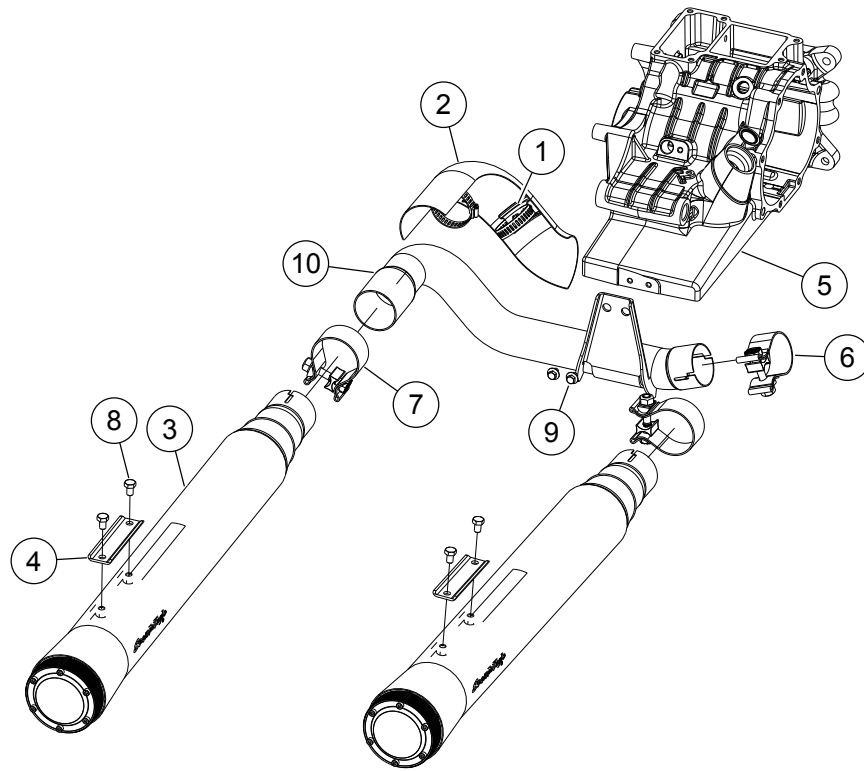
*NOTE*

Verify that the ignition is **OFF** before installing the main fuse.

1. Install main fuse.
2. Start motorcycle. Check for exhaust leaks.
3. See the service manual. Install saddlebags.



**Figure 1. Header Pipe Installation**



- |  |                              |
|--|------------------------------|
| 1. Worm drive clamp (2)                  | 6. Muffler clamp             |
| 2. Pipe shield, cross-under exhaust pipe | 7. Muffler clamp (2)         |
| 3. Muffler (2)                           | 8. Screw (4)                 |
| 4. Muffler mounting bracket (2)          | 9. Flange screw (2)          |
| 5. Transmission                          | 10. Cross-under exhaust pipe |

Figure 2. Cross-Under Exhaust Pipe Installation

## SERVICE PARTS

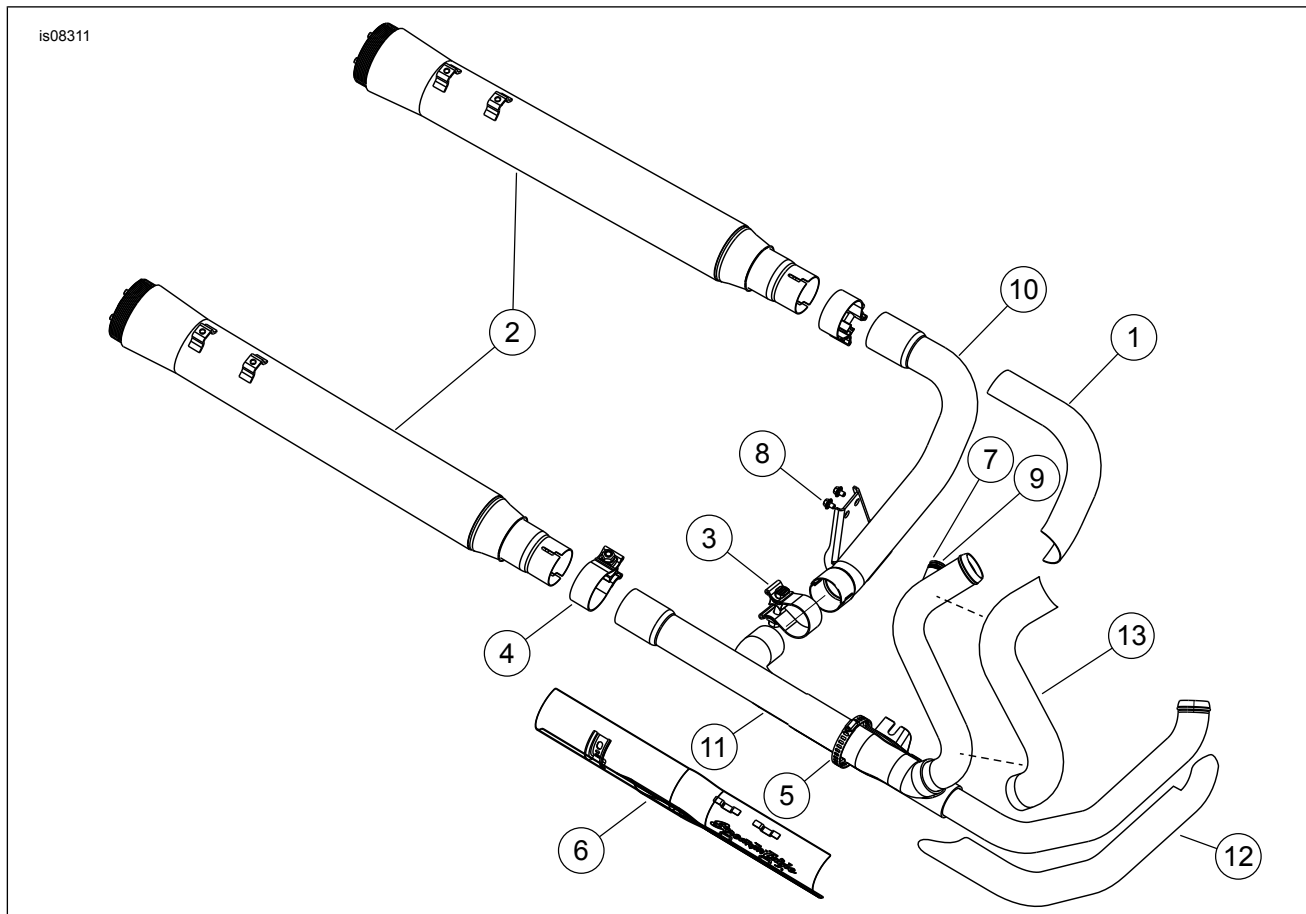


Figure 3. Service Parts: Screamin' Eagle High-Flow Exhaust System - Touring

Table 1. Service Parts

Item	Description (Quantity)	Part Number
1	Pipe shield, left (chrome) Pipe shield, left (black)	65400156 65400229
2	Muffler assembly, disc style (chrome) (2) Muffler kit, end cap style (left/right, chrome) Muffler kit, end cap style (left/right, black)	64900203 64900397 64900398
3	Muffler clamp	65900009
4	Muffler clamp (2)	65900010
5	Worm drive clamp	9956
6	Collector shield (chrome) Collector shield (black)	65400164 65400228
7	Oxygen sensor plug (2)	65835-09
8	Screw, flange	3563
9	Seal ring	27714-06
10	Exhaust pipe, left	64800020
11	Exhaust pipe	Not sold separately
12	Pipe shield kit (black)	64981-09