



INSTRUCTIONS

-J04235

REV. 2008-07-23

LEFT SIDE TOOLBOX KIT

GENERAL

Kit Number

64230-08

Models

For model fitment information, see the P&A Retail Catalog or the Parts and Accessories section of www.harley-davidson.com (English only).

Additional Parts Required

When installing this kit with passenger footrests, an additional Hex Spacer Kit (49352-00) must be purchased. This kit is not required if the Toolbox Kit is installed on models with Passenger Footboard Kit (50602-00). These kits are available at a Harley-Davidson dealer.

FLSTSB requires button head screw (94399-92T), chrome washer (6595HB) and Loctite® 262 Threadlocker and Sealant.

NOTE

Lock mechanism accepts all Harley-Davidson barrel style ignition keys.

Kit Contents

See Figure 1 and Table 1.

INSTALLATION

NOTE

Be careful not to scratch toolbox surface while performing this installation.

1. See Figure 1. Attach toolbox (1) on toolbox mounting bracket (3) using three pan head screws (4) and locknuts (5).
2. **For models with passenger footboards:**
 - a. See Figure 1. Remove screw that secures passenger footboard assembly to frame (E).
 - b. Remove footboard assembly. Refer to Passenger Footboard Kit (50602-00) for instructions. Note orientation of footboard for kit installation. Save parts for kit installation.
3. **For all 2008 models with passenger footrests:**
 - a. See Figure 1. Remove retaining ring (F), clevis pin (G), spring washer (H), and footrest (J).
 - b. Remove screw (K) that secures the footrest support (L) to the frame (E).

4. Install toolbox mounting bracket as follows:
 - a. Remove one of the fender support screws (A) and washers (B). Only remove one screw and washer.
 - b. From the kit, install mounting bracket (3), one chrome washer (7) and one chrome screw (8). Hand-tighten screw at this time.
 - c. Remove and discard the remaining original screw (A) and washer (B) from the fender support.
 - d. Rotate the mounting bracket in-line with the remaining hole and install the chrome washer (7) and chrome screw (8) from the kit. Hand-tighten bolt at this time.

WARNING

Footrests must fold up and toward rear of motorcycle if struck. Failure to set footrests to fold up and back could result in death or serious injury. (00366a)

5. **For models with passenger footrests:**
 - a. See Figure 1. Install Hex Spacer Kit (49352-00) following instructions included with kit.
 - b. Install the footrest support (L) and footrest (J) to the hex spacer (M).
- For models with passenger footboards:**
 - a. See Figure 1. Install the footboard assembly (Kit 50602-00) to the toolbox mounting bracket (3) in same orientation prior to removal.
 - b. Install the passenger footboard assembly screw and tighten to 35-45 ft-lbs (47.5-61.0 Nm).
- For FLSTSB without passenger footrests:**
 - a. See Figure 1. Apply 2 or 3 drops of Loctite 262 to screw (9). Install screw (9) and washer (10) and tighten to 10-15 ft-lbs.
6. Tighten both fender support screws (8) to 30-35 ft-lbs (40.6-47.0 Nm). Loosen one screw and retighten to 38-42 ft-lbs (52.0-57.0 Nm). Repeat for the other screw.

NOTE

Maximum toolbox weight capacity is 5 lbs (2.25 Kg).

SERVICE PARTS

is04505a

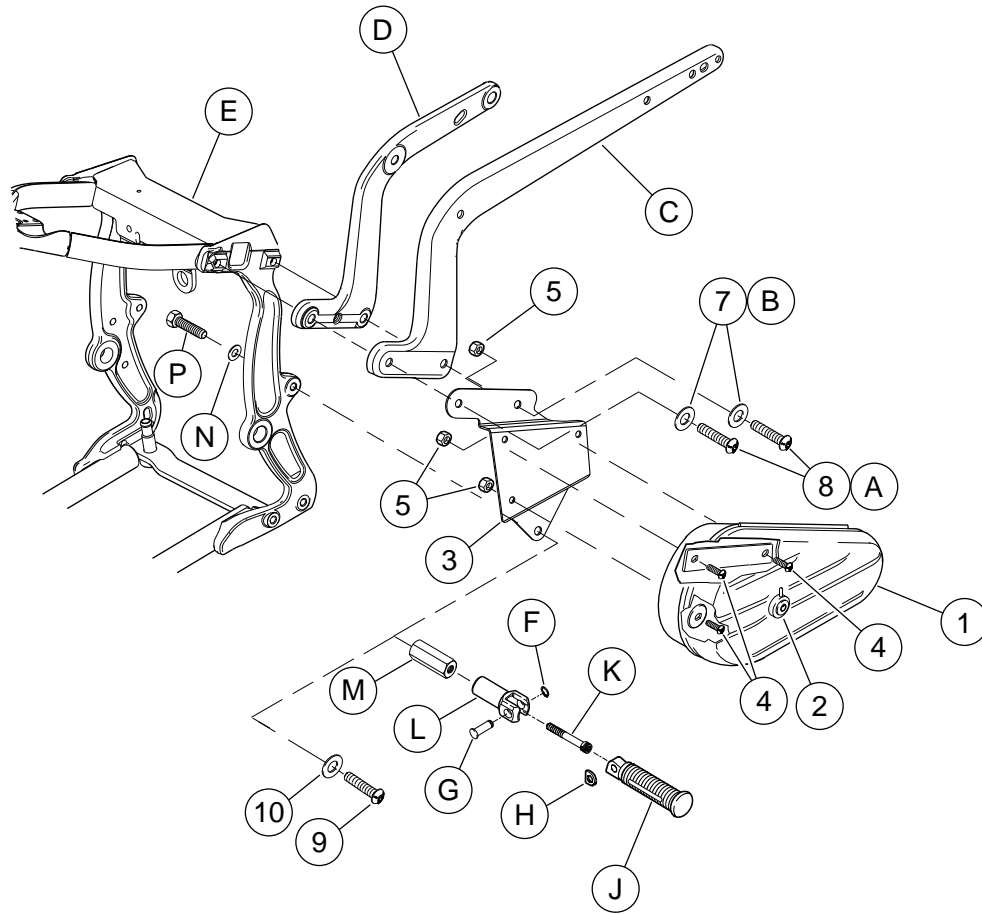


Figure 1. Service Parts: Left Side Toolbox Kit

Table 1. Service Parts: Left Side Toolbox Kit

Item	Description (Quantity)	Part Number	Item	Description (Quantity)	Part Number
1	Toolbox (includes item 2)	64206-89A	C	Fender support cover	
2	Lock, toolbox	45797-99	D	Fender support	
3	Bracket, toolbox mounting	64232-08	E	Frame	
4	Screw, pan head (3)	2774	F	Ring, retaining	
5	Locknut (3)	7686	G	Clevis pin	
6	Key (not shown)	64204-96	H	Spring washer	
7	Chrome washer (2)	6595HB	J	Footrest	
8	Screw, button head, TORX® (2)	3086	K	Screw	
9	Screw (not in kit, sold separately)	94399-92T	L	Support, footrest	
10	Chrome washer (not in kit, sold separately)	6595HB	M	Spacer, hex (included in Kit 49352-00)	
Item mentioned in text, but not included in kit:			N	Washer (included in Kit 49352-00)	
A	Screw, fender support (2)		P	Screw (included in Kit 49352-00)	
B	Washer (2)				