



# INSTRUCTIONS

-J04236

REV. 2009-07-02

## RIGHT SIDE TOOLBOX KIT

### GENERAL

#### Kit Number

64227-08

#### Models

For model fitment information, see the P&A Retail Catalog or the Parts and Accessories section of [www.harley-davidson.com](http://www.harley-davidson.com) (English only).

#### Additional Parts Required

**For Models with Passenger Footrests:** Separate purchase of a Hex Spacer Kit (49352-00) is required for proper installation of this kit. The Hex Spacer Kit is not required if this Toolbox Kit is installed on models with Passenger Footboard Kit (50602-00). These kits are available at a Harley-Davidson dealer.

#### NOTE

*Lock mechanism accepts all Harley-Davidson barrel-style ignition keys.*

#### Kit Contents

See Figure 1 and Table 1.

### INSTALLATION

#### NOTE

*Be careful not to scratch toolbox surface while performing this installation.*

- See Figure 1. Attach toolbox (1) to toolbox mounting bracket (3) using three pan head screws (4) and locknuts (5).
- For models with passenger footboards:**
  - See Figure 1. Remove screw that secures passenger footboard assembly to frame (E).
  - Remove footboard assembly. Refer to Passenger Footboard Kit (50602-00) for instructions. Note orientation of footboard for kit installation. Save parts for kit installation.
- For all 2008 models with passenger footrests:**
  - See Figure 1. Remove retaining ring (F), clevis pin (G), spring washer (H) and footrest (J).
  - Remove screw (K) that secures the footrest support (L) to the frame (E).
  - Remove the screw and washer that secures the bottom of the splash guard to swingarm. Save all parts for kit installation.

- Install toolbox mounting bracket as follows:
  - Remove one of the fender support screws (A) and washers (B). Only remove one screw and washer.
  - Install mounting bracket (3), one chrome washer (7) and one chrome screw (8) from the kit. Hand-tighten screw.
  - Remove and discard the remaining original screw (A) and washer (B) from the fender support.
  - Rotate the mounting bracket in-line with the remaining hole and install chrome washer (7) and chrome screw (8) from the kit. Hand-tighten screw.

### WARNING

**Footrests must fold up and toward rear of motorcycle if struck. Failure to set footrests to fold up and back could result in death or serious injury. (00366a)**

#### NOTE

*It may be necessary to move the splash guard aside to install the Hex Spacer Kit.*

- For models with passenger footrests:**
  - See Figure 1. Install Hex Spacer Kit (49352-00) following instructions included with kit.
  - Install the footrest support (L) and the footrest (J) to the hex spacer (M).
  - Secure the splash guard to the swingarm with the previously removed screw and washer. Tighten screw to 36-48 **in-lbs** (4.1-5.4 Nm).
- For models with passenger footboards:**
  - See Figure 1. Install the footboard assembly (from Kit 50602-00) to the toolbox mounting bracket (3) in same orientation prior to removal.
  - Install passenger footboard assembly screw and tighten to 35-45 ft-lbs (47.5-61.0 Nm).
- Tighten both fender support screws (8) to 30-35 ft-lbs (40.5-47.5 Nm). Loosen one screw and tighten again to 38-42 ft-lbs (52.0-57.0 Nm). Repeat for the other screw.

#### NOTE

*Maximum toolbox weight capacity is 5 lbs (2.25 Kg).*

# SERVICE PARTS

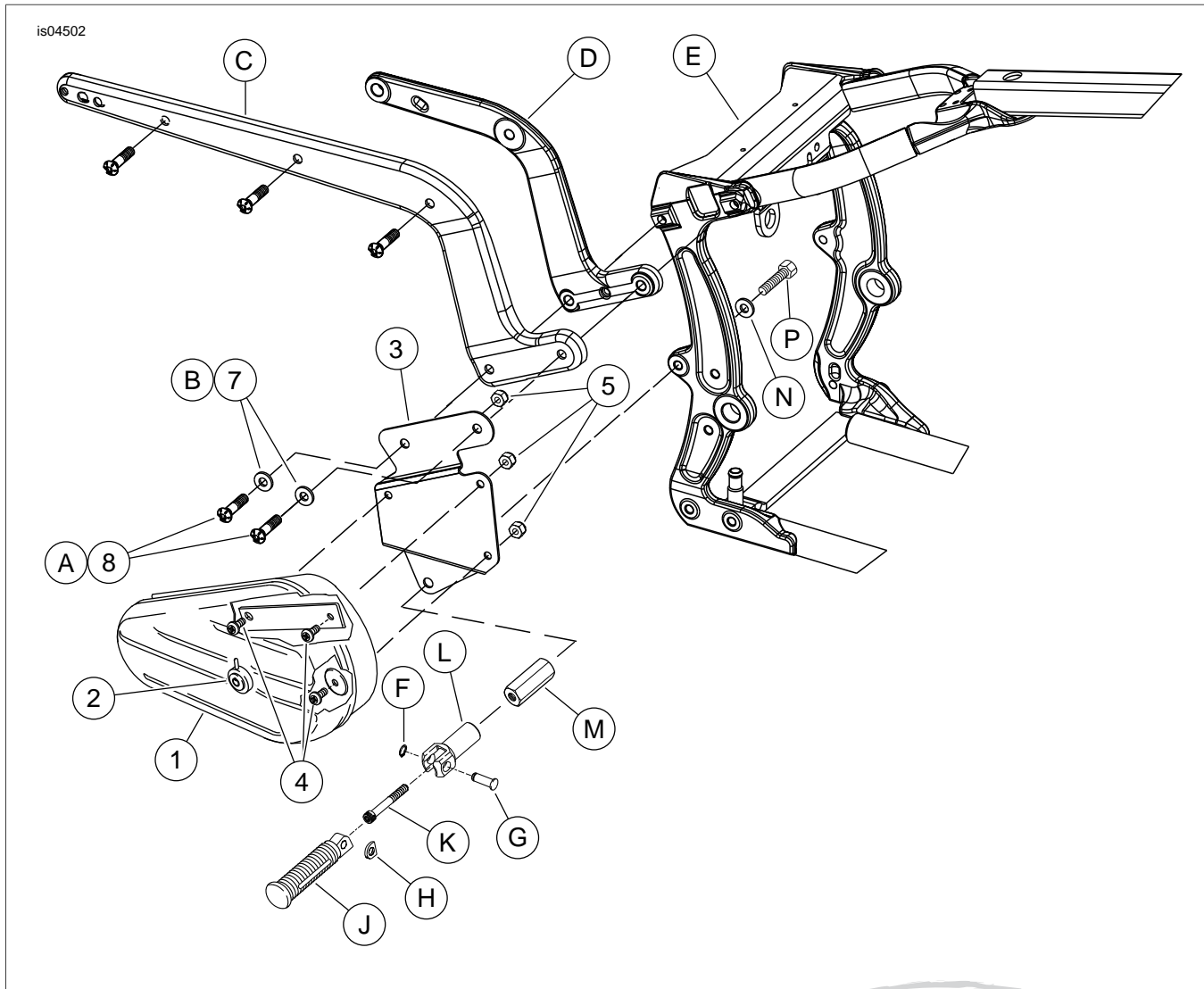


Figure 1. Service Parts: Right Side Toolbox Kit

Table 1. Service Parts: Right Side Toolbox Kit

Item	Description (Quantity)	Part Number	Item	Description (Quantity)	Part Number
1	Toolbox (includes item 2)	Not Sold Separately	E	Frame	
2	Lock, toolbox	45797-99	F	Ring, retaining	
3	Bracket, toolbox mounting	Not Sold Separately	G	Clevis pin	
4	Screw, pan head (3)	2774	H	Spring washer	
5	Locknut (3)	7686	J	Footrest	
6	Key (2), (not shown)	64204-96	K	Screw	
7	Chrome washer (2)	6595HB	L	Support, footrest	
8	Screw, button head, TORX® (2)	3086	M	Spacer, hex (included in Kit 49352-00 - purchased separately)	
<b>Item mentioned in text, but not included in kit:</b>			N	Washer (included in Kit 49352-00 - purchased separately)	
A	Screw, fender support (2)		P	Screw (included in Kit 49352-00 - purchased separately)	
B	Washer (2)				
C	Fender support cover				
D	Fender support				