



INSTRUCTIONS

-J04242

REV. 2007-07-17

CHROME OIL COOLER COVER

GENERAL

Kit Number

63087-07

Models

For model fitment information, please see the P&A Retail Catalog or Parts and Accessories section of www.harley-davidson.com (English only).

Additional Parts Required

Harley-Davidson® High-Performance Sealant - Gray (part number 99650-02)

WARNING

The rider's safety depends upon the correct installation of this kit. If the procedure is not within your capabilities or you do not have the correct tools, have a Harley-Davidson dealer perform the installation. Improper installation of this kit could result in death or serious injury. (00308a)

Kit Contents

See Figure 3 and Table 1.

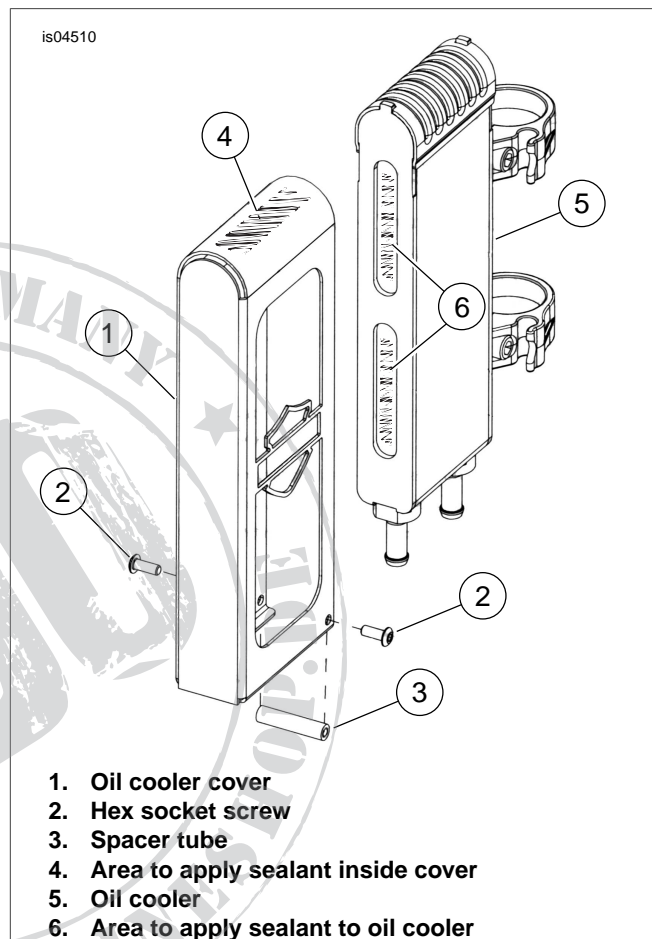
INSTALLATION

1. See Figure 1. Thoroughly clean oil cooler (5) of all dirt, grease and wax. Rubbing alcohol can be used to clean oil cooler. Be certain that chrome oil cooler cover (1) is dry and free of dirt, oil or grease. Rubbing alcohol can be used to clean chrome cover.
2. Apply High-Performance Sealant to area (4) inside of chrome cover as shown.
3. Apply High-Performance Sealant to area (6) on oil cooler as shown.
4. Slip cover over oil cooler. Remove any excess sealant from front and back of oil cooler. Care should be taken to avoid getting sealant on fins of oil cooler. Hold chrome cover firmly in place for one minute.
5. Install spacer (3) to cover and secure with hex socket screws (2). Tighten screws to 24-27 **in-lbs** (2.7-3.1 Nm).

NOTE

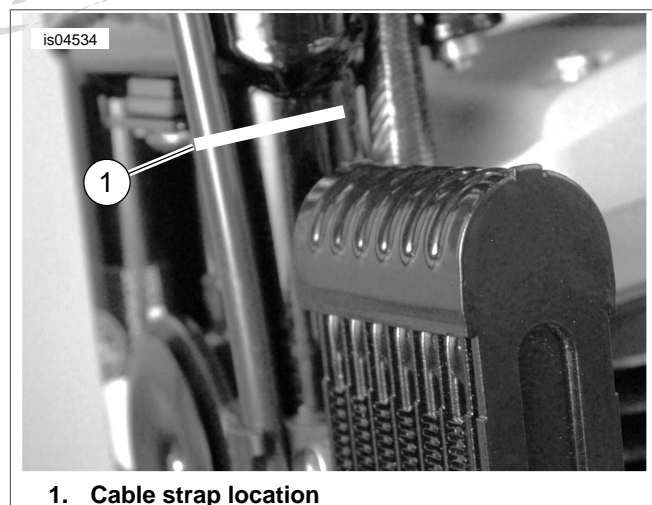
Do not drive motorcycle for 24 hours to allow sealant to fully cure.

6. See Figure 2. Secure clutch cable to frame downtube using cable strap just above oil cooler cover.



1. Oil cooler cover
2. Hex socket screw
3. Spacer tube
4. Area to apply sealant inside cover
5. Oil cooler
6. Area to apply sealant to oil cooler

Figure 1. Install Oil Cooler Cover

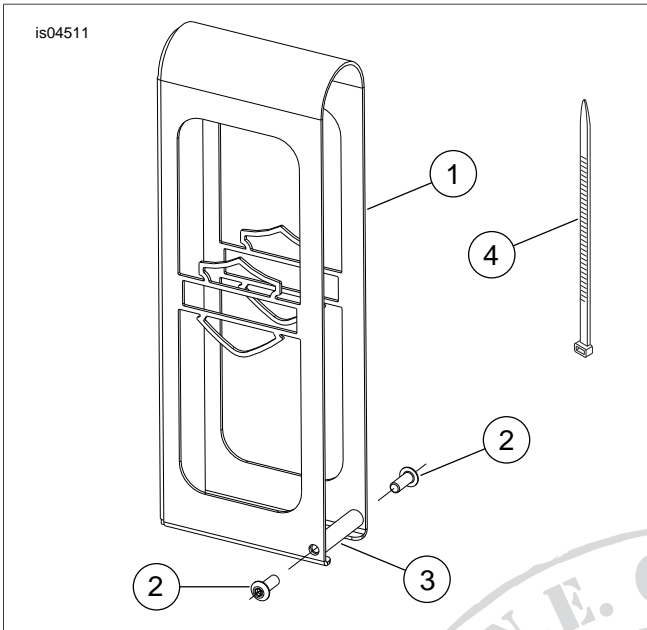


1. Cable strap location

Figure 2. Cable Strap to Clutch Cable

SERVICE PARTS

Table 1. Service Parts



Item	Description (Quantity)	Part Number
1	Cover, oil cooler, chrome	Not Sold Separately
2	Screw, hex socket head (2)	94381-92T
3	Spacer tube	11828
4	Cable strap	10246

Figure 3. Service Parts: Chrome Oil Cooler Cover

